

STRATFORD PARCEL MAILBOX

This sturdy but elegant parcel mailbox will keep your packages inside and hidden from your open porch and the possible stray dog roaming the neighborhood. The Stratford has two compartments; the upper mailbox is for basic letters, envelopes, magazines, and the lower is for packages. Keys come for the lock on the back of the box to access your deliveries and an additional matching key for the mailbox compartment on the front.

Cut and built from steel, our outdoor products are shaped, welded, finished, and packaged exclusively at Bold's manufacturing facility in Austin, Texas.



CLOSED



MAIL DROP



PACKAGE DROP

STRATFORD PARCEL MAILBOX

We build and deliver this mailbox with hot rolled steel and thus will have varying patterns of colors and heat marks that make our items unique. This dark gray color called mill scale will gradually change to a deep brown natural rust color. The length of this process will vary depending on the climate where the mailbox is installed.

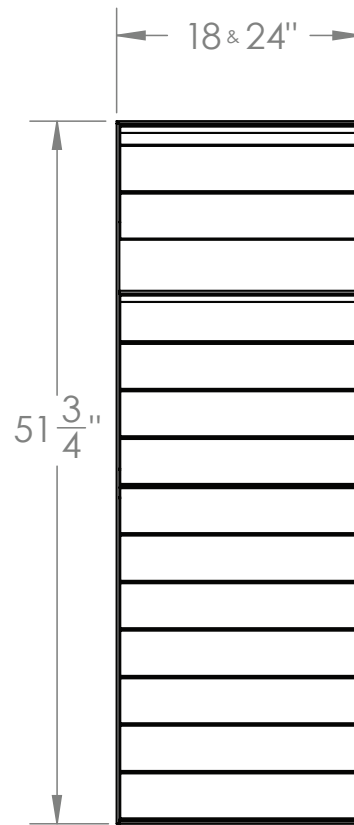
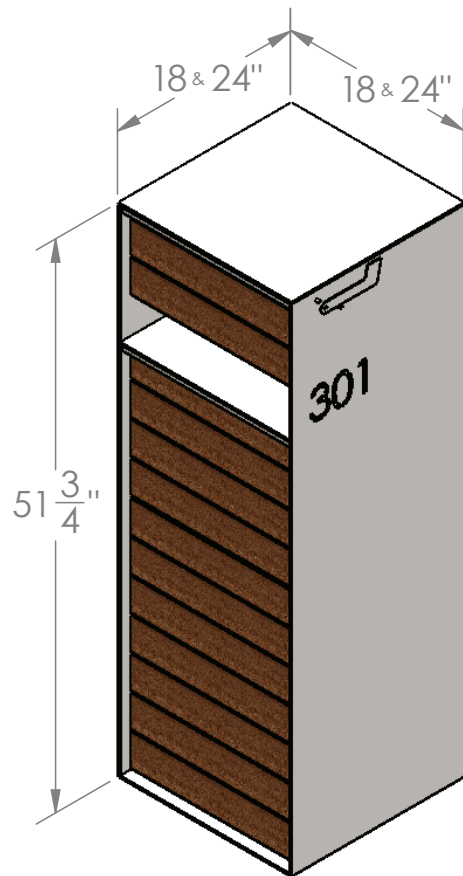
The Stratford should be anchored as is to any existing concrete or stone pad.

STRATFORD PARCEL - 18: WEIGHT: 285 lbs. Mild Steel | DIMENSION: 18"D x 18"W x 51.75"H

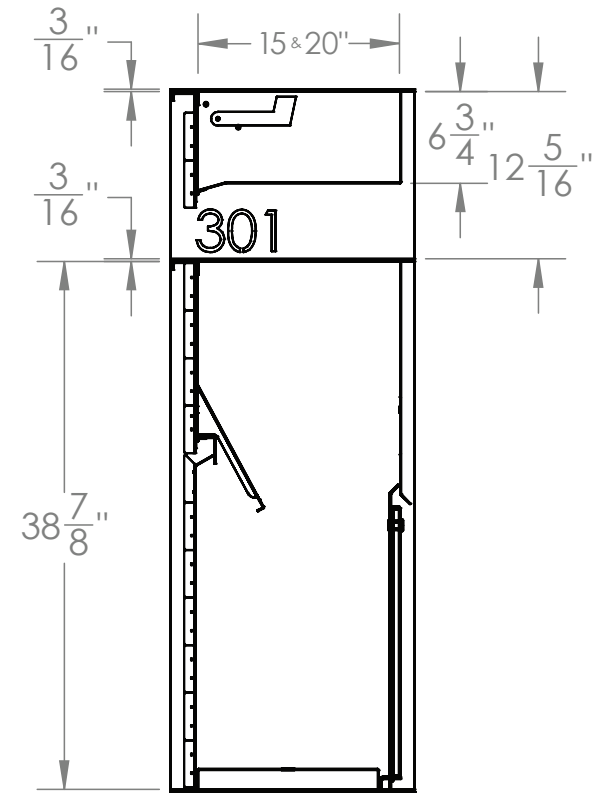
STRATFORD PARCEL - 24: WEIGHT: 375 lbs. Mild Steel | DIMENSION: 24"D x 24"W x 51.75"H

*Brazilian Ipe wood front - Oiled finish with Cabbot Tiber Oil

*Hot Rolled Steel - Raw finish - WILL RUST



FRONT



SIDE