



Making **your seeding**
program more efficient.

2021

**SEEDING
PROGRAM**



CONTENTS

3	POINT BOOT KITS	13	POINTS
3	CULTIVATORS	13	AUSPLOW
4	POINTS	14	CONSERVA-PAK
4	SLOT MATE	14	PARTS TO SUIT CONSERVA-PAK / JD 1870 BARS
6	BOLT ON / WEDGES	15	PRESS WHEELS
7	EZI FIT SYSTEM	15	SINGLE SYSTEM
7	SINGLE BOLT ON	16	COULTERS
7	SEED DRILLS	16	TWIN DISC COULTER SYSTEM
8	SEED BOOTS	17	AIRGUARD
8	CONVENTIONAL	17	SEED BRAKES
10	INLINE SERIES	18	AIRGUARD
11	SEEDING KITS	18	BLOCKAGE PREVENTION SYSTEMS
11	BOURGAULT PARALINK	19	FASTENERS / PARTS / ACCESSORIES
12	MORRIS		
12	PARTS		

ABOUT US

Founded in 1995, Maxipoint is a family run business with a mission to help farmers increase efficiency in their seeding programs.

Through 25 years of experience we have been able to manufacture a line of products that meets the key requirements to help us achieve our mission; durability, high value, accuracy, and simplicity.

AUSTRALIAN OWNED AND OPERATED



In this catalogue, we refer to the names and trade marks of a number of machinery suppliers for the purpose of identifying the machines with which our parts can be used. There is no relationship between Maxipoint and these machinery suppliers and the use of our parts has not necessarily been approved by such suppliers. However, Maxipoint does endeavour to work closely with seeding bar manufacturers to design seeding tools that are suitable for Australian conditions and fit within the working parameters of the seeding bar.

POINT BOOT KITS CULTIVATORS

KIT INCLUDES POINT, ADAPTOR, TYNE FRAME, BACKSHOOT AND FASTENERS

- **OVER 20 POINTS & 7 BACKSHOOTS TO CHOOSE FROM**
- **ACCURATE SEED PLACEMENT IN THE TOUGHEST CONDITIONS**

VERSATILE DURABLE SIMPLE

BOOT KIT CHECKLIST

SYSTEM

- Single Shoot
- Double Shoot

SEED HOSE OD

- Single Shoot
- Double Shoot

BACKSHOOT

- 50mm Single Row
- 30mm Single Row
- 20mm Narrow
- 40mm Paired Row
- 70mm Paired Row
- Side Banded
- Flexi

POINT

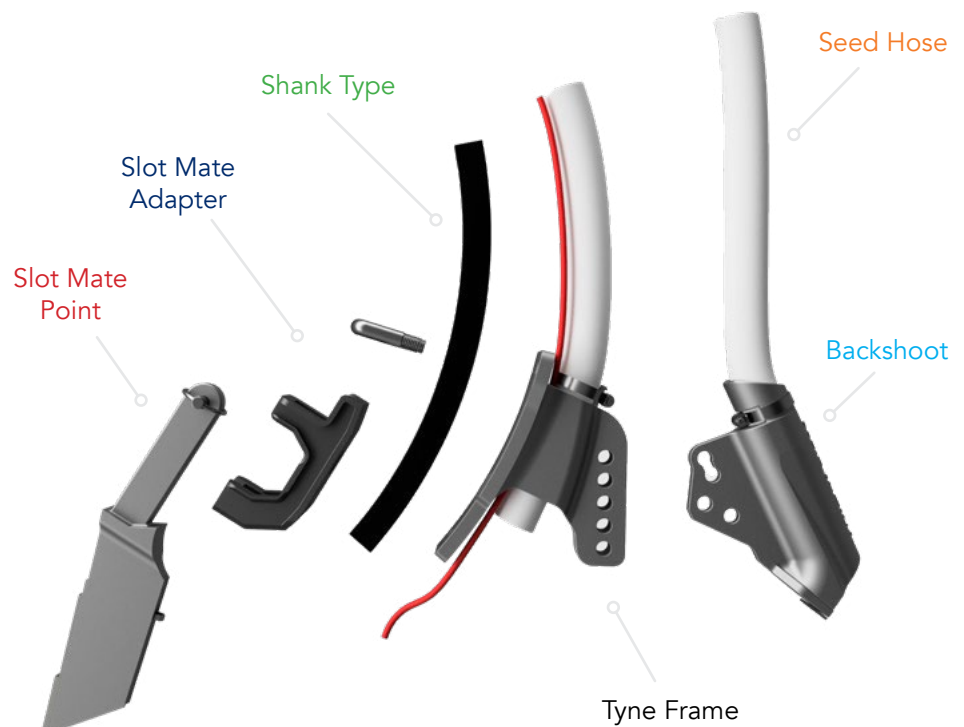
- SMV
- SMV 15mm
- SMV SLL (add \$20)
- SMV Short
- SMS
- SMS 15mm
- SMS SLL (add \$20)
- SMD
- SMF (add \$6)
- SM Razor 15mm (add \$10)
- SM Razor SLL (add \$30)

Other:

SHANK TYPE

- C Shank 1/2"
- C Shank 7/16"
- Horwood Curved
- Horwood Straight
- Gason
- Simplicity
- Flexicoil Edge On

Other:



SINGLE SHOOT

	PART	PRICE
Single Shoot Single Row Point & Boot Kit	PB-1000	\$165
Single Shoot Paired Row Point & Boot Kit	PB-1100	\$185
Single Shoot Flexi Point & Boot Kit	PB-1200	\$189

DOUBLE SHOOT

Double Shoot Single Row Point & Boot Kit	PB-2000	\$182
Double Shoot Paired Row Point & Boot Kit	PB-2100	\$202
Double Shoot Flexi Point & Boot Kit	PB-2200	\$207

All Point & Boot Kits Include:

- Boot Kit
- Slot Mate Adaptor
- Lynch Pin
- Slot Mate Knife Point
- 2 x 2 3/4 x 1/2 Gr.8 Hex Bolt/Nut
- Other Bolts and Nuts to suit

POINTS SLOT MATE



1 ADAPTOR 20+ POINTS

Slot Mate Vertical 12mm



Depth: 7" Angle: 70°

PT-1SMV **\$58**

Slot Mate Vertical 15mm



Depth: 7" Angle: 70°

PT-1SMV5 **\$62**

Slot Mate Vertical SLL



Depth: 7" Angle: 70°

PT-1SMV8 **\$82**

Slot Mate V Short 12mm



Depth: 5" Angle: 70°

PT-1SMVC **\$58**

Slot Mate V Short 15mm



Depth: 5" Angle: 70°

PT-1SMV5C **\$62**

Slot Mate Straight 12mm



Depth: 7" Angle: 60°

PT-1SMS **\$58**

Slot Mate Straight 15mm



Depth: 7" Angle: 60°

PT-1SMS5 **\$62**

Slot Mate Straight SLL



Depth: 7" Angle: 60°

PT-1SMS8 **\$82**

Slot Mate Dyna



Depth: 6" Angle: 65°

PT-1SMDD **\$60**

Slot Mate Flexi



Depth: 6" Wing: 60mm

PT-1SMF **\$73**

Slot Mate Razor 15mm



Depth: 7"

PT-1085 **\$68**

Slot Mate Razor SLL



Depth: 7"

PT-1086 **\$88**

SLOT MATE TUNGSTEN OPTIONS

12mm



15mm



SLL



SLL = Super Long Life.
All SLL points include
hardfacing on each side
of the point.

POINTS SLOT MATE

GET THE RIGHT POINT FOR YOUR PROGRAM DESIGNED FOR THE TOUGHEST CONDITIONS

Slot Mate Sweep 4"



PT-2020 \$46

Slot Mate Sweep 6"



PT-2021 \$48

Slot Mate Sweep 8"



PT-2022 \$50

Slot Mate Sweep 10"



PT-2023 \$52

Slot Mate Sweep 12"



PT-2024 \$58

Slot Mate Ezi



PT-SMEA \$20

Slot Mate Adaptor 7/16



PT-1SMA7/16 \$10

Slot Mate Adaptor 1/2



PT-1SMA1/2 \$10

Trash Guard



PT-2002 \$26

Side Plates



PT-UPS \$18

UPGRADES

Hardfacing



PT-UPH \$10

Liquid Tube Holder - Nut



PT-UPN \$3.00

Liquid Tube Holder - Block



PT-UPB \$14

PINS

Lynch Pin



FA-0802 \$1.00

HD Lynch Pin



FA-0803 \$2.00

Leech Pin



FA-0804 \$8.00

POINTS BOLT ON / WEDGES



TRIED TESTED TRUSTED

- MANUFACTURED BY MAXIPOINT FOR OVER 20 YEARS
- SUIT MOST CULTIVATOR SHANKS

Dyna Blade Curved



Depth: 6" Angle: 65°

PT-112A **\$66**

Dyna Blade Flat



Depth: 6" Angle: 65°

PT-112B **\$66**

Ezi Blade Vertical



Depth: 6" Angle: 65°

PT-113V **\$61**

Ezi Blade Vertical Short



Depth: 6" Angle: 65°

PT-113VC **\$61**

Ezi Blade Straight



Depth: 6" Angle: 65°

PT-113S **\$61**

Ezi Blade Straight Short



Depth: 6" Angle: 65°

PT-113SC **\$61**

Flexi Plus 1/2"



Wing: 60mm

PT-105A **\$72**

2 Bolt Curved Adaptor



PT-1E48 **\$39**

Wedge Adaptor



PT-1EWA **\$24**

Wedge 1/2 x 45



PT-1MW1 **\$18**

Wedge 7/16 x 45



PT-1MW2 **\$18**

Wedge 1/2 x 57



PT-1MW3 **\$18**

POINTS EZI FIT SYSTEM

Ezi Ripper



Depth: 4"

PT-10ER **\$51**

Ezi Seeder



Depth: 4" Wing: 60mm

PT-10ES **\$55**

Deep Ripper



Depth: 5"

PT-10DR **\$55**

Deep Seeder



Depth: 5" Wing: 60mm

PT-10DS **\$55**

Roll Pin



PT-10EP **\$1.00**

SINGLE BOLT ON

Maxi Seeder



Bolt: 7/16" Wing: 45mm

PT-1001 **\$57**

Maxi Knife



Bolt: 7/16"

PT-1002 **\$49**

Maxi Plus



Bolt: 7/16" Wing: 60mm

PT-1004 **\$63**

7/16 x 2 1/4



FA-0315 **\$1.10**

7/16" Nyloc Nut



FA-0409 **\$0.40**

1 bolt Ripper



Bolt: 7/16"

PT-1007 **\$50**

Scari Ripper



Bolt: 1/2"

PT-1009 **\$58**

Scari Ripper Winged



Bolt: 1/2" Wing: 60mm

PT-1011 **\$68**

1/2 x 2 1/4



FA-0321 **\$1.00**

1/2" Nyloc Nut



FA-0410 **\$0.40**

SEED DRILLS

Pasture Point



PT-1014 **\$54**

Pasture Point Duncan



PT-1015 **\$54**

Pasture Point Knife



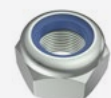
PT-1022 **\$45**

M10 x 60 Hex Bolt



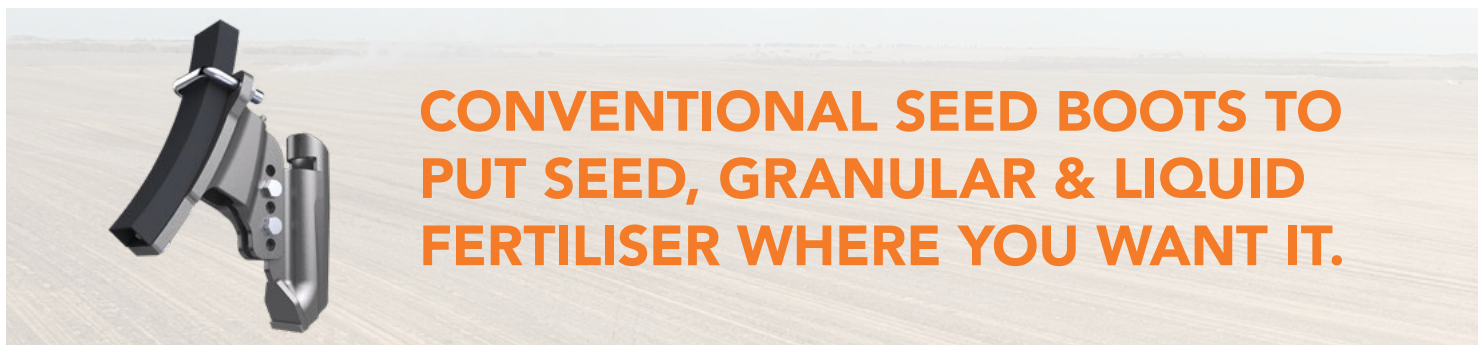
FA-0116 **\$0.60**

M10 Nyloc Nut

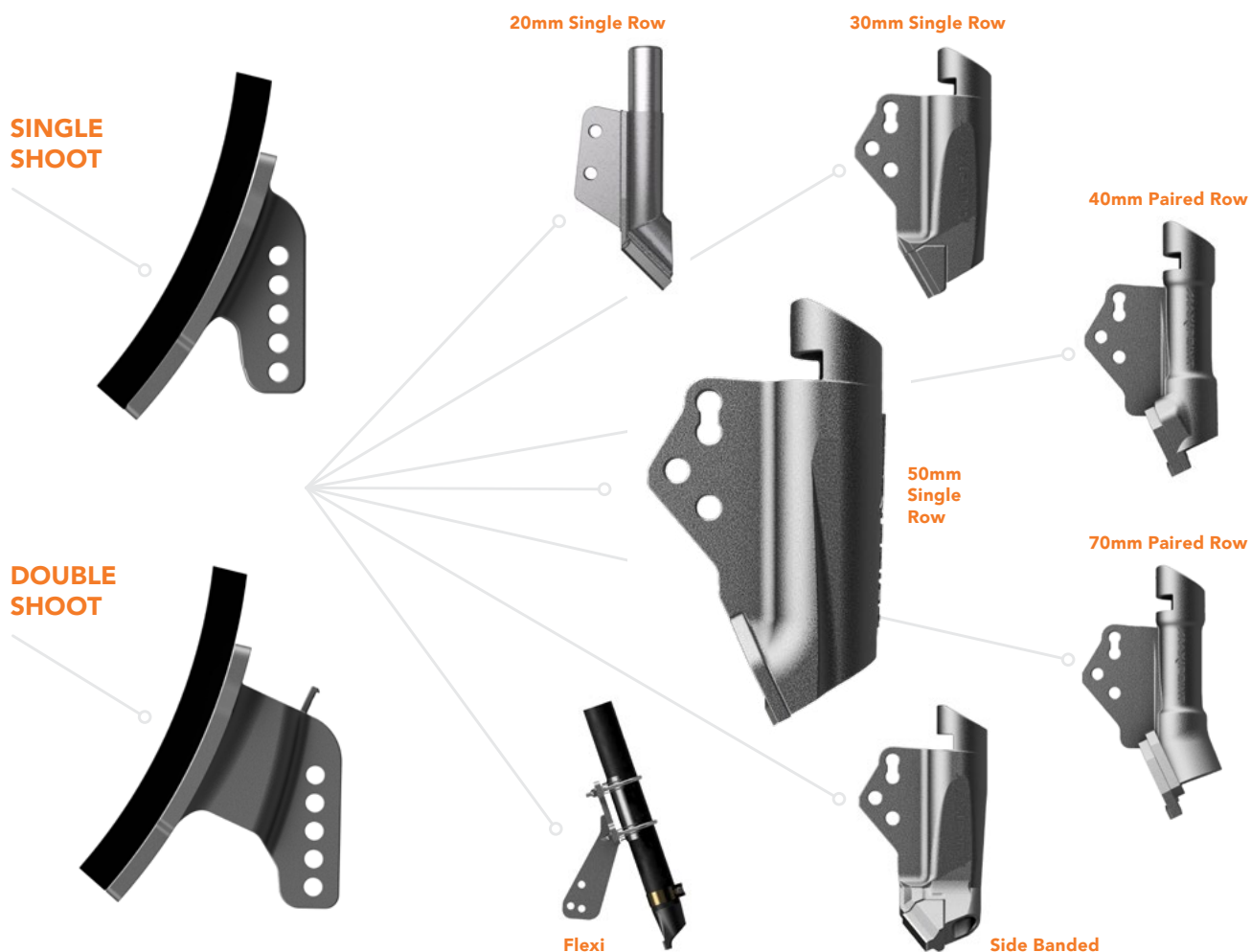


FA-0402 **\$0.30**

SEED BOOTS CONVENTIONAL



CONVENTIONAL SEED BOOTS TO PUT SEED, GRANULAR & LIQUID FERTILISER WHERE YOU WANT IT.



SINGLE SHOOT KIT WITH

50mm Single Row Backshoot	SB-1230	\$104
20mm Single Row Backshoot	SB-1237	\$110
30mm Single Row Backshoot	SB-1231	\$106
40mm Paired Row Backshoot	SB-1232	\$125
70mm Paired Row Backshoot	SB-1233	\$125
Side Banded Backshoot	SB-1236	\$125
Flexi Backshoot	SB-1234	\$129

DOUBLE SHOOT KIT WITH

50mm Single Row Backshoot	DB-1220	\$122
20mm Single Row Backshoot	DB-1237	\$128
30mm Single Row Backshoot	DB-1221	\$124
40mm Paired Row Backshoot	DB-1222	\$143
70mm Paired Row Backshoot	DB-1223	\$143
Side Banded Backshoot	DB-1236	\$143
Flexi Backshoot	DB-1224	\$147

SEED BOOTS CONVENTIONAL



- 7 BACKSHOOTS TO CHOOSE FROM
- VERSATILE SYSTEM: 6 CLOSER PLATE SETTINGS FOR EACH BACKSHOOT
- DEEP BAND YOUR GRANULAR FERTILISER WITH THE MAXIPOINT DOUBLE SHOOT SYSTEM

TYNE FRAMES

Single Shoot Tyne Frame



SB-0231

\$51

OUR STANDARD SINGLE AND DOUBLE TYNE FRAMES (SB-0231 AND DB-0220) SUIT C SHANKS.

FOR THE FOLLOWING SHANKS PLEASE NOTE ON THE ORDER YOUR SHANK TYPE AND WE'LL SUPPLY THE CORRECT TYNE FRAME TO SUIT.

Double Shoot Tyne Frame



DB-0220

\$56

- HORWOOD CURVED
- HORWOOD STRAIGHT
- GASON
- SIMPLICITY
- JOHN SHEARER
- FLEXICOIL EDGE ON
- OTHER

BACKSHOOTS

20mm Narrow



BS-1229

\$82

30mm Single Row



BS-1230

\$78

50mm Single Row



BS-1240

\$76

40mm Paired Row



BS-1260

\$93

70mm Paired Row



BS-1262

\$93

Side Banded



BS-1255

\$93

Flexi Backshoot



BS-1280

\$98

Flexi Back Pipe



FB-0207

\$76

Flexi Pipe Bracket



FB-0215

\$22

Flexi Spring



FB-0605

\$21

Flexi Closer



FB-0255

\$41

Closer Plate 50mm



BS-0244

\$22

Closer Plate 30mm



BS-0239

\$22

Closer 40mm Paired



BS-0246

\$28

Closer 70mm Paired



BS-0247

\$28

SEED BOOTS INLINE SERIES



- ACCURATE SEED PLACEMENT
- SIMPLE TO SET UP AND VERY DURABLE
- DEEP BANDING LIQUID AND GRANULAR FERTILISER

CURVED – SUIT C-SHANK

PAIRED ROW

IS-1006 \$180



SINGLE ROW

IS-1008 \$180



SIDE BANDED

IS-1007 \$190



FLAT – SUIT EDGE ON

PAIRED ROW

IS-1001 \$180



SINGLE ROW

IS-1003 \$180



SIDE BANDED

IS-1002 \$190



SEEDING KITS

BOURGAULT PARALINK



- CAN BE USED FOR DOUBLE OR SINGLE SHOOT SEEDING
- DEEP BANDING FERTILISER (GRANULAR AND LIQUID)
- 7 BACKSHOOTS TO CHOOSE FROM
- HEIGHT ADJUSTABLE POINT

BOURGAULT PARALINK SEEDING KIT

KIT INCLUDES POINT, MAIN BRACKET, BACKSHOOT, FASTENERS

PC-3001 \$260



Side View



Exploded

PARTS

CK Point



PT-1026

\$79

CK Point – Liquid Tube



PT-1027

\$89

CK Point – Liquid Block



PT-1028

\$89

CK Point with Side Plates



PT-1029

\$89

CK Point SLL



PT-1038

\$99

1/4" Push Fitting



FA-0808

\$6.50

20mm Narrow



BS-1229

\$82

30mm Single Row



BS-1241

\$78

50mm Single Row



BS-1242

\$76

40mm Paired Row



BS-1243

\$93

70mm Paired Row



BS-1244

\$93

Side Banded



BS-1250

\$93

SEEDING KITS

MORRIS

- KIT INCLUDES CTQ POINT, MAIN BRACKET, BACKSHOOT AND FASTENERS
- DEEP BANDING FERTILISER (GRANULAR AND LIQUID)
- 7 BACKSHOOTS TO CHOOSE FROM
- HEIGHT ADJUSTABLE POINT
- FLAT' TUNGSTEN POINT FOR USE ON 2021 QUANTUM ROW UNITS

SINGLE SHOOT

MORRIS QUANTUM SEEDING KIT – SINGLE SHOOT

PC-2001

\$265



CTQ Point

DOUBLE SHOOT

MORRIS QUANTUM SEEDING KIT – DOUBLE SHOOT

PC-2002

\$300



CTQ Point

PARTS

CT Point



PT-1030

\$51

CT Point Hardfaced



PT-1031

\$61

CT Point SLL



PT-1032

\$72

CTQ Point



Suit Quantum.

PT-1034

\$58

CTQ Point SLL



Suit Quantum.

PT-1036

\$78

1/4" Push Fitting



FA-0808

\$6.50

20mm Narrow



BS-1229

\$82

30mm Single Row



BS-1230

\$78

50mm Single Row



BS-1240

\$76

40mm Paired Row



BS-1260

\$93

70mm Paired Row



BS-1262

\$93

Side Banded



BS-1255

\$93

POINTS AUSPLOW

- QUICK CHANGE POINT SYSTEM
- 1 ADAPTOR OVER 12 POINT OPTIONS
- SUPER HEAVY DUTY POINT
- EXCELLENT \$/HECTARE VALUE

Quick Change Adaptor



PT-1070 \$10.00

Slot Mate A 6"



PT-1071 \$60.00

Slot Mate A 6" SLL



PT-1076 \$80.00

Slot Mate A 7"



PT-1072 \$60.00

Slot Mate A 7" SLL



PT-1077 \$80.00

Slot Mate A 8"



PT-1073 \$60.00

Slot Mate A 8" SLL



PT-1078 \$80.00

Slot Mate A 6" Winged



PT-1080 \$88.00

Slot Mate A 7" Winged



PT-1081 \$88.00

Slot Mate A 8" Winged



PT-1082 \$88.00

DB Ripper 7"



PT-115A \$61.00

DB Ripper 8"



PT-115B \$63.00

Sweep 10"



PT-2029 \$57.00

Sweep 12"



PT-2030 \$59.00

Trash Guard



PT-2008 \$26.00

UPGRADES

Hardfacing



PT-UPH \$10.00

Liquid Tube Holder – Nut



PT-UPN \$3.00

Liquid Tube Holder – Block



PT-UPS \$14.00

CONSERVA-PAK

PARTS TO SUIT CONSERVA-PAK / JD 1870 BARS



LONG LASTING PARTS DESIGNED FOR OPTIMISED PERFORMANCE.

POINTS

Conserva Point	Conserva Point Hardfaced	Conserva Point SLL	Sweep 12"	Roll Pin 3/8"
				
PT-1006 \$68	PT-1019 \$78	PT-1020 \$88	PT-2025 \$65	PT-1008 \$1.00

SEED BOOTS

Single Row 50mm	Single Row 20mm	Paired Row	Fertiliser Shoot	Bolt/Nut
				
BS-1287 \$55	BS-1288 \$62	BS-1285 \$68	BS-1286 \$47	FA-0300/FA-0408 \$1/\$0.40

PRESS WHEEL

Press Wheel – V – Profile	Press Wheel – Flat	Press Wheel Scraper
		
SP-1105 \$195	SP-1107 \$195	SS-1218 \$15

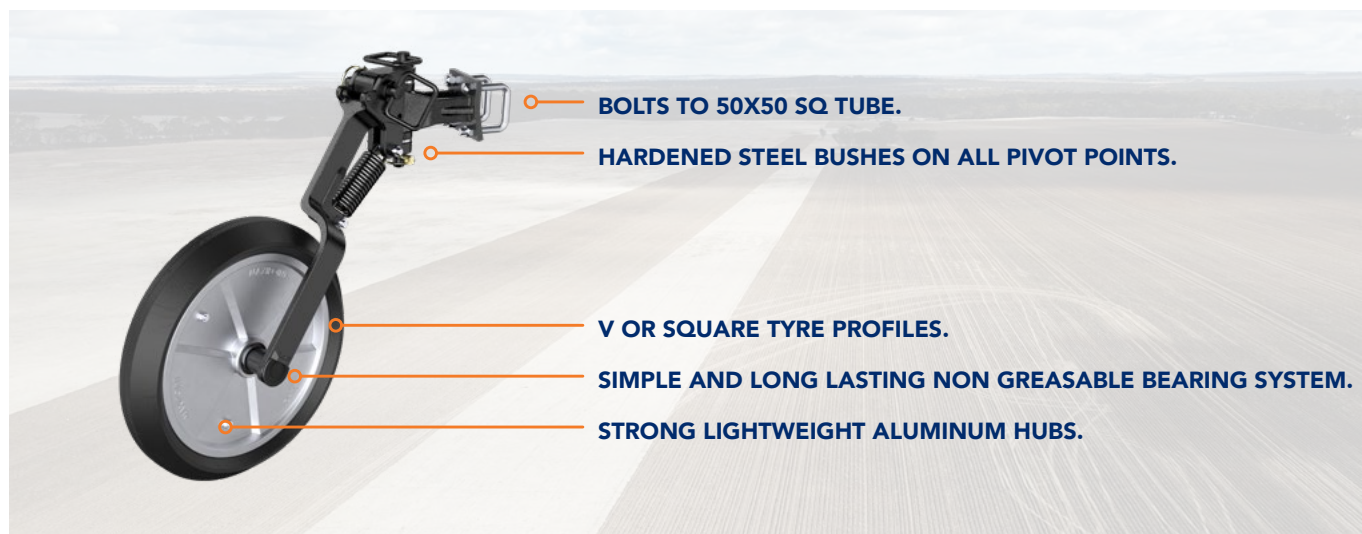
Includes bush kit to suit Cpak axle.

Includes bush kit to suit Cpak axle.

BUSHES

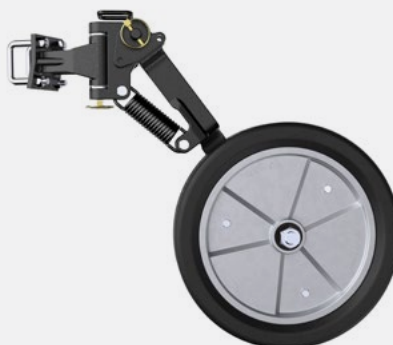
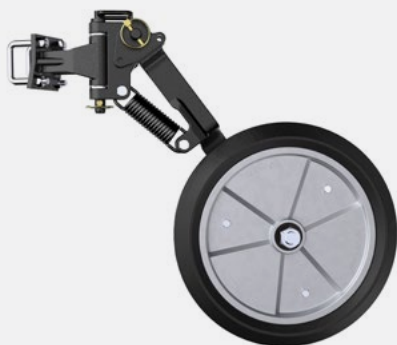
Suit Opener Tyne	Suit Seeding Tyne
	
SS-1219 \$22	SS-1220 \$23

PRESS WHEELS SINGLE SYSTEM



SINGLE PRESS WHEEL SYSTEM – V PROFILE

SINGLE PRESS WHEEL SYSTEM – SQUARE PROFILE



SS-1200 **\$340**

SS-1202 **\$340**

Wheel Only – V Profile

Wheel Only – Square Profile



SP-1100 **\$185**

SP-1101 **\$185**

Extension Bar Kit

Vertical Bar Kit



SS-0110 **\$175**

SS-0109 **\$70**

U-Bolts included.

U-Bolts included.



For spare parts and individual components visit: maxipoint.com.au

COULTERS

TWIN DISC COULTER SYSTEM



OPERATE THROUGH THE HEAVIEST STUBBLE WITH NO TRASH BUILD UP.

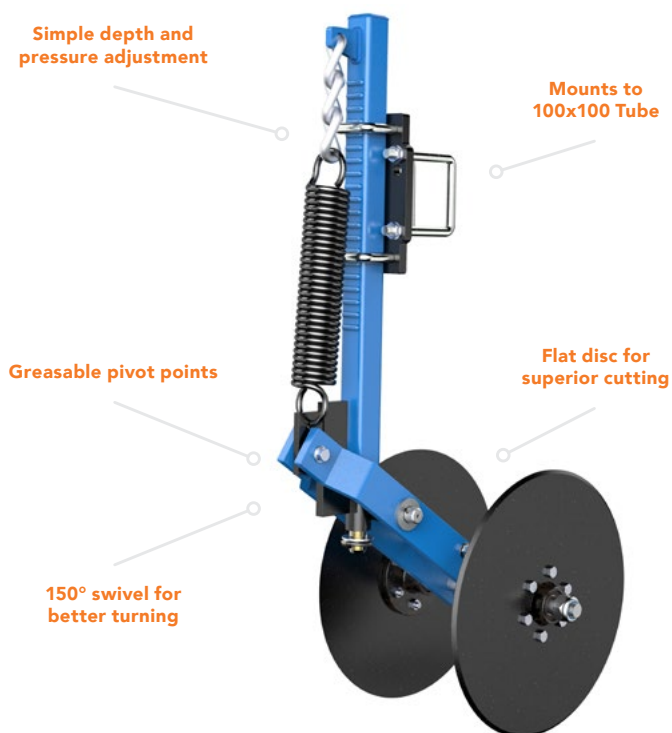
COULTER SYSTEM

TWIN DISC COULTER SYSTEM

CS-1300

\$985

- Available in 9/10/12 inch spacing.
- Single coulters are available if required.
- For mounting frame advice please contact us.
- Wider spacings available on request.



For discs and other spare parts please visit: maxipoint.com.au



AIRGUARD SEED BRAKES

AIRGUARD Seed Brakes are designed to help you achieve consistent optimum air flow across every opener on your air drill to achieve perfect seed and fertiliser placement. Controlled by a series of washers at the exhaust port. The adjustable air speed allows you to match your specific type of opener and achieve more efficiency with no seed bounce.

- **MINIMISE SEED DAMAGE** The seed brake uses a spiral system to slow seed flow: there are no baffles for the seeds to hit against.
- **LOWER COST** AIRGUARD Seed Brakes are competitively priced making it an affordable investment.
- **DELIVER DURABILITY** The UV protected plastic withstands harsh weather conditions.
- **REDUCE SEED WASTE** Controlled airflow eliminates seed bounce and seed soil mixing.
- **IMPROVE YIELD** With optimum seed and fertilizer placement.
- **PREVENT PLUGGING** Modify airflow to match your specific type of opener.

38mm Seed Brake – Stainless



BS-7360

\$106

32mm Seed Brake – Plastic



BS-7330

\$43

38mm Seed Brake – Plastic



BS-7340

\$48

Full Exhaust Seed Brake – Stainless



BS-7350

\$43

Exhaust Port Kit



BS-7336

\$14

Adaptor Kit for BS-7340/BS-7360 – 32-38mm



BS-7344

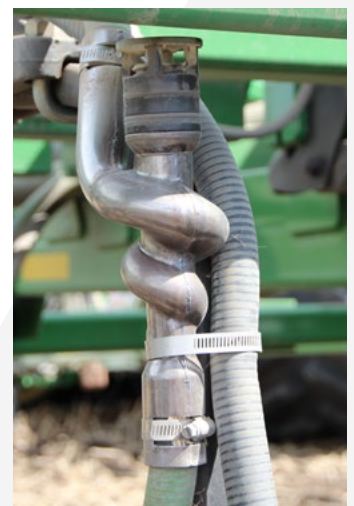
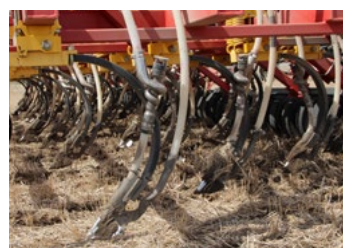
\$8

Wind Meter



BS-7400

\$45



AIRGUARD BLOCKAGE PREVENTION SYSTEMS

- REDUCE HUMIDITY
- LOWER OIL TEMPERATURES
- SEED IN WET AND DRY CONDITIONS

MAIN RADIATOR ASSEMBLY

BS-7650 **\$3,137**

BRACKET SELECTOR

Fits CNH & Flexicoil – Crary Fan – GL-840A2

BS-7701 **\$413**

Fits Bourgault – Fan U-Bolted to Axle

BS-7711 **\$413**

Fits Morris, Seedmaster, Seedhawk, JD1900/1910- S3 Blower RT Fan – 207

BS-7721 **\$413**

Fits John Deere 1910 with cast aluminium fan

BS-7731 **\$413**

Fits John Deere Airpower 2 fan

BS-7771 **\$413**

Fits CNH – Crary Fan – Cast Bottom Fan

BS-7881 **\$413**

Other brackets are available. Please contact Maxipoint for more info.

RELIEF KIT

BS-7200 **\$295**



SELECT AIRCART HOSE KIT

HYDRAULIC HOSE WITH QUICK COUPLER

10ft BS-7210 **\$257**

40ft BS-7240 **\$434**

15ft BS-7215 **\$289**

45ft BS-7245 **\$464**

20ft BS-7220 **\$317**

50ft BS-7250 **\$491**

25ft BS-7225 **\$346**

55ft BS-7255 **\$522**

30ft BS-7230 **\$375**

60ft BS-7260 **\$551**

35ft BS-7235 **\$407**



For Tow Behind Rigs

SELECT SEED BAR HOSE KIT

HYDRAULIC HOSE WITH QUICK COUPLER

10ft BS-7210 **\$257**

40ft BS-7240 **\$434**

15ft BS-7215 **\$289**

45ft BS-7245 **\$464**

20ft BS-7220 **\$317**

50ft BS-7250 **\$491**

25ft BS-7225 **\$346**

55ft BS-7255 **\$522**

30ft BS-7230 **\$375**

60ft BS-7260 **\$551**

35ft BS-7235 **\$407**



For Twin Fan Systems

3/4" RELIEF KIT – TEE AND HOSE

BS-7299 **\$114**

OPTIONAL

Dual Snorkel Kit

BS-7676 **\$1,039**

Universal Snorkel Mount Kit









BS-7860 **\$594**

Total:



FASTENERS / PARTS / ACCESSORIES

HEX BOLTS

7/16 x 2 1/4	7/16 x 2 1/2	7/16 x 2 3/4	1/2 x 2 1/4	1/2 x 2 1/2	1/2 x 2 3/4
					
FA-0315 \$1.10	FA-0316 \$1.10	FA-0317 \$1.10	FA-0321 \$1.00	FA-0322 \$1.00	FA-0323 \$1.00
1/2 x 3	1/2 x 3 1/2				
					
FA-0324 \$0.90	FA-0337 \$2.20				

PLOUGH BOLTS

7/16 x 2 1/4"	7/16 x 2 1/2"	1/2 x 2 1/2"
		
FA-0380 \$1.70	FA-0381 \$1.70	FA-0382 \$1.70


NUTS

7/16" Nyloc Nut	1/2" Nyloc Nut	1/2" Cone Lock
		
FA-0409 \$0.40	FA-0410 \$0.40	FA-0434 \$0.45


WASHERS

7/16" Flat	7/16" Spring	1/2" Flat	1/2" Spring
			
FA-0555 \$0.20	FA-0560 \$0.20	FA-0556 \$0.20	FA-0561 \$0.20

PINS

Lynch Pin	HD Lynch Pin	Leech Pin	Roll Pin 8mm	Roll Pin 3/8"	Split Pin 3/16"	Split Pin 1/4"
						
FA-0802 \$1.00	FA-0803 \$2.00	FA-0804 \$8.00	PT-10EP \$1.00 Suit Ezi Fit.	PT-1008 \$1.00 Suit ConservaPak.	FA-0805 \$1.00	FA-0801 \$1.00

U BOLTS

M12 x 50 x 60 Leg	M12 x 50 x 80 Leg	M12 x 75	M12 x 100	M10 x 50 Round	M16 x 50 x 90 Leg	M16 x 100 x 140 Leg
						
FA-0703 \$5.50	FA-0702 \$6.00	FA-0704 \$8.00	FA-0705 \$10.50	FA-0708 \$6.50	FA-0710 \$18	FA-0711 \$23
Suit seed boots.	Suit press wheels.					

