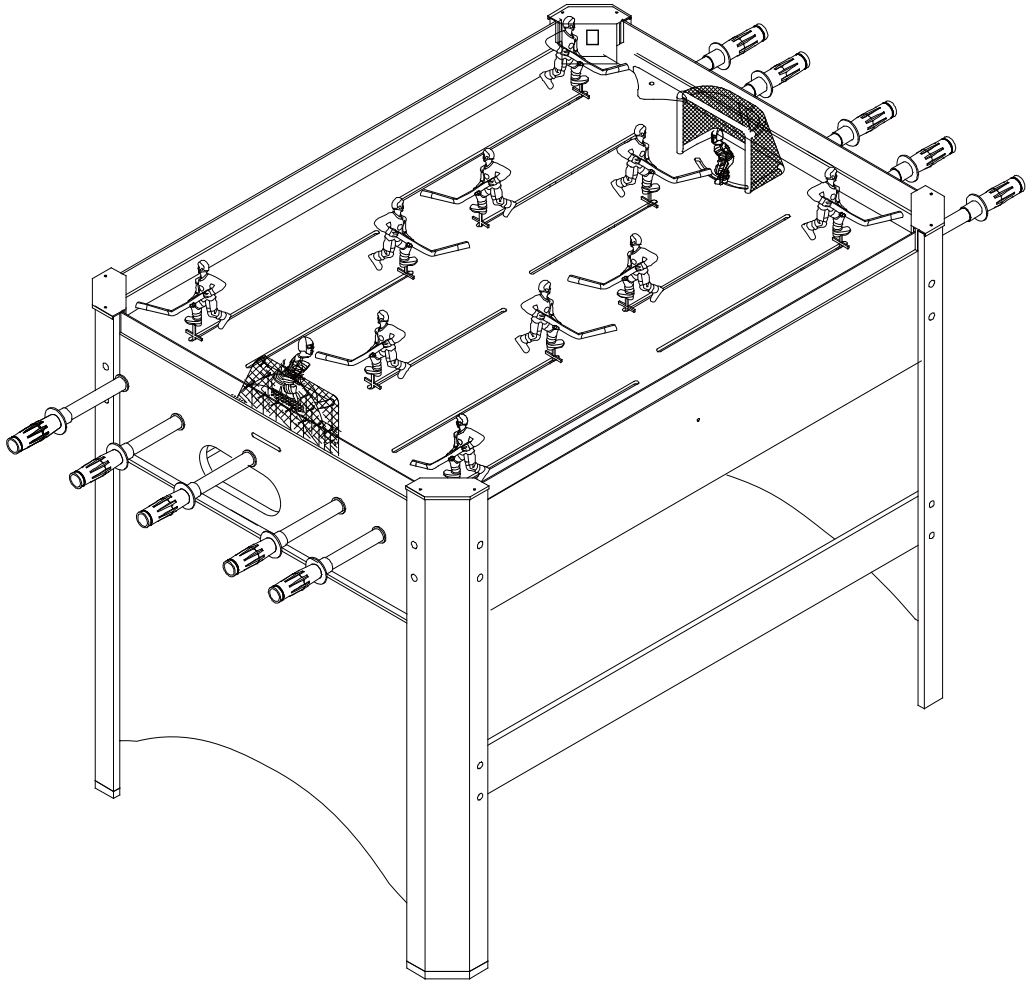
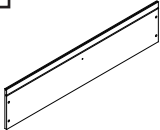
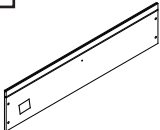

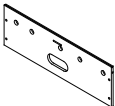
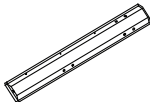
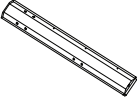

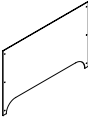
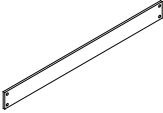

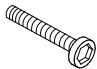

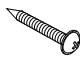
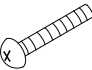


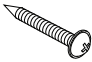
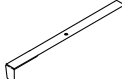

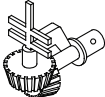
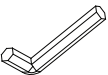


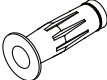
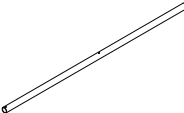
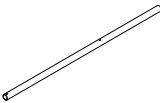
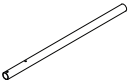








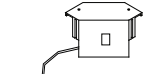
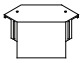


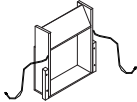


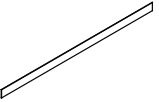



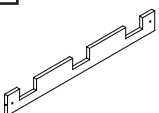
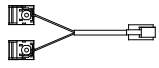
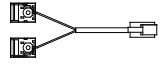


# ASSEMBLY INSTRUCCIONES



# PARTS IDENTIFIER

1  Side Apron-A 1 Piece	2  Side Apron-B 1 Piece	3  Playfield 1 Piece	4  End Apron 2 Pieces	5  Left Leg 2 Pieces
6  Right Leg 2 Pieces	7  Goal 2 Pieces	8  Leg End Panel 2 Pieces	9  Leg Side Panel 2 Pieces	10  1/4" Flat Washer 24 Pieces
11  1/4" Bolt 24 Pieces	12  1/2" Round Head Screw - Silver 8 Pieces	13  1/2" Round Head Screw - Black 16 Pieces	14  3/4" Bolt 2 Pieces	15  4MM Nut 2 Pieces
16  1/4" Round Head Screw 10 Pieces	17  1-3/4" Round Head Screw 2 Pieces	18  Goalie Control 2 Pieces	19  Control Box 1 Piece	20  Gear 10 Pieces
21  Allen Key 1 Piece	22  Rod Stopper 10 Pieces	23  Rod Bushing 10 Pieces	24  Rod Handle 10 Pieces	25  Long Rod 4 Pieces
26  Medium Rod 2 Pieces	27  Short Rod 4 Pieces	28  Long Stick Blue Player 4 Pieces	29  Short Stick Blue Player 1 Piece	30  Blue Goalie 1 Piece
31  Long Stick Red Player 4 Pieces	32  Short Stick Red Player 1 Piece	33  Red Goalie 1 Pieces	34  3/4" Round Head Screw 8 Pieces	35  Allen Wrench 1 Piece
36  Apron Corner with Scorer 2 Pieces	37  Apron Corner 2 Pieces	38  Puck 2 Pieces	39  Leg Leveler 4 Pieces	40  Puck Catcher Sensor Wire 2 Pieces

# PARTS IDENTIFIER

<p>41</p>  <p>Side PMMA 2 Pieces</p>	<p>42</p>  <p>End PMMA 2 Pieces</p>	<p>43</p>  <p>4 x 10mm Round Head Screw 6 Pieces</p>	<p>44</p>  <p>Playfield End Tray 6 Pieces</p>	<p>45</p>  <p>Center Support 1 Piece</p>
<p>46</p> <p>Pre-installed</p>  <p>Long Puck Catcher Wire with Sensor 1 Piece</p>	<p>47</p> <p>Pre-installed</p>  <p>Short Puck Catcher Wire with Sensor 1 Piece</p>	<p>48</p> <p>Pre-installed</p>  <p>Long Scorer Display 1 Piece</p>	<p>49</p> <p>Pre-installed</p>  <p>Short Scorer Display 1 Piece</p>	



## WARNING:

- 1) Require 3pcs AAA Batteries (Not included).
- 2) Do not mix old and new batteries.
- 3) Do not mix alkaline, standard (carbon zinc), or rechargeable (nickel-cadmium) batteries.

# Rod Hockey Installation Tips

1. **Test your players on a gear box** prior to installing the gear on the game the 1<sup>st</sup> time. Test-fitting them allows you to apply more force and twist if needed. They can be tight the 1<sup>st</sup> time you insert the foot into the metal shaft on the gear. Try holding the gear against a hard surface and pressing the man down if you are having trouble. Sliding them on and off a couple times will make it easier to install the men when the gears are on the rods in the game.



2. Make sure you have installed the gears so the ice surface is both above and below the groove on the gear. You should be able to see the **top of the black plastic piece** sliding on top of the ice.

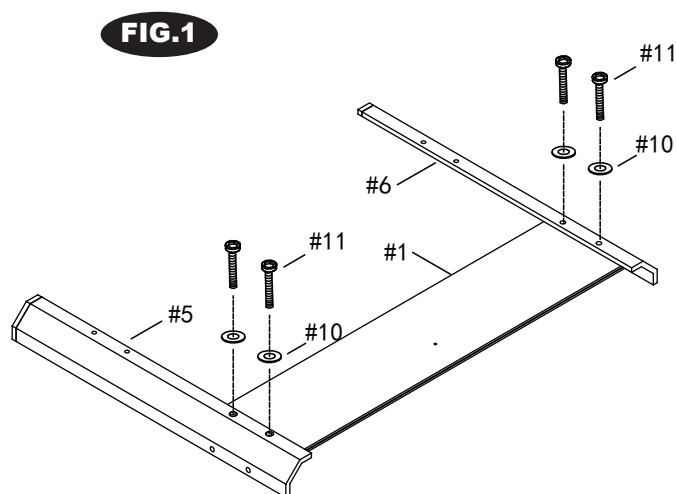


# ASSEMBLY INSTRUCTIONS

1. Find a clean, level place to begin the assembly of your Rod Hockey table. The table will be assembled upside down and then turned over on its legs once the assembly completed. This game table is heavy, and turning it over will require at least two strong adults.
2. Remove all the parts from the box and verify that you have all of the listed parts as shown on the parts identifier below. Carefully cut or tear the four corners of the box so that the bottom of the box can be used as your work surface.

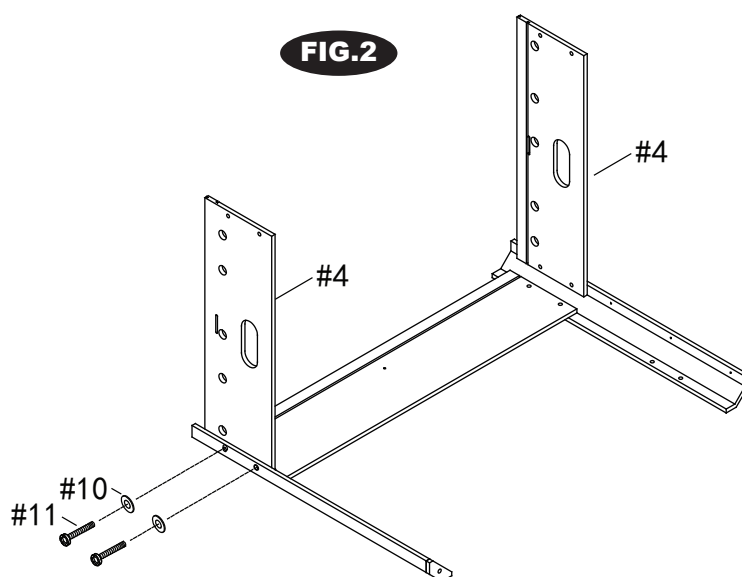
## FIG.1

3. Attach one Left Leg (#5) and Right Leg (#6) to the Side Apron-A (#1) using two Bolts (#11) and two Washers (#10) per Leg. **See FIG. 1.**



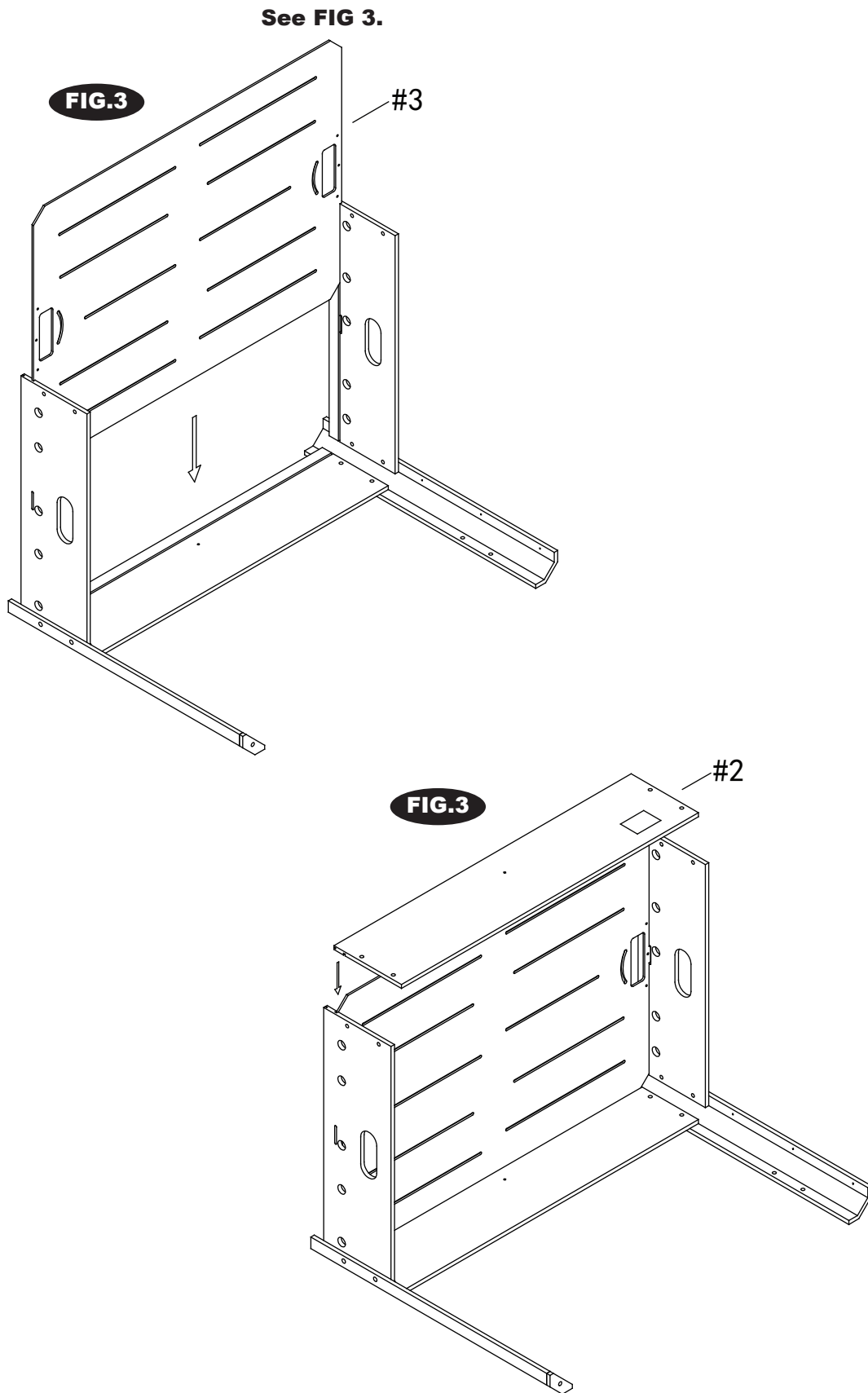
## FIG.2

4. Attach the End Apron (#4) to the Leg Assemble (previously assembled) using two Bolts (#11) and two Washers (#10) per Leg. **See FIG. 2.**



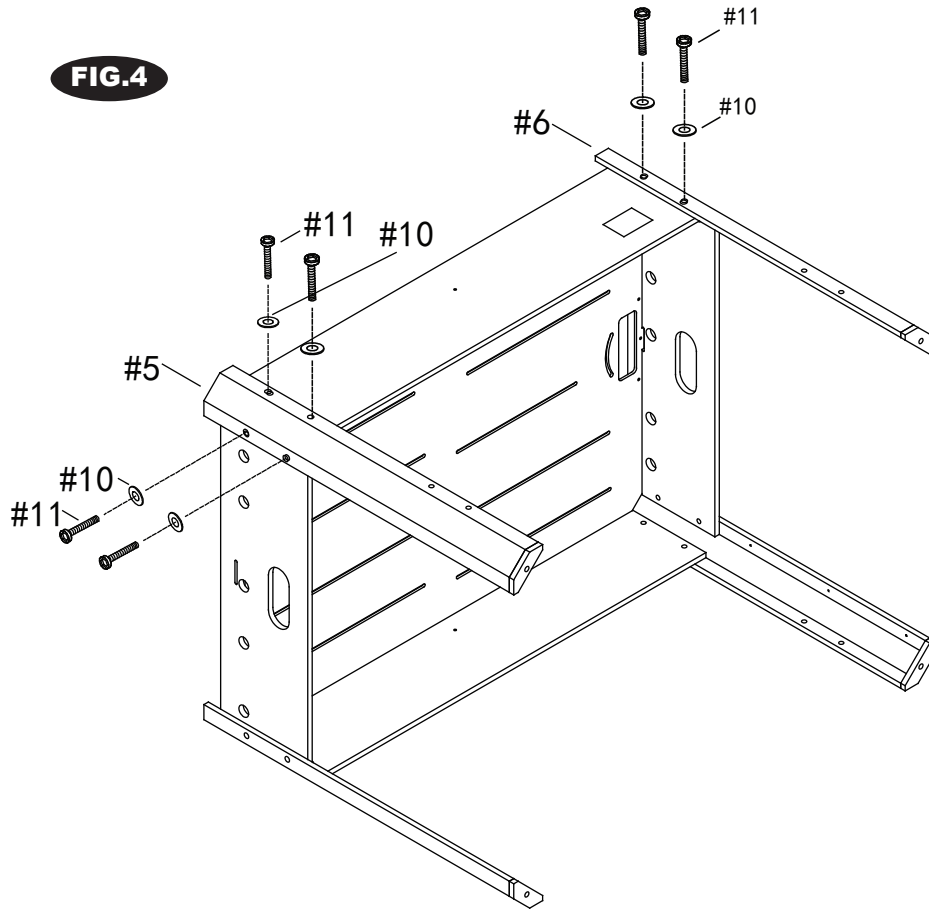
### FIG.3

5. Slide the Playfield (#3) into the grooves of the End Aprons and Side Aprons and attach the Side Apron-B (#2) to the End Apron (#4).



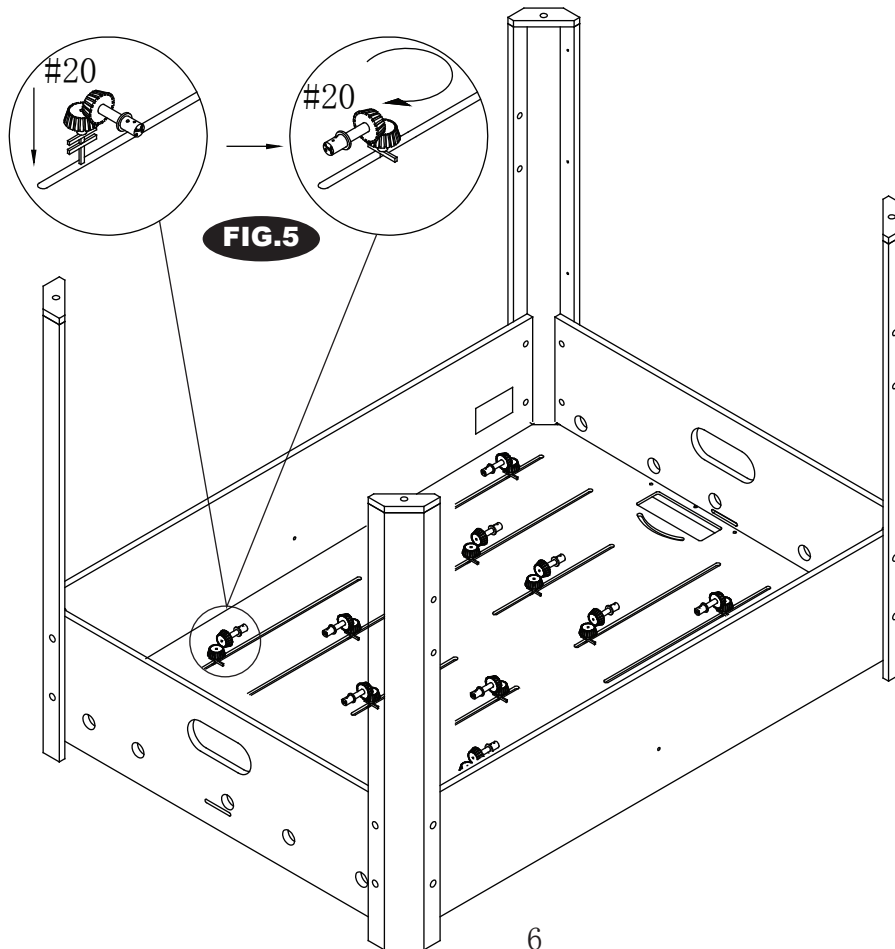
# FIG.4

6. Attach the Left Leg (#5) and Right Leg (#6) to the Apron using four Bolts (#11) and four Washers (#10) per Leg.  
**See FIG.4.**



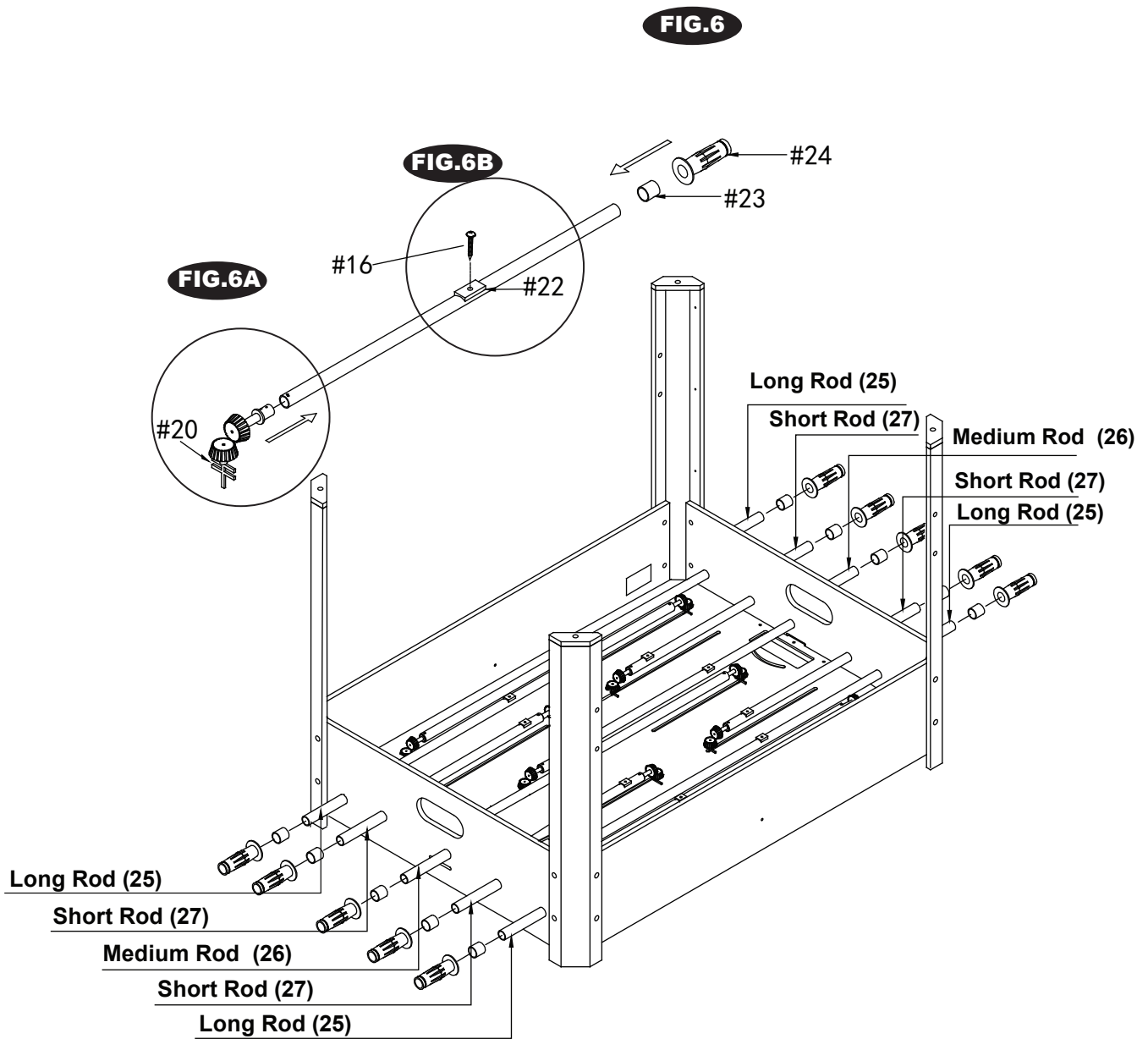
# FIG.5

7. Insert Gear (#20) into the player groove on the underside of Playfield (#3). **See FIG 5.**



## FIG.6

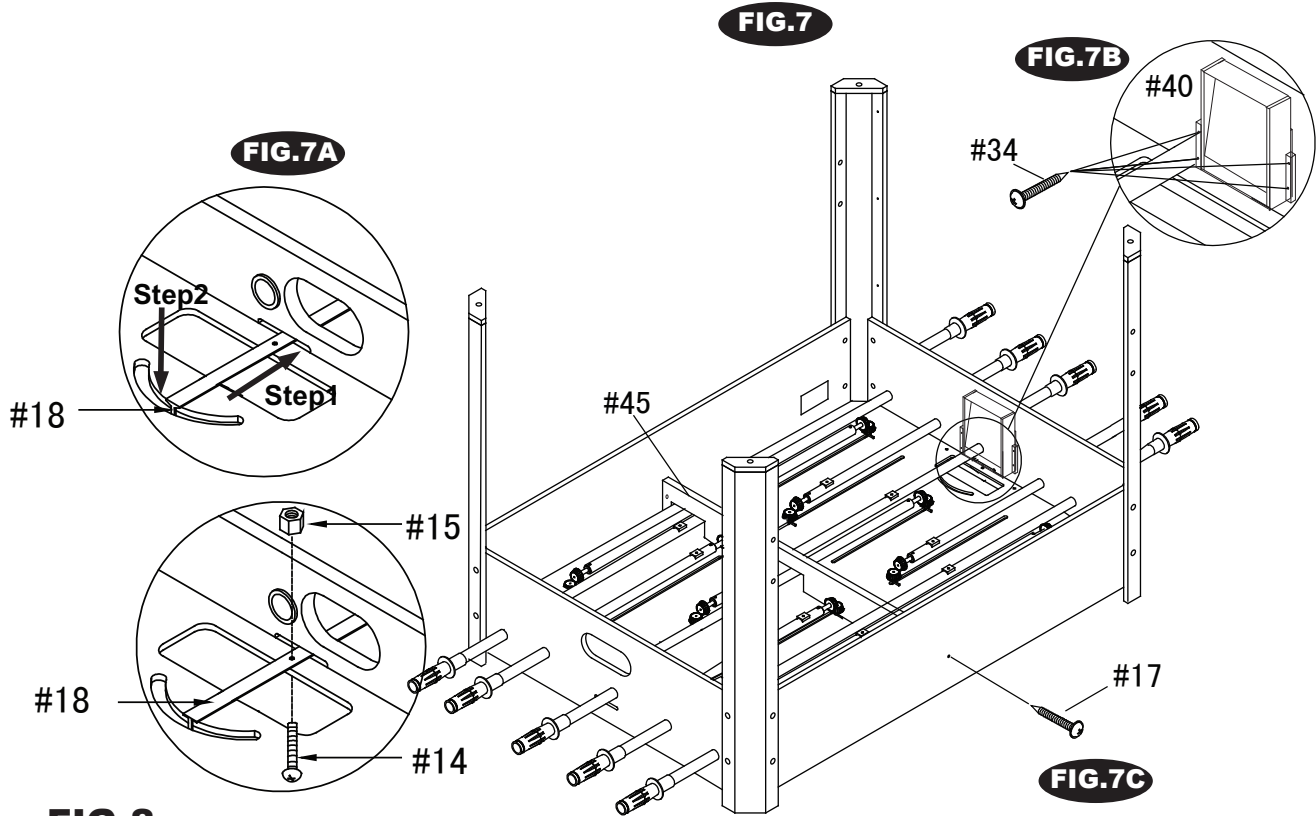
- Slide all Player Rods (#25, #26, #27) through Rod holes in the End Apron. *See FIG.6.*
- Push the Gear (#20) into the corresponding Player Rod . *See FIG.6A .*
- Attach the Rod Stopper (#22) to the Player Rod using one Screw (#16) per Rod Stopper. *See FIG.6B.*
- Slide the Rod Bushing (#23) onto the Player Rod from outside of the main cabinet. *See FIG.6.*
- Slide the Rod Handle (#24) onto the Player Rod after the Rod Bushing. *See FIG.6.*





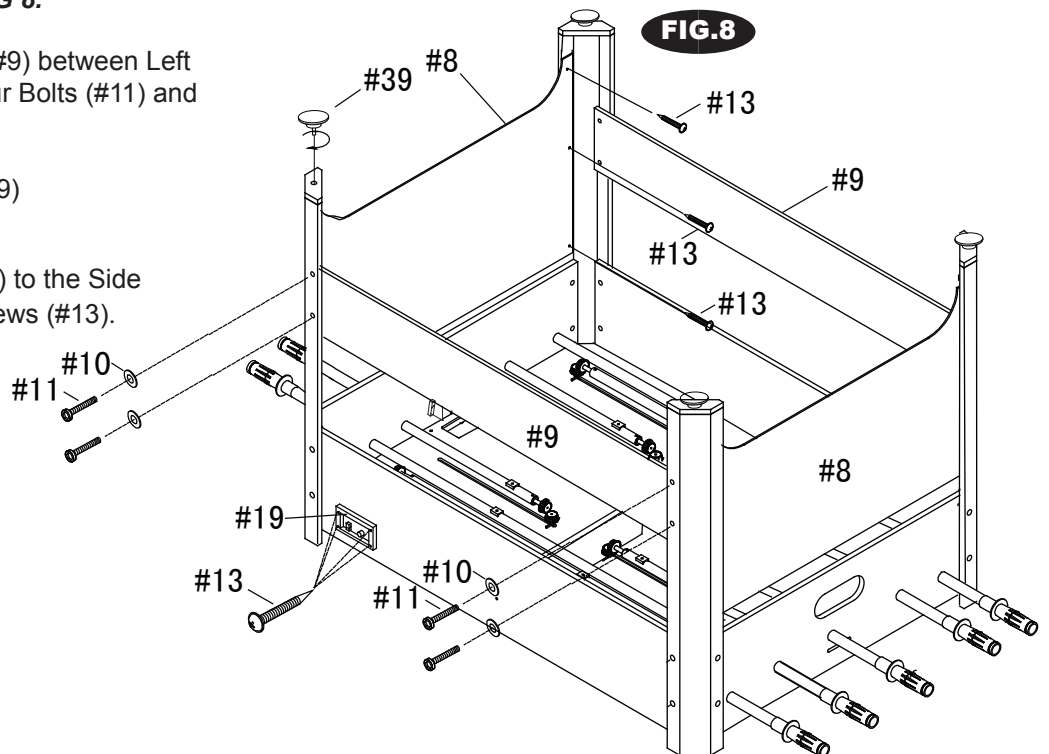
## FIG.7

13. Slide the Goalie Control (#18) through the Goalie hole in the End Apron, secure the Goalie Control (#18) to the underside of the Playfield (#3) using the Bolt (#14) and Nut (#15). **See FIG 7A.**
14. Attach the Puck Catcher (#40) to the End Apron (#2) using four Screws (#34) per Puck Catcher. **See FIG 7B.**
15. Place the Center Support (#45) to the underside of Playfield (#3) using two Screws (#17). **See FIG 7.C.**



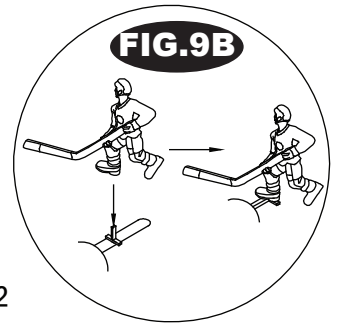
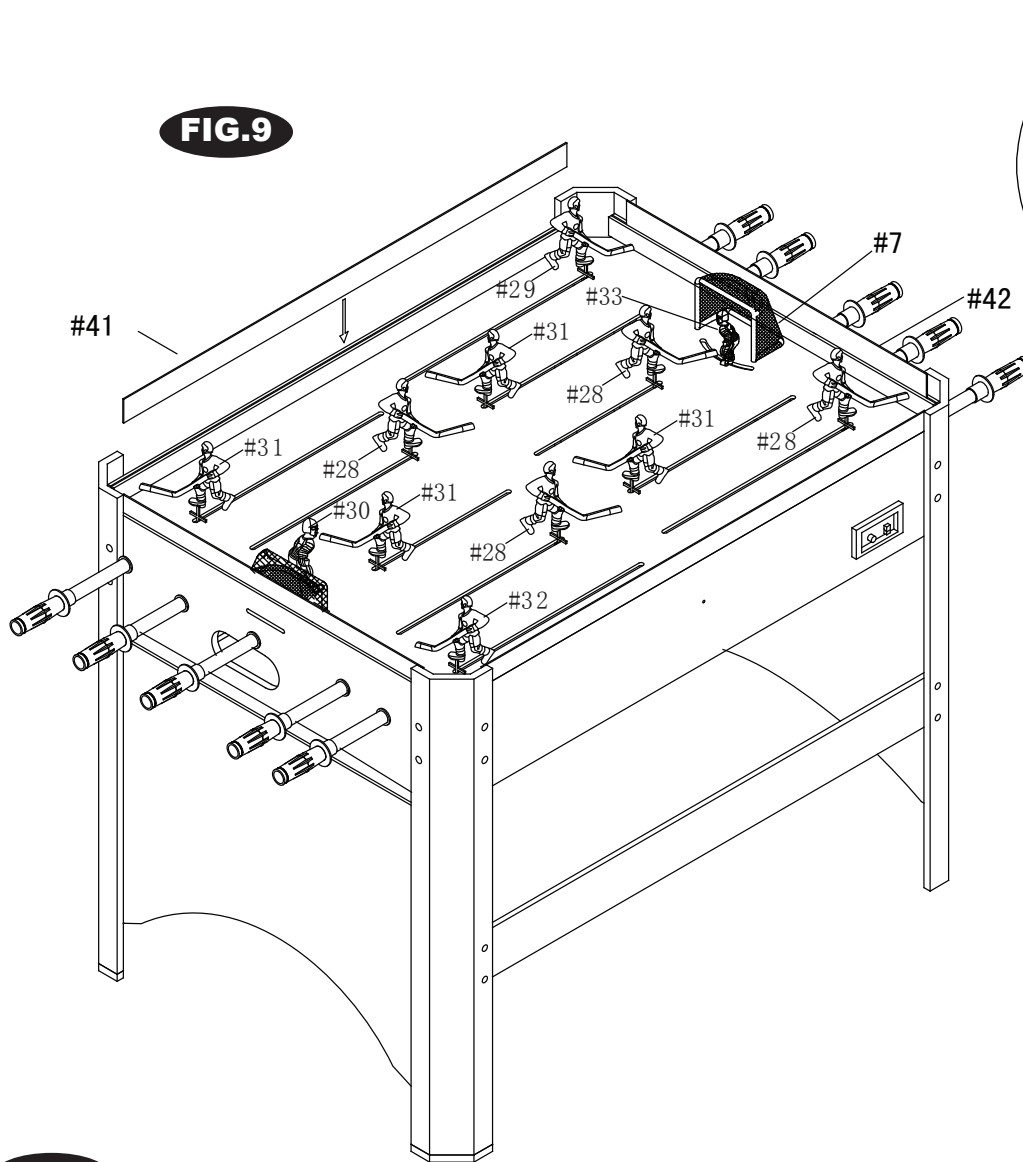
## FIG.8

16. Attach the Leg End Panel (#8) between Left Leg and Right Leg using six Screws (#13) per Leg End Panel. **See FIG 8.**
17. Attach the Leg Side Panel (#9) between Left Leg and Right Leg using four Bolts (#11) and four Washers (#10).
18. Attach the Leg Levelers (#39) at the bottom of each leg.
19. Attach the Control Box (#19) to the Side Apron-B (#2) using four Screws (#13).



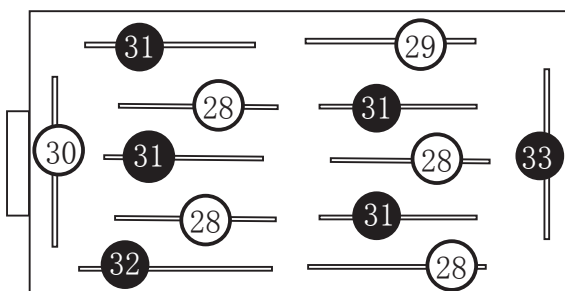
# FIG.9

20. Attach the Goal (#7) into the playfield (#3) . **See FIG.9.**
21. Slide the Side Board (#41) into the slot pre-set on the Side Apron. **See FIG.9.**
22. Slide the End Board (#42) into the slot pre-set on the End Apron. **See FIG.9.**
23. Insert each Player (#28,#29,#31,#32) into each metal tap on the Gear (#20). **See FIG.9 and 9A .**
24. Insert each Goalie (#30, #33) into each Goalie Control (#18). **See FIG.9 and 9B.**



**FIG.9A**

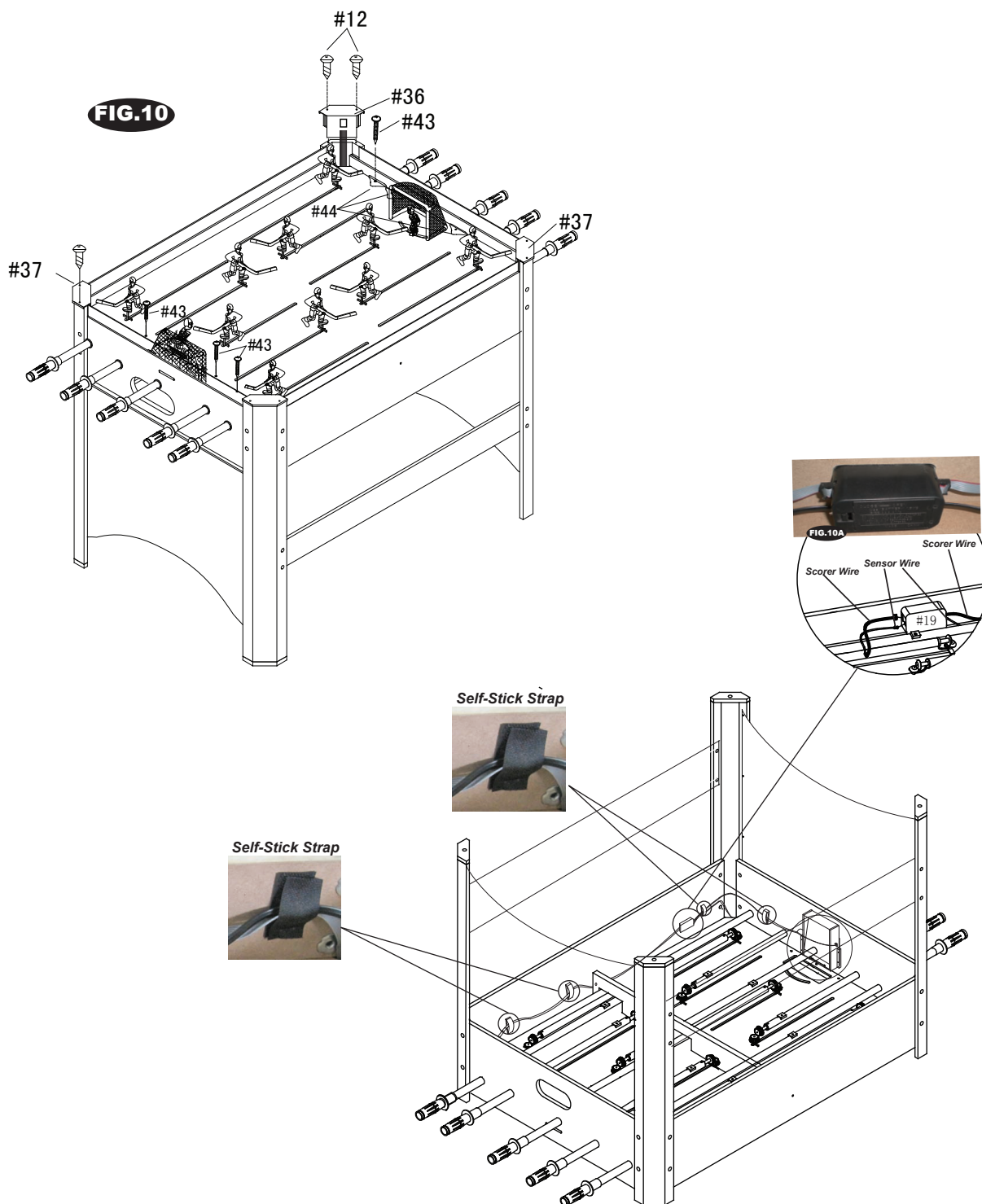
ORDER OF PLAYERS  
(Overhead View)



○ = BLUE      ● = RED

## FIG.10

25. Attach the Apron Corner (#37) to the top of Leg using two Screws (#12). See FIG.10.
26. Attach the Apron Corner with Scorer (#36) to the top of Leg using two Screws (#12). See FIG.10.
27. Attach the Playfield End Tray (#44) to the end of the playfield using the Screw (#43). See FIG.10. Repeat the same at the opposite side.
28. Insert the Sensor Wire from Puck Catcher (#40) into the Control Box (#19). See FIG. 10A.
29. Insert the Scorer Wire from Apron Corner (#36) into the Control Box (#19). See FIG.10A.



**NOW YOU ARE READY TO PLAY!**