

For further info please visit talkingfamilyhistory.com

Live panel Questions

ETHNICITY

Karen (USA)

My father's DNA shows 4% African ethnicity, how do I go about locating where this may originate?

D Sherman (USA)

How to determine if a DNA match is related through maternal or paternal side of family?

Tania (NZ)

How do even make a start with my DNA results when ALL my matches say 'Mother's Side' on Ancestry. It just seems insurmountable. Check endogamy

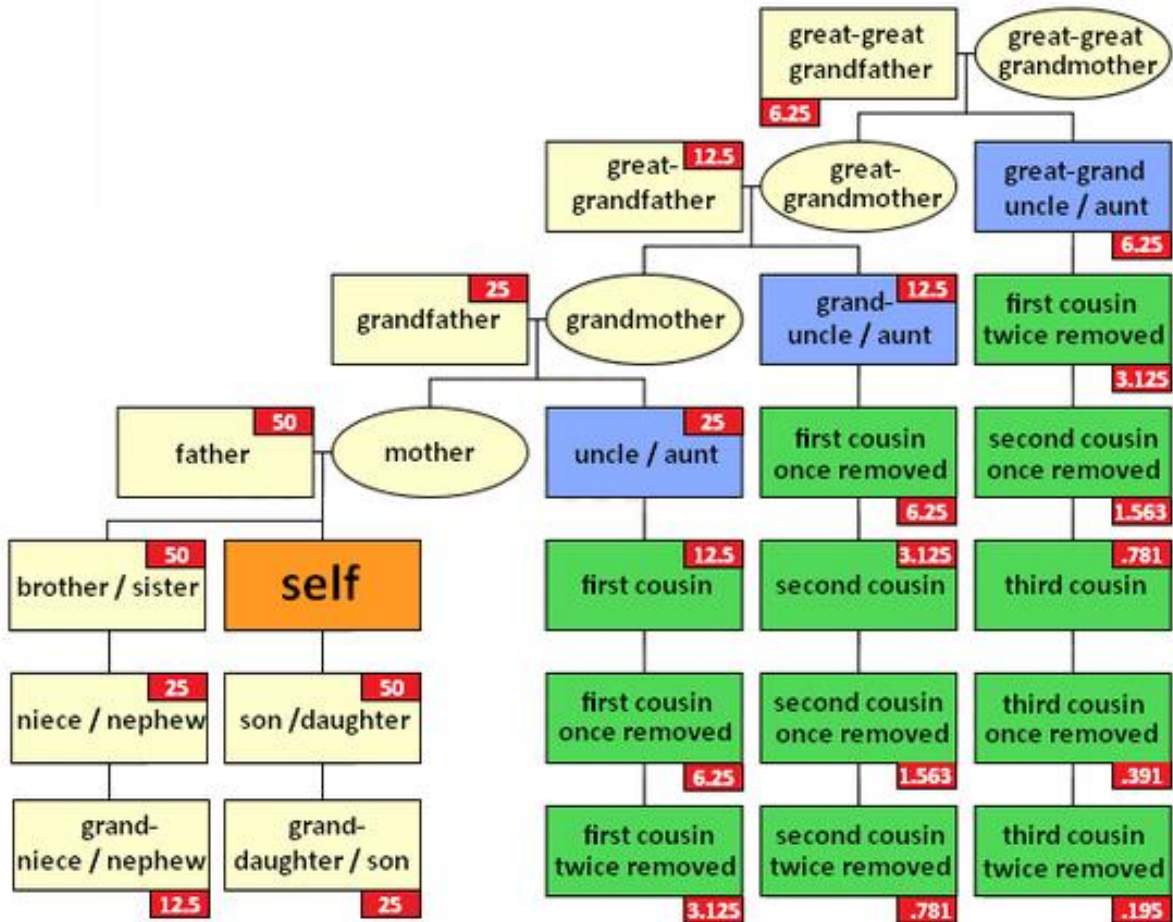
<https://www.familysearch.org/rootstech/rtc2021/series/making-connections-whakawhanaungatanga-using-dna>

Linda H (USA)

Understanding how to interpret the results and use them to break down the brick wall I have with a 3x great grandma.

Drucilla (USA)

I am a female, only child, I have one male first cousin who is the last living male on my father's side. DNA results don't show us as related. Is one of us not the biological child of our father?



With thanks to

[https://isogg.org/wiki/File:Cousin tree \(with genetic kinship\).png](https://isogg.org/wiki/File:Cousin_tree_(with_genetic_kinship).png)



For further info please visit talkingfamilyhistory.com

CLUSTERING

Martha P (USA)

What is the best way to determine biological parents for my grandmother (B 1919). Me, my mom and my daughter have tested. I have tried using the Leeds method. Top possible matches would be 416 cM, 173cM, 124 cM, and 113 cM.

Cathy D (USA)

I have a dozen single-segment 20-40 cM triangulated matches on Chr 5, I know it's my paternal grandmother's branch. How far back should I expect to find our closest common ancestor?

Laura K (USA)

Assuming the same amount of shared atDNA, ...which is a better indicator of how close a relative is, (a) the size of segments (all of which are above 7 cM) or (b) the number of segments. Eg: can we infer anything different in terms of relativity from five (5) 21 cM segments versus three (3) 35 cM segments v. one (1) 105 cM segment? Searched online, read articles.

Tina (Canada)

Can Y-DNA or autosomal DNA confirm or dismiss an individual as a grandparent? In 1920, three adult brothers were living in the same home. One of these brothers is my dad's paternal grandfather. Unfortunately, only one of the three brothers had children. I found a direct male descendant for that brother (Richard). Richard matches my uncle at 200cM and my aunt at 306cM, on 23andMe (my father is no longer available to test). The 'Shared cM Project' at DNAPainter.com, suggests that both half 1st cousins or 2nd cousins are possible relationships. I ruled out the other suggested relationships based on event date, location, ages, and other relevant information. To confirm that I had the right male line, I compared 23andMe's predicted paternal haplogroup for my uncle with Richard's haplogroup. They matched, but someone suggested doing a Y-DNA test from FTNDA as well, for more accuracy. My uncle took the Y-37 test, as I didn't know which one to purchase. But, if I were to buy a test for Richard as well, I would like to know if it could help to determine whether or not Richard and my dad share a paternal grandfather.

Thank you.

Jennifer (USA)

A couple of years ago my aunt (mother's sister) had her DNA tested. When she got the results we were surprised to find that she was 27% Japanese. Wondering if this was a mistake because there is no Japanese ancestry in our line... my mother had her DNA tested. Sure enough hers came back 24%. So if we are assuming correctly then this means that one of their grandparents is full Japanese. There in lies the mystery. We have asked descendants of relatives of both my grandparents who have had DNA testing and they do not report having any Japanese. My sister, as well as a nephew have also had DNA that confirms the Japanese DNA. There are a couple of clues that lead us to think that it must be my grandfather's "father" that is Japanese. My question is, is there a possibility of finding any relatives through this Japanese line? How do we go about finding them? We have just looked at the DNA matches that are listed on Ancestry.

Thank you



For further info please visit talkingfamilyhistory.com

TARGETED TESTING

Amanda (Aust)

I am trying to find DNA matches that link me to my 4th Great Grandparents or siblings of my 3rd Great grandmother.

My GGG Martha Shaw convict sent to Australia born 1808. Too many trees have incorrect info on her, she is not the daughter of William & Harriot. She also did not die in Bathurst. I want assistance to have proof of who her parents really are.

I think her parents are John Shaw & Sarah Haigh but birth place on her conviction records & distance makes it questionable.

I have searched find my past, conviction records, ancestry, members trees & some DNA matches. If this is the wrong place to ask please advise.

Martha is my mum's mum, mum's mum Mum and when my mum passed away in 2012 This saying came over me, not knowing who she was at the time, I need to find as much answers as I can.

Her death is unknown with the story she was taken by Aborigines. She is not the deceased in Bathurst as I purchased the death certificate and is a very different lady.

Can you help me find a DNA link to her ancestors before coming to Australia?

Nicola (England)

I have identified my husband's paternal grandfather as one of two Australian brothers. I found this out through Ancestry DNA matches. My husband also has a Y-DNA test from Family Tree. The younger of the two brothers had no children from his marriage, the older brother and most likely candidate, had three daughters. I have identified grandsons with whom I am in contact. I know that Y-DNA passes through the Male line however, my question is, if one of the grandsons took a Y-Dna test, would it be able to give us any proof that they had the same grandfather as my husband or would it be a waste of time and money. Thanks.

Liz M (Aust)

Trying to find my husbands ggrandfather. We know the GGrandmother and she had 2 more illegitimate children who we have traced to a paternal line but Arthur does not relate to him. His line is in Texas QLD and his matches relate to 3 lines approx. I am not ssure how to drill down and get closer. We do not know any of this family to ask for dribbles into the tube. His closest match on this line 160cm 9 segments (2nd to 3rd Cousin)

PUZZLE

Karen (USA)

My sister inlaw was adopted from Casa Hogar de la Esperzana Orphanage in Tijuana Mexico. She believes she was there with a sister. We are trying to find her sister. DNA results are very low (87cM). I have tried calling and sending email to orphanage, but have not received a response. What would you recommend we do next to try and get her connected. Finding her sister is her highest desire, but if we found her parents she would like that too. I am just sure where to go from here am I missing something in here DNA results?

Mary Lou (USA) - Question 1

Since my husband is deceased, I submitted my two sons' YDNA on FamilyTreeDNA and uploaded one son's DNA to 23andMe and MyHeritage. Both sons DNA is in FamilyFinder. Also have submitted their 1st cousin's YDNA and FamilyFinder and have access to a female first cousin of theirs FamilyFinder account. All have the same grandparents on their father's side. Trying to find the cMs that would descend from their common grandfather's grandfather, born Halifax, Nova Scotia 1827 or 1829. I surmise he may have been the product of a NPE as my sons have an E



For further info please visit talkingfamilyhistory.com

haplogroup and my son has had only one 37 marker match in 6 years. That differs in just one allele. My sons and their cousin had 67 marker tests. With Scots-Irish ancestry it would seem the haplogroup would be RB.

Mary Lou (USA) - Question 2

Suspect an NPE in Halifax, Nova Scotia. Samuel Duncan, age 19 and Robert Hill Duncan, age 8 landed in Boston 1837 in family group with Robert's father James (born Co. Antrim Ireland 1794). Samuel was NOT a son of James but Samuel's son was said to be a cousin. Robert born Halifax either 1827 or 1829. YDNA of direct descendant of Samuel brought several hundred Scottish names (none Duncan) matching 67 markers. Direct descendant of Robert YDNA (my son) has ONE 37 marker match in 6 years - of a different surname, Lyster. Lyster family lived in Halifax in 1820s lead by "Handsome Ben" Lyster. I have checked Canadian census, U.S. census, deeds both places, followed Lyster and Duncan families, researched in Ireland. My son and his brothers are only direct male descendants of Robert Duncan. Son's haplogroup is an E. Trying to find James Duncan's DNA and parentage. Genealogist for 40 years.

Sheila (England)

I have a missing maternal great grand father, I have checked my mums DNA matches I got mums DNA when she was 99 years old in 2017, she died aged 101 Her name is Sheila Conway nee Healy born 1918 and my DNA as well, [living info edited] but nothing is coming up at all in the matches its Just weird!. I am an only child. My grand mother was also an only child. Her name was Beatrice Wynne born 1890 in Tilston, Cheshire, England. It really bugs me, as I would have thought it would be obvious in Sheila Conways DNA results as this man would be her grand father ! So the only thing I can think is its another family member. Beatrice's mother Sarah Wynne born 1864 was un married & lived with her parents & younger brother who was born in 1866. In a small cottage. So I need help to decide if this is in fact the case in which case it would be incest.

Doreen (USA)

I am trying to figure out who my great grandfather was, my maternal grandmother was fathered by a British soldier or sailor out of wedlock in Portsmouth, Hampshire in 1898. The four 2nd cousin DNA matches (110-140+ cm) I have from Ancestry which should connect to that branch of the family are not showing on the ThruLine for the man's name I put in my tree. However, a DNA connection of 10cm did come up as also a second cousin which does not seem to be nearly close enough. I am afraid I have selected the wrong guy, Joseph Wayper, to put in there, although he fits my criteria for age and dates when he was a sailor and stationed in Portsmouth although does seem to be related to me somehow otherwise there would be no ThruLine connection at all. How else can I find the right guy? I have used DNA matches in Ancestry, 23andMe and MyHeritage besides copious research on Ancestry resources and Fold3 for likely soldier/sailor candidates. I also had personal messages between me and one of the second cousins on Ancestry and one on 23 andMe to guide my search to focus on the Tyne and Wear/Durham and maybe Scotland areas. The London area which is mentioned in my DNA profile is from my great grandmother's side of the family. Help !

Josie (USA)

I have 2 closely related DNA matches on Ancestry.com who are related to me through their shared biological father (they are half sisters, different mothers). Person "A" is my closest match on Ancestry (1,035 cM | 15% shared DNA with me). This is more shared DNA than my known first cousin (1st cousin on my father's side- 766 cM | 11% shared DNA). Person "A"'s half sister, Person "B" shares 581 cM | 8% shared DNA with me. My question: How can person "A" share twice as much DNA with me than her sister, person "B"? And how can she be more strongly related than my first cousin with whom I share grandparents?

Rebecca B (USA)

Our family had post mortem DNA from a relative collected, tested and banked. The mtDNA test was run by SecuriGene. My basic understanding of this test is that it follows the maternal line. We



For further info please visit talkingfamilyhistory.com

would like to have an autosomal test run on the DNA so that we can have addition information, but have not found a lab that does post mortem autosomal testing. Can you help us? Any suggestions would be welcome.

Catherine (Aust)

Have I broken through a brick wall? My GG Grandmother Jane Ruth Kirby Dale bapt 8 May 1810 Deptford, London parents John & Ann Dale. I have found potential parents John Dale and Mary Ann Dobinson married 28 Oct 1810, Deptford. Two problems with this are mother's name and they married 6 months after Jane was baptised.

Mary Ann's parents were William Dobinson and Sophia Busbee. I share DNA with two of this couple's sons. One at 7cM and the other at 6cM. The paper trail for them back to William and Sophia is solid. If correct both are my 5th cousins. Question- Is this enough evidence to prove that Jane's parents were John Dale and Mary Ann Dobinson? Thankyou in advance for any help you can give me.

Amber (USA)

I have recently found 8th 10th and 12th cousins that share 10-7cm with me or my father. Is that even possible? How do i stay on track when trying to figure out Relationships 7th cousins a beyond.

EDUCATION & ASSISTANCE

Christine M (USA)

My question is: if both my parents and all my living grandparents have had a DNA test, is there any advantage to me getting a test, too? Or is all the information already there with their tests? (They just got the basic Ancestry test).

Fiona M (Aust)

Can you please give any ideas/ work arounds for identifying a no tree/ non-responding DNA Match who is on your brick wall line? I am in Australia, brick wall line is North East Scotland this past 100 years- so DNA Match could still be there, or with emigration anywhere else in the world! I have tried some with no success but hope you have a few more ideas?

Mary K (USA)

I have a huge cluster of matches that I suspect are descendants of the brother of my 2nd great grandmother (Irish, form North Co Kerry). The locations makes sense, there are a number of witnesses on births and marriages that suggest close relationships, and I have one useful obituary that lists a lot of chief mourners at a funeral who were "cousins". (They were some sort of cousins of the widow, not the deceased. I have ID'd many of the people mentioned in a research tree and suspect that some were first cousins and others were more distant.).

But I don't have records to show the parents of my 2nd great grandmother or the suspected brother. I've also tabulated all the children's names of both couples to see whether I could predict their parents' names.

But I am stuck. So I am wondering whether to hire someone to help combine my limited data from records with the genetic data to write a coherent case for the two presumed siblings. But every time I think of going down that road, I wonder whether I can find someone well versed in local Kerry records as well as in genetic genealogy or whether I need to hire two people.

I've built a huge private unsearchable tree for the suspected brother of my 2nd great grandmother, and I'd like to connect the siblings with an "unknown" parent in a public tree, but I really don't want to do that without a written case for doing so.

Thanks!



For further info please visit talkingfamilyhistory.com

Our sessions at RootsTech

Fiona has a RootsTech 2022 page – SCROLL down for the latest info and links to the other sessions and hand outs <https://memoriesintime.co.nz/pages/rootstech-2022>

Special RootsTech offer head to our shop

<https://memoriesintime.co.nz/collections/talking-family-history>

20% off
Discount Code: RT2022DNA

		Webinar
DNA Discovery First Steps	Building Your Genetic Family Tree	
9 Mar - 27 Apr 2022	Finding Your Recent Unknown Parentage	
	Michelle Patient & Fiona Brooker	

Ends 31 March 2022

Resources

CheckList (includes DNA) <http://bit.ly/DownUnderCheck>

A free template to copy paste and edit, includes Up Over Census years as well

After RootsTech

Why not join our mailing list to keep up with our news – its free and not too frequent!
<https://gmail.us19.list-manage.com/subscribe?u=6d6b1b0d61b65aea8dc3f4fae&id=41aaa9e47c>

Follow us on Facebook
<https://www.facebook.com/talkingfamilyhistory>

Subscribe to our Virtual Lounge to join us for our fortnightly chats
<https://memoriesintime.co.nz/collections/talking-family-history/products/talking-family-history-2022-full-year-subscription>

Check out our online courses
<https://memoriesintime.co.nz/collections/talking-family-history>

Introduction to DNA at Ancestry

We have some videos on Facebook using the Ancestry site, click on the image to watch:



Introduction to AncestryDNA® - Family History Fridays



AncestryDNA® and Family History Intertwined - Family History Fridays

For further info please visit talkingfamilyhistory.com

Clustering and shared cM

The Shared cM Project – Version 4.0 (March 2020)

Blaine T. Bettinger
www.TheGeneticGenealogist.com
CC 4.0 Attribution License

How to read this chart:

Relationship: Aunt/Uncle
Average: 1741
Range (min-max): 1201 - 2282

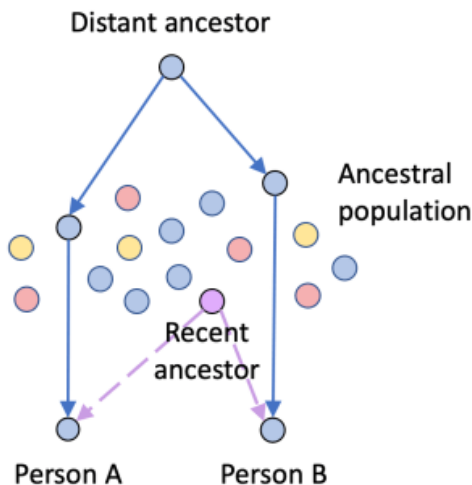
Half GG-Aunt/Uncle 208 103 – 284		Great-Grandparent 887 485 – 1486						Great-Great-Grandparent 420 186 – 713		GGG-Aunt/Uncle 117 25 – 238		GGGG-Aunt/Uncle 51 0 – 154		Other Relationships	
Half 1C2R 125 16 – 269		Half Great-Aunt/Uncle 431 184 – 668		Grandparent 1754 984 – 2462				Great Aunt/Uncle 850 330 – 1467		1C2R 221 33 – 471		2c2R 71 0 – 244		3C2R 36 0 – 166	
Half 2c1R 66 0 – 190		Half 1C1R 224 62 – 469		Half Aunt/Uncle 871 492 – 1315		Parent 3485 2376 – 3720		Aunt/Uncle 1741 1201 – 2282		1C1R 433 102 – 980		2c1R 122 14 – 353		3C1R 48 0 – 192	
Half 3e 48 0 – 168		Half 2c 120 10 – 325		Half 1C 449 156 – 979		Half-Sibling 1759 1160 – 2436		Sibling 2613 1613 – 3488		SELF 3487 2376 – 3720		1C 866 396 – 1397		2c 229 41 – 592	
Half 3c 73 0 – 234		Half 2c 73 0 – 234		Half 1C 35 0 – 139		Half Niece/Nephew 871 492 – 1315		Niece/Nephew 1740 1201 – 2282		Child 3487 2376 – 3720		1C1R 433 102 – 980		2c1R 122 14 – 353	
Half 3c1R 37 0 – 139		Half 2c1R 66 0 – 190		Half 1C1R 224 62 – 469		Half Niece/Nephew 871 492 – 1315		Niece/Nephew 1740 1201 – 2282		Child 3487 2376 – 3720		1C1R 433 102 – 980		2c1R 122 14 – 353	
Half 3c2R 27 0 – 78		Half 2c2R 48 0 – 144		Half 1C2R 125 16 – 269		Half Great Niece/Nephew 431 184 – 668		Great Niece/Nephew 850 330 – 1467		Grandchild 1754 984 – 2462		1C2R 221 33 – 471		2c2R 71 0 – 244	
Half 3c3R 27 0 – 78		Half 2c3R 19 0 – 60		Half 1C3R 60 0 – 120		Half GG Niece/Nephew 208 103 – 284		Great-Great Niece/Nephew 420 186 – 713		Great-Grandchild 887 485 – 1486		1C3R 117 25 – 238		2c3R 51 0 – 154	

Minimum was automatically set to 0 cM for relationships more distant than Half 2C, and averages were determined only for submissions in which DNA was shared

This citizen science project has a detailed paper which includes histograms for those interesting in a deeper understanding of this tool <https://thegeneticgenealogist.com/wp-content/uploads/2020/03/Shared-cM-Project-Version-4.pdf>

The interactive version is free and hosted in the DNAPainter site <https://dnapainter.com/tools/sharedcmv4>
<https://www.legalgenealogist.com/2021/12/05/an-overdue-thank-you/>

Here's the link to Fiona's blog post on Clustering your DNA Matches (Using the Leeds Method): You may have also heard clustering of DNA matches as the Leeds Method. Here's the first of my blog posts on this: <https://memoriesintime.co.nz/blogs/news/sorting-your-dna-matches-with-the-leeds-method-part-1>
There are links in the post to free worksheets for clustering by hand.



Small segments <https://thednageek.com/the-small-segment-debate-is-over/>

<https://www.legalgenealogist.com/2021/09/05/don't-poison-that-tree/>

For further info please visit talkingfamilyhistory.com

Clustering is affected by things such as endogamy– clustering needs more consideration or other techniques

<https://www.familysearch.org/rootstech/rtc2021/series/when-your-tree-is-a-banyan-untangling-endogamy>

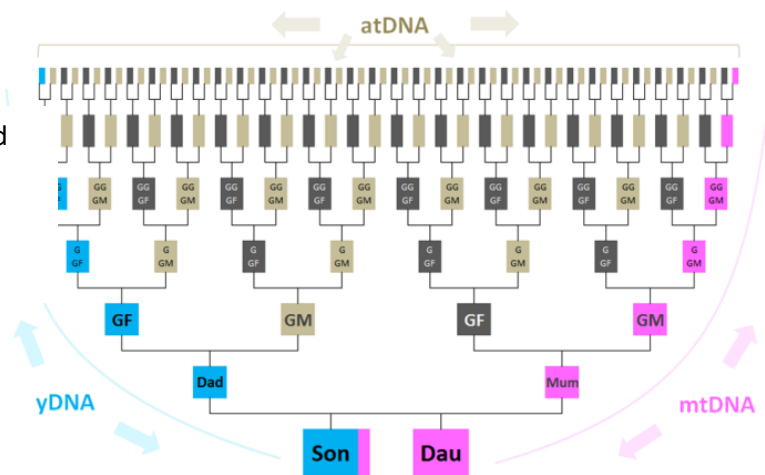
<https://www.familysearch.org/rootstech/rtc2021/series/making-connections-whakawhanaungatanga-using-dna>

If you need to build a family tree for a match, for those that like paper and pen, Fiona has a downloadable DNA Match Chart: <https://memoriesintime.co.nz/collections/family-history/products/dna-match-chart-downloadable>

Target Testing and messaging

Know the inheritance paths to find others to test

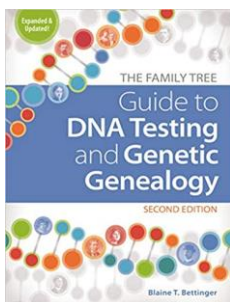
Image courtesy of Louise Coakley



Maximising Messages: <https://www.familysearch.org/rootstech/speakers/michelle-patient/en>

Big YDNA DNA testing <https://www.familysearch.org/rootstech/rtc2021/session/big-y-what-is-it-why-do-i-need-it>

We were asked for articles to read – this book is invaluable:



<https://www.amazon.com/Family-Guide-Testing-Genetic-Genealogy/dp/1440300577>



For further info please visit talkingfamilyhistory.com



The whole chat thread follows:

- 08:56:29 From Nan to Everyone: Hello everyone, from Illinois!
- 08:56:34 From Sylvia Wasiolek to Everyone: No sound
- 08:56:36 From Robert Clark to Everyone: Hi from Morrisville, NC
- 08:56:40 From Angela Belt-Newcom to Everyone: Hello!
- 08:56:44 From Sherry Severs to Everyone: Edmonton, Alberta, Canada
- 08:56:46 From Kaye Wykoff to Everyone: From San Antonio, TX
- 08:56:48 From Nan to Everyone: I can hear fine.
- 08:56:50 From Jay Shockley to Everyone: Hi from Concord, CA
- 08:56:51 From Andrew & Devon Lee to Everyone: Are you exhausted yet?
- 08:56:52 From Tom to Everyone: You guys are great thanks so much!
- 08:56:56 From Janet to Everyone: hello from Michigan
- 08:56:56 From Jon Grubbs to Everyone: I just submitted my question late!! :)
- 08:56:56 From Barbara Foor Larson to Everyone: Hi from south Florida
- 08:56:58 From Yvonne Wyatt to Everyone: Hi from Auckland NZ
- 08:56:59 From Nicky Kennedy to Everyone: Morena!
- 08:56:59 From Sylvia Wasiolek to Everyone: Cannot hear
- 08:56:59 From Sandra Gerhardt to Everyone: Hi from Brisbane Queensland 6am Saturday
- 08:56:59 From Cindy Hamilton to Everyone: Helloooooo New Zealand....from California, USA :)
- 08:57:00 From Kathleen Riley to Everyone: Hi from Green Bay Wisconsin
- 08:57:00 From max to Everyone: Kia Ora from Kerikeri
- 08:57:00 From Jon Grubbs to Everyone: From Sanford, Florida here
- 08:57:02 From Murray Strome to Everyone: Hello from Victoria BC Canada



For further info please visit talkingfamilyhistory.com

- 08:57:05 From Jay Shockley to Everyone: It's noon in Cali
- 08:57:11 From Dee Renee Chesnut to Everyone: Hi from Indiana
- 08:57:14 From Sheila to Everyone: Hello from Bainbridge Island
- 08:57:14 From Kirs-Australia to Everyone: 6am Sat Queensland Australia
- 08:57:15 From Jamie to Everyone: Hello from Ohio
- 08:57:19 From tambrab to Everyone: Good Afternoon from Omaha, Nebraska.
- 08:57:21 From Karin Frederking to Everyone: Hello from Ottawa, Canada
- 08:57:23 From CF to Everyone: Hi from Sydney
- 08:57:27 From Raquel to Everyone: Utah
- 08:57:28 From Kim Bland to Everyone: Pickwick Lake, Tennessee
- 08:57:28 From Darlene Frohlich to Everyone: Edmonton, Alberta, Canada
- 08:57:29 From Patricia Garcia to Everyone: Hello from Key West, Florida
- 08:57:29 From Me Nucci to Everyone: Thank you for your time! From Utah
- 08:57:29 From Linda WJ to Everyone: Lincoln, Nebraska
- 08:57:30 From Bev Colgin to Everyone: Paradise, California
- 08:57:31 From Sandi to Everyone: Hi! from Mapleton, Minnesota! Friday, just before 2 pm
- 08:57:32 From Taryn to Everyone: Ohio
- 08:57:32 From robbie to Everyone: Hello from Nashville, Tennessee, USA
- 08:57:32 From Frances Swendsen to Everyone: Hello from Calgary, Alberta, Canada
- 08:57:33 From Lisa to Everyone: Hi everyone...I'm from Santa Barbara, CA
- 08:57:33 From Jo-Anne Behal to Everyone: Long Island, New York
- 08:57:34 From shelly dudley to Everyone: Hi from Scottsdale, AZ
- 08:57:35 From Phillippa - Chch to Everyone: Hi from Christchurch, New Zealand
- 08:57:35 From Jo Russell to Everyone: Hello from Buffalo NY.... Go Bills!
- 08:57:36 From Rocky Brown Nieblas to Everyone: Seattle Washington! Hi!
- 08:57:37 From Steve to Everyone: Hello from Utah, USA
- 08:57:37 From Joanne Walega to Everyone: Hello from Michigan
- 08:57:39 From Gina to Everyone: Hi from Seattle
- 08:57:39 From Carolyn to Everyone: Hello from Crisfield MD on the Chesapeake Bay!
- 08:57:39 From Carol Evans to Everyone: Hi from sunny Cobourg, Ontario
- 08:57:39 From Clark & Rita Pederson to Everyone: Sunriver, Oregon



For further info please visit talkingfamilyhistory.com

- 08:57:39 From Lou Omel to Everyone: Hello from Buffalo, New York!
- 08:57:40 From Virginia to Everyone: St Louis Missouri
- 08:57:40 From MaryBolling to Everyone: Good afternoon from Minnesota!
- 08:57:40 From Shari Shanklin to Everyone: Good Friday afternoon from Atlanta, GA.
- 08:57:41 From JL Chamberlin to Everyone: HELLO FROM Lenexa ks WHERE IT IS Friday 2 pm
- 08:57:41 From Diane to Everyone: Diane Pensacola Beach, Florida
- 08:57:41 From Tom to Everyone: hi from Chicago
- 08:57:42 From James Du Pré to Everyone: Burke, Virginia, USA
- 08:57:42 From susanhollybarton to Everyone: Hello from Bloomington, Indiana, USA
- 08:57:42 From Sylvia Wasiolek to Everyone: No sound coming through
- 08:57:42 From Viv to Everyone: Hi, from Tauranga, NZ
- 08:57:43 From Susan to Everyone: Maryland, USA
- 08:57:44 From Betty Drebot to Everyone: Brampton, Ontario, Canada
- 08:57:44 From Vic E to Everyone: Washington State
- 08:57:44 From cheryldevitt to Everyone: Joining from Ontario Canada. Was with you at 2 am this morning for your other presentation
- 08:57:44 From Pamela Dorn to Everyone: Pam from State of Washington USA
- 08:57:44 From Lyle to Everyone: Virginia, US
- 08:57:44 From Lynn&ChrisBrown to Everyone: Lake Country, BC, Canada
- 08:57:46 From Annie to Everyone: St. Cloud Minnesota
- 08:57:46 From Lucy Kazarovich - Alpha Phi to Everyone: hello from sunny Jacksonville, Florida, USA
- 08:57:46 From Jean Crozier to Everyone: Hi from Edmonton, Alberta, Canada
- 08:57:48 From Mary Breckenridge to Everyone: Boise, ID
- 08:57:49 From Angelis Iglesias to Everyone: Originally from Puerto Rico living in Texas.
- 08:57:49 From Lucy Peterson to Everyone: From Utah
- 08:57:49 From Kathy and Larry McArthur to Everyone: Elkins, West Virginia, USA
- 08:57:50 From Ann to Everyone: Hi, from Manchester, NH
- 08:57:50 From Dottie Roy to Everyone: Grand Marais, Minnesota, USA
- 08:57:51 From Dawn Carey Henry to Everyone: Hello from Michigan
- 08:57:52 From LACarrico to Everyone: Virginia
- 08:57:52 From Robin Lambert to Everyone: Torrance, CA (but my husband is from Auckland)
- 08:57:53 From Stockman to Everyone: Hello from Sandy, UT



For further info please visit talkingfamilyhistory.com

- 08:57:54 From Diane Kinzett - NZ to Everyone: Hi to all from Auckland New Zealand
- 08:57:56 From Patricia to Everyone: Pat from Bedford, PA 3 pm
- 08:57:56 From Ruth Summers to Everyone: Ruth, Shingle Springs, Ca!
- 08:57:58 From Steve Little, Fauquier County, Virginia to Everyone: Virginia, USA
- 08:57:59 From Eric to Everyone: Eric, Sarnia, Ontario, Canada
- 08:57:59 From Beth Powell to Everyone: Beth from Baltimore, Maryland. Hi to all.
- 08:57:59 From Laura Kennedy to Everyone: Hello from San Diego California
- 08:57:59 From Petina - Prebbleton NZ to Everyone: Hi from Prebbleton New Zealand
- 08:58:03 From karenkontrath to Everyone: Hello from PENNSYLVANIA
- 08:58:05 From Donald Hinson to Everyone: Hello from Plano, Texas
- 08:58:05 From Jef Treece to Everyone: Portland, Oregon, USA
- 08:58:05 From cwade to Everyone: Almont, Michigan
- 08:58:05 From Rebecca's iPhone to Everyone: Lamoni, Iowa USA Friday 1:00PM
- 08:58:06 From Marshall Bautista to Everyone: Idaho, USA 1PM
- 08:58:08 From Tom Barnes to Everyone: Queen Creek, AZ
- 08:58:09 From Lynda to Everyone: Northumberland, England
- 08:58:09 From Leanne Watmuff to Everyone: Hi from Melbourne
- 08:58:09 From Pamela Mortland to Everyone: Hi from north central Illinois
- 08:58:15 From Tony Corbett, Dunedin NZ to Everyone: Hello again, from Dunedin!
- 08:58:16 From Charlotte P to Everyone: Hello from Birmingham, Alabama
- 08:58:17 From Hillary, NSW, Australia to Everyone: Good morning everyone from Central Coast NSW Australia
- 08:58:17 From Joan to Everyone: I AM HERE IN Saskatchewan, CANADA. THE HOME OF THE ROYAL CANADIAN MOUNTED POLICE
- 08:58:19 From Jon Grubbs to Everyone: Central Florida
- 08:58:20 From Sandy Scott to Everyone: hi from London but originally from Australia
- 08:58:20 From Sylvia Wasiolek to Everyone: Sound??
- 08:58:22 From Nicky Kennedy to Everyone: Tamaki Makaurau, NZ
- 08:58:25 From Kathi O'Neill to Everyone: Carefree, Arizon
- 08:58:25 From LST47 to Everyone: Fort Myers, Florida
- 08:58:25 From Joyce to Everyone: Joyce Hodges, near Kansas City. Been doing DNA genealogy since 2008.



For further info please visit talkingfamilyhistory.com

- 08:58:26 From Marriner Merrill to Everyone: Maryland
- 08:58:31 From James Ike to Everyone: oklahoma city, Oklahoma
- 08:58:33 From Andrew & Devon Lee to Everyone: Sound working here
- 08:58:34 From Val to Everyone: Zanesville, OH
- 08:58:34 From Greg McCoy to Everyone: Independence, Missouri
- 08:58:35 From Rubel to Everyone: South Dakota
- 08:58:35 From Mary Lou Duncan to Everyone: Mary Lou from Michigan
- 08:58:36 From Alison Evans to Everyone: colorado
- 08:58:38 From Terry to Everyone: Joining you from west virginia
- 08:58:38 From Douglas Oscarson to Everyone: Hello from Iowa!
- 08:58:38 From Kenneth Bullock to Everyone: Woods Cross, Utah
- 08:58:39 From Jeanette Gent to Everyone: Portland, Oregon
- 08:58:40 From Fiona Brooker - New Zealand to Everyone: @Sylvia - the sound is working, you might need to re login or watch us live on Facebook
- 08:58:43 From David Greene to Everyone: West New York, New Jersey
- 08:58:43 From Diane to Everyone: oklahoma
- 08:58:44 From Sandy to Everyone: Mt. Pleasant SC
- 08:58:44 From Fiona Brooker - New Zealand to Everyone:
<https://www.facebook.com/RootsTech/videos/625644471833880>
- 08:58:46 From Marcia Boisvert to Everyone: Ohio through Texas, military brat, parents from Massachusetts.
- 08:58:48 From Prue Theobald to Everyone: Sunny Tawa Wellington NZ
- 08:58:49 From Marilyn Souders to Everyone: Plano, Texas
- 08:58:52 From linda & thom to Everyone: Natchitoches, Lousiana (pronounced Nak-a-dish)
- 08:58:52 From Mia Bennett - Gloucester, UK to Everyone: Hi from Gloucester UK - again!
- 08:58:53 From Elizabeth Graydon to Everyone: Sussex, England
- 08:58:54 From Ryan K Englund to Everyone: Åland
- 08:58:57 From 210 Ipad Air to Everyone: San Antonio Texas
- 08:58:58 From Glenn to Everyone: Colorado
- 08:58:58 From Terry to Everyone: Go Mountaineers!
- 08:59:00 From Terri H to Everyone: Saskatchewan, Canada
- 08:59:01 From Kathleen to Everyone: Christchurch, New Zealand



For further info please visit talkingfamilyhistory.com

- 08:59:03 From Elgin Green to Everyone: Carol and Elgin from Virginia Beach
- 08:59:03 From Gayle Robichaux to Everyone: Arlington , Washington
- 08:59:04 From Mel Dunstan to Everyone: Cairns qld Australia
- 08:59:04 From UUUJudy Ross to Everyone: Judy in kingston, Ontario, Canada
- 08:59:08 From Malcolm - Melbourne Aus to Everyone: Melbourne Aus
- 08:59:10 From myrtle to Everyone: Myrtle in Dorset, England
- 08:59:10 From Kerrie Meagher to Everyone: Hi from a foggy Sydney
- 08:59:10 From Renee Plante to Everyone: Plano, Texas
- 08:59:16 From Mia Bennett - Gloucester, UK to Everyone: Laura - you will have to say when you visit!
- 08:59:19 From Mary Brawley-Fuat to Everyone: Hi! Catskills, NY
- 08:59:26 From Adam Basua to Everyone: Channel Islands. CA
- 08:59:27 From Robert Chase to Everyone: Hello from Sedro-Woolley Washington USA
- 08:59:33 From Marie to Everyone: Hi from Chino Hills, California
- 08:59:35 From Kenneth Pratt to Everyone: Seattle
- 08:59:39 From Karin Fancett to Everyone: Worcester UK
- 08:59:56 From Cummins to Everyone: Hi from Jacksonville, Florida!
- 08:59:56 From Dale Ketcheson to Everyone: Hi from Winnipeg, Canada
- 09:00:01 From Leah Larkin to Everyone: Hi everyone!
- 09:00:05 From Fiona Brooker - New Zealand to Everyone: Hi Leah
- 09:00:07 From Andrew & Devon Lee to Everyone: Ahhh... That's so sweet to do the handout from the discussion.
- 09:00:22 From Karen de Bruyne to Everyone: Hi from Enfield, North London, England
- 09:00:27 From Jean to Everyone: LOVE the accents! Mine is a Jersey accent.
- 09:00:27 From Kenneth Pratt to Everyone: Unlock video
- 09:00:28 From Thomas Dorsey to Everyone: Hello from Boston MA USA
- 09:00:32 From Keith Kendall to Everyone: Vernal, Utah
- 09:00:52 From Murray Strome to Everyone: In MyHeritage. with Leeds Method, I have three groups with 40 of the 66 shared matches are in all 3 groups. Why? I know they are all related to me through my father, and I think they are all related to me through my paternal grandmother. Why? (I know that no one related to me through my mother have tested or uploaded DNA data to MyHeritage
- 09:00:54 From Greg McCoy to Everyone: What good is Big Y DNA. How to Interpret?
- 09:00:55 From Lisa to Everyone: is there a handout? I can't find where it is
- 09:00:56 From Kenneth Pratt to Everyone: ALLOW VIDEO



For further info please visit talkingfamilyhistory.com

09:01:21 From Karen Harrison to Everyone: Greetings- hope everyone is enjoying Roots Tech!

09:01:41 From Christie to Everyone: Michelle, I love the tree artwork on your wall!! bEAUTIFUL

- (A speakers gift some years ago and very special – glad you like it)

09:02:28 From Murray Strome to Everyone: BTW I meant the matches from 90-400M

09:02:30 From Jean to Everyone: Q: How do you determine a 3/4 sibling through DNA results?

09:02:32 From Erica Hahn to Everyone: why doesn't Hungarian ancestry show up in the results for people with certain Hungarian ancestry

09:02:45 From Jon Grubbs to Everyone: My question is about a 80+ year old "brick wall" that can only be broken through using DNA and genetic genealogy!

09:03:09 From Lisa to Everyone: Thanks for your answer! :)

09:03:13 From Karen Harrison to Everyone: I am hoping DNA will break a brickwall which is finding the parents of our 2nd Great Grandmother

09:03:14 From Joyce to Everyone: Is there a master list of "pile up" segments. as I have 12 people on the same chr 12 segment, and can't seem to find our common ancestors, even after building out their trees.

09:03:36 From KRIS to Everyone: Q - can I do research (solid research) with just dna match (not segments)

09:03:47 From Sheila to Everyone: This is so exciting. Looking for clues to finding answers

09:03:54 From Kathy Nielsen to Everyone: Where may we find the handout when it is all done

09:03:56 From Lisa to Everyone: Q: I'm new to DNA testing....what suggestions do you have to select which testing company and test to use?

09:04:13 From Jon Grubbs to Everyone: I think endogamy is making my "brick walls" harder to break through, even with DNA

09:04:18 From Thomas Dorsey to Everyone: Does anyone commercially extract DNA? I have an old electric razor from my grandfather. I'd love to get some DNA from his shavings.

09:04:18 From Patricia to Everyone: ????? I have a half sister. We share a mother but not an father. I know my father but she has no idea. We were both adopted and that's how we found each other, tru DNA, How can I help her?

09:04:32 From Elizabeth Vidal to Everyone: Why 1/2 first cousin's children show 107cm. Is it because mother and half sister are acutally 1st cousins?

09:04:33 From Fiona Brooker - New Zealand to Everyone: The handout will be on the session page and you'll also be able to find It here: <https://memoriesintime.co.nz/pages/rootstech-2022>

09:05:03 From Sherry Graham to Everyone: Love the double of glasses, that looks like me on a regularly.

09:05:09 From Fiona Brooker - New Zealand to Everyone: Karen (USA) My father's DNA shows 4% African ethnicity, how do I go about locating where this may originate?

09:05:14 From Sandi to Everyone: I've never done DNA & new to it.. How do you determine which test is best for you?



For further info please visit talkingfamilyhistory.com

09:05:24 From linda & thom to Everyone: Where can I get help interpreting FTDNA's Y700 test results? Specifically I'm having trouble comparing the Block tree to my speculative tree based on traditional research.

09:05:25 From Fiona Brooker - New Zealand to Everyone: I'll be trying to keep up with posting the questions here and on Facebook

09:05:55 From Kim Bland to Everyone: Definitely have endogamy brick walls. Trying to figure that out has been difficult!

09:06:27 From Fiona Brooker - New Zealand to Everyone: D Sherman (USA) How to determine if a DNA match is related through maternal or paternal side of family?

09:06:33 From Christina Becher to Everyone: Same here -

09:06:34 From Cyndy Kauhi to Everyone: My paternal grandmother is from the Quebec area of Canada and I have always been told that her grandmother was Algonquin - Native American. This does not show up in my DNA nor my Paternal Aunt's DNA (my father is no longer living to test). Does this mean that this is a family tale or is it possible that it just didn't show up?

09:06:34 From Pamela Dorn to Everyone: My husband's biological father is one of three brothers. We have not found any descendants (acknowledged) Are we at a dead end?

09:06:47 From Jon Grubbs to Everyone: Fortunately I was able to get both my mother and father to take the atDNA test in 2017!

09:06:56 From Eric to Everyone: you could also use ethnicity like Irish or German

09:06:59 From Jon Grubbs to Everyone: Get as many family members as you can to test, it's worth it!!

09:07:06 From Marsha Miller to Everyone: My DNA shows ~13% Norwegian but my 8000+ member family tree has NO Norwegian names. Where do I even start?

09:07:31 From Nikki Gounaris- Massachusetts to Everyone: Any suggestions for figuring out DNA matches of people from an area that is endogamous- like my family from the Greek island of Lesvos.

09:07:33 From Fiona Brooker - New Zealand to Everyone: Tania (NZ) How do even make a start with my DNA results when ALL my matches say 'Mother's Side' on Ancestry. It just seems insurmountable.

09:08:24 From Kesseli Goit to Everyone: We cannot find my 3 times great grandfather's parents. There was talk of a possible name change at some point, but we do not know anything about them, not even names. He was born in South Carolina around 1827. We cannot find him until 1860 in any census. How do I go about trying to find who his parents could have been? My dad's yDNA all came up with a different surname than we have.

09:08:36 From Jon Grubbs to Everyone: Spotsylvania, Virginia also has a lot of endogamous family trees! I am related to many cousins four or five different ways with multiple common ancestors!

09:09:03 From Emma to Everyone: Her recordings are amazing!! It really helped me understand my endogamy side

09:09:32 From Patricia Garcia to Everyone: The Leed's Method has been extremely helpful with categorizing MOST of my DNA matches, EXCEPT for the part of my family tree with Endogamy. Do you have any tips how to use the Leed's method with Endogamy?



For further info please visit talkingfamilyhistory.com

09:09:34 From Jennifer Cote to Everyone: While searching for my biological grandfather, I have been able to determine Great Grandparents but unable to isolate which of their male children was my mom's father. Any suggestions?

09:09:44 From cheryldevitt to Everyone: what did Ms. Taylor mean when she said look at the "clustering"

09:10:05 From Fiona Brooker - New Zealand to Everyone: @cheryldevitt We're going to talk more about clustering

09:10:10 From Ruthellen Mulberg to Everyone: Can you elaborate on differences between y-DNA tests and the "generic" (maternal source?) test like the one I took AncestryDNA. From what I have learned since, I did not realize the distinctions and limits of such easily accessible tests. I'm confused about how this limits use of results search paternal ancestors. Than you. 😊

09:10:20 From Calvin Wallet to Everyone: Have do dna work for a family member that is kin on both side of your mother and your dad side.

09:10:22 From Fiona Brooker - New Zealand to Everyone: Linda H (USA) Understanding how to interpret the results and use them to break down the brick wall I have with a 3x great grandma.

09:10:28 From Bev - AKL to Everyone: can people trace their Chinese Ancestry.

09:11:08 From Steven Harsey to Everyone: Biological grandfather born out of wedlock unknown. Born 1922 rural farm no vital records of birth. Had 4 DNA tests but no matches or thru-lines even close.

09:11:21 From Christina Becher to Everyone: The trick is trying to find the right cluster

09:11:33 From Linda Higbee to Everyone: What if you can't identify how you're related to anyone in your clusters?

09:11:37 From Jay Shockley to Everyone: I have a tree with ONLY DNA proven matches. This is the gedcom I upload to avoid others copying mistakes over and over.

09:11:46 From Terry to Everyone: Paternal 2nd ggmother born to slave mother & white French father . Her son is the father of 2 daughters and 1 son. The 2 living daughters DNA shows DNA from Benin & Togo. The son passed away untested, his son has no African DNA. This son was my father. Without understanding why, I expected this before the results of the 2 daughters results came into my matches. What made that happen?

09:12:21 From Jon Grubbs to Everyone: My grandparents are 4 x cousin once removed on two different lines!

09:12:24 From Becky S to Everyone: I never knew who my great grandfather was. I share triangulated DNA of 12.5 Cm and the two other people know this man is their relative. It's on MyHeritage. Next steps?

09:12:26 From Fiona Brooker - New Zealand to Everyone: You may have also heard clustering of DNA matches as the Leeds Method. Here's the first of my blog post's on this:

<https://memoriesintime.co.nz/blogs/news/sorting-your-dna-matches-with-the-leeds-method-part-1>

09:12:39 From cheryldevitt to Everyone: should you do DNA with more than one company?

09:12:53 From Nikki Gounaris- Massachusetts to Everyone: Make sure that you both have enabled people to see matches as well.

09:13:00 From Elizabeth Graydon to Everyone: How can you cluster your matches on Ancestry when they don't have those tools



For further info please visit talkingfamilyhistory.com

09:13:23 From Eric to Everyone: i have one DNA relative related to my father's tree. But, I am a closer match to her than my father is. does that mean that she is also related to my mother or is there another possible explanation?

09:13:24 From Fiona Brooker - New Zealand to Everyone: @Elizabeth You can cluster your matches using the coloured dots on Ancestry.

09:13:27 From Mary Ann Mericle to Everyone: What company does the best with German relatives? to the USA?

09:14:34 From Kris-Australia to Everyone: I am helping someone, BC, with their DNA. He matches my mother-in-law. We (other matches) are 'sure' that he has an NPE in his tree (right family in right place at right time - and they knew each other as per a newspaper article), but he is completely adamant that he's not. Any suggestions as to how we can convince him? Also on MyHeritage there are 67 shared matches, but he has only 3 autosomal DNA matches in Family Tree DNA...how come?

09:14:36 From Fiona Brooker - New Zealand to Everyone: Martha P (USA) What is the best way to determine biological parents for my grandmother (B 1919). Me, my mom and my daughter have tested. I have tried using the Leeds method. Top possible matches would be 416 cM, 173cM, 124 cM, and 113 cM.

09:14:55 From Doug to Everyone: What should you do when your MyHeritage clusters are dominated by matches on one of the large Excess IBD Sharing Regions?

09:15:04 From Annie to Everyone: Finding out the exact relationship with someone who is a close DNA match but her father was adopted and has died. I am able to decide that it is on my paternal side but can't get any closer.

09:16:11 From 210 Ipad Air to Everyone: It is my moms DNA Match

09:16:13 From Jon Grubbs to Everyone: Would this match probably be a 2nd cousin with shared great-grandfather? ... Shared DNA: 176 cM across 5 segments Unweighted shared DNA: 176 cM Longest segment: 83 cM

09:16:26 From Rebecca's iPhone to Everyone: Q -follow up to my previous question. I forgot to say my match and I are both half Chinese and half British and I want to find out if we are related thru Chinese side. I have unknown Chinese parent. Tested at 23&me

09:17:13 From Fiona Brooker - New Zealand to Everyone: Cathy D (USA) I have a dozen single-segment 20-40 cM triangulated matches on Chr 5, I know it's my paternal grandmother's branch. How far back should I expect to find our closest common ancestor?

09:18:34 From Christine to Everyone: Hi from Christine in Mosgiel

09:18:57 From Phyllis to Everyone: What is clustering?

09:19:11 From Fiona Brooker - New Zealand to Everyone: You may have also heard clustering of DNA matches as the Leeds Method. Here's the first of my blog posts on this:
<https://memoriesintime.co.nz/blogs/news/sorting-your-dna-matches-with-the-leeds-method-part-1>

09:19:23 From Patricia to Everyone: ?? would my sister be helped by doing YDNA or does she have to have a male person todo that.?

09:19:42 From Pauline Weeks to Everyone: 500 online Well done ladies!



For further info please visit talkingfamilyhistory.com

09:19:54 From GoneResearching Lisa to Everyone: Fiona If you mother has any biological siblings, make sure to test them at the same place Because each would have inherited different pieces of DNA That generation would have more of your grandmother's DNA then you/your daughter

09:20:03 From Fiona Brooker - New Zealand to Everyone: @Patricia - only males can do yDNA

09:20:11 From Fiona Brooker - New Zealand to Everyone: Laura (USA)

Assuming the same amount Aof shared atDNA, ...which is a better indicator of how close a relative is, (a) the size of segments (all of which are above 7 cM) or (b) the number of segments. Eg: can we infer anything different in terms of relativity from five (5) 21 cM segments versus three (3) 35 cM segments v. one (1) 105 cM segment? Searched online, read articles.

09:20:53 From Gina to Everyone: Searching for biological parents of mother. No DNA on mother's level possible. Found 1 of the parents, but can't tell which one of the children is the parent, or if it's the father or mother. Some didn't have any children. Lots of divorces, only children, and half siblings. Can I at least tell if I've found the mother or father?

09:21:19 From Nan to Everyone: My Father has passed away, but I have access to his brothers (my uncle) DNA. You say to use your mothers, when working her side, because she is a generation closer...would I benefit using my uncles when working my fathers side, or would this not be beneficial, and what, if any would be downfalls?

09:21:34 From James Retson to Everyone: I add my test from 23&Me on wikitree. According to wikitree one of my daughters has my x chromosome and one doesn't. How is this possible an how does wikitree know if neither daughter has ever taken a test

09:21:52 From Lis to Everyone: Mornin* all from Port Macq Aust

09:21:58 From Sheila to Everyone: So so interesting but head is spinning, I need to hire a professional LOL

09:21:59 From Patricia to Everyone: So that means she has no hope of finding her father?

09:22:09 From Sandra Gerhardt to Everyone: Can Laura turn her microphone up? She is very quiet

09:22:12 From Fiona Brooker - New Zealand to Everyone: Tina (Canada)

Can Y-DNA or autosomal DNA confirm or dismiss an individual as a grandparent? In 1920, three adult brothers were living in the same home. One of these brothers is my dad's paternal grandfather. Unfortunately, only one of the three brothers had children. I found a direct male descendant for that brother (Richard). Richard matches my uncle at 200cM and my aunt at 306cM, on 23andMe (my father is no longer available to test). The 'Shared cM Project' at DNAPainter.com, suggests that both half 1st cousins or 2nd cousins are possible relationships. I ruled out the other suggested relationships based on event date, location, ages, and other relevant information.

09:22:19 From Fiona Brooker - New Zealand to Everyone: To confirm that I had the right male line, I compared 23andMe's predicted paternal haplogroup for my uncle with Richard's haplogroup. They matched, but someone suggested doing a Y-DNA test from FTNDA as well, for more accuracy. My uncle took the Y-37 test, as I didn't know which one to purchase. But, if I were to buy a test for Richard as well, I would like to know if it could help to determine whether or not Richard and my dad share a paternal grandfather.

09:22:42 From Linda Hathaway to Everyone: I've hit a brick wall on my maternal side of the family. I tested with MyHeritage and she tested with Ancestry. Should I retest with Ancestry in order to do clustering?



For further info please visit talkingfamilyhistory.com

09:22:49 From Diane to Everyone: My parents are first cousins and have passed a way. Then my great-grandparent in that line and his brother married sisters. What do I look for?

09:23:20 From Barbara Matul to Everyone: I have ancestors from different family lines who have married each other. What does this do to my DNA results?

09:23:22 From Kris-Australia to Everyone: Yes, I have accepted that I will never know which brother, of 3, is my grandfather.

09:23:31 From Fiona Brooker - New Zealand to Everyone: @Linda - testing at Ancestry will give you access to a bigger database.

09:23:49 From Laura Nygaard to Everyone: Searching for my grandmother's birth father. I had my aunt test before she passed. She is the closest to my grandmother to test. I have lots of matches to one family, but there are lots of brothers. Should I focus on the ones with the highest cM matches or the ones with the highest segment matches?

09:23:55 From Lucy Kazarovich - Alpha Phi to Everyone: My Dad

09:24:33 From Fiona Brooker - New Zealand to Everyone: Jennifer (USA)

A couple of years ago my aunt (mother's sister) had her DNA tested. When she got the results we were surprised to find that she was 27% Japanese. Wondering if this was a mistake because there is no Japanese ancestry in our line... my mother had her DNA tested. Sure enough hers came back 24%. So if we are assuming correctly then this means that one of their grandparents is full Japanese. There in lies the mystery. We have asked descendants of relatives of both my grandparents who have had DNA testing and they do not report having any Japanese. My sister, as well as a nephew have also had DNA that confirms the Japanese DNA. There are a couple of clues that lead us to think that it must be my grandfather's "father" that is Japanese. My question is, is there a possibility of finding any relatives through this Japanese line? How do we go about finding them? We have just looked at the DNA matches that are listed on Ancestry.

09:25:31 From Lucy Kazarovich - Alpha Phi to Everyone: My Dad's parents are both 100%Eastern European/Baltics while my Mom has several ethnic area with large amount of English, but no Scottish. Meanwhile my brother & I show more Scot dna versus English when we match on the same DNA matches. Why would we get Scot dna from Mom when she doesn't show any?

09:26:13 From karenkontrath to Everyone: LOVE Fionas genealogy goes sign 😊

09:26:18 From Susan O to Everyone: The father of my great-grandfather is unknown but family lore and DNA point to a surname and my great-grandfather married into that same family. (My theory is that he was the child of a youngest son and she was the grandchild of an oldest son.) If my great-grandfather and great-grandmother do share an ancestor, how will that complicate me sorting out the identity of my great-grandfather?

09:26:20 From karenkontrath to Everyone: goals

09:26:21 From Carolyn Bublitz to Everyone: discussion is so interesting and helpful

09:26:25 From Fiona Brooker - New Zealand to Everyone: Thanks @Karen

09:26:39 From Nikki Gounaris- Massachusetts to Everyone: I can hear you loud and clear

09:27:49 From rahnprice to Everyone: Do European testers and American testers tend to use one testing site over another?



For further info please visit talkingfamilyhistory.com

09:27:55 From Fiona Brooker - New Zealand to Everyone: Amanda (Aust)

I am trying to find DNA matches that link me to my 4th Great Grandparents or siblings of my 3rd Great grandmother.

My GGG Martha Shaw convict sent to Australia born 1808. Too many trees have incorrect info on her, she is not the daughter of William & Harriot. She also did not die in Bathurst. I want assistance to have proof of who her parents really are. I think her parents are John Shaw & Sarah Haigh but birth place on her conviction records & distance makes it questionable.

09:28:01 From Fiona Brooker - New Zealand to Everyone: I have searched find my past, conviction records, ancestry, members trees & some DNA matches.

If this is the wrong place to ask please advise.

Martha is my mum's mum, mum's mum Mum and when my mum passed away in 2012 This saying came over me, not knowing who she was at the time, I need to find as much answers as I can.

Her death is unknown with the story she was taken by Aborigines. She is not the deceased in Bathurst as I purchased the death certificate and is a very different lady.

Can you help me find a DNA link to her ancestors before coming to Australia?

09:28:02 From Mel Dunstan to Everyone: Yay for younger genetic genes!

09:28:03 From Lynn&ChrisBrown to Everyone: How do we get the handout

09:28:06 From Jeri to Everyone: I'm having difficulty convincing my male 1st and my male 2nd cousin to get tested and upload to GEDmatch so I can compare with others. They are paranoid about their DNA being hacked by someone. What can I say to convince them?

09:28:46 From Nikki Gounaris- Massachusetts to Everyone: I started my ancestry research in my later 20s and am 40 now. It's great to get people of all ages interested in ancestry and genealogy.

09:29:13 From karenkontrath to Everyone: A 967 cm match, thinking I have hit the jackpot on the bio fathers side for my sister, but I just need to figure out if Im on the right track or a generation off or a 1R, this match has 2 brothers, is it possible for one of them to be the bio father? Im torn the father the brother or the child from this cm match

09:29:17 From Fiona Brooker - New Zealand to Everyone: Nicola (England)

I have identified my husband's paternal grandfather as one of two Australian brothers. I found this out through Ancestry DNA matches. My husband also has a Y-DNA test from Family Tree. The younger of the two brothers had no children from his marriage, the older brother and most likely candidate, had three daughters. I have identified grandsons with whom I am in contact. I know that Y-DNA passes through the Male line however, my question is, if one of the grandsons took a Y-Dna test, would it be able to give us any proof that they had the same grandfather as my husband or would it be a waste of time and money. Thanks.

09:29:17 From Lisa to Everyone: This is probably really off topic....do any of you do forensic genealogy work? I am interested in pursuing that line of work and would appreciate tips to get started in this work

09:29:47 From Laurie Taber Olson to Everyone: Which type of DNA testing would best way to go to try and determine who the father of my 4x great-grandfather is? Y-DNA or Autosomal, etc. and which kind? My brother is in ill healthy but is willing to test if Y-DNA is best. I don't know to what depth might be best.

09:30:06 From karenkontrath to Everyone: I just looked into genetic DNA course in New Hampshire but I need a BS to take that course and its my goal to do this and make it happen



For further info please visit talkingfamilyhistory.com

09:30:30 From rahnprice to Everyone: My father's haplogroup on FTDNA is different than Living DNA. Why is that?

09:30:32 From Mary Ann Mericle to Everyone: Is there any help if my identical twin takes a DNA test? Her son has taken the test as have my children & I.

09:30:40 From karenkontrath to Everyone: They seem to have an amazing program to take for Genetic Genealogy

09:30:59 From cheryldevitt to Everyone: I am confused by the DNA story I received from Ancestry. I have accurate research that shows my father's family was from England. My mother's family was from Ireland and original French settler's to Quebec. Yet my DNA story states 51% England, 31% Scotland; 15% Ireland; 3% Wales and only additional comment was French settlers to Quebec. Why is it so different?

09:31:18 From Fiona Brooker - New Zealand to Everyone: Liz M (Aust)

Trying to find my husbands ggrandfather. We know the GGrandmother and she had 2 more illegitimate children who we have traced to a paternal line but Arthur does not relate to him. His line is in Texas QLD and his matches relate to 3 lines approx. I am not ssure how to drill down and get closer. We do not know any of this family to ask for dribbles into the tube. His closest match on this line 160cm 9 segments (2nd to 3rd Cousin)

09:33:31 From Tom to Everyone: What is the best way to utilize DNA to find an adopted 2x great-grandfather if I have matches that are connected to the surname from 3 generations further back from him. How can I drill down to fill in the gap?

09:33:37 From Marilyn Souders to Everyone: Do you have any tips for searching for New Zealand relatives when you don't know the most common ancestor? Have many matches in NZ but none of them recognize the Hawaiian surnames. Thanks!

09:33:52 From Maria to Everyone: Is there an article that you would recommend re: when DNA isn't inherited and why that happens?

09:34:07 From Fiona Brooker - New Zealand to Everyone: @Marilyn look for Elena's recordings from RootsTech 2021

09:34:22 From Jon Grubbs to Everyone: 34,054 of my relatives have joined.

09:34:52 From Fiona Brooker - New Zealand to Everyone: Karen (USA)

My sister inlaw was adopted from Casa Hogar de la Esperanza Orphanage in Tijuana Mexico. She believes she was there with a sister. We are trying to find her sister. DNA results are very low (87cM). I have tried calling and sending email to orphanage, but have not received a response. What would you recommend we do next to try and get her connected. Finding her sister is her highest desire, but if we found her parents she would like that too. I am just sure where to go from here am I missing something in here DNA results?

09:35:40 From Robin Lambert to Everyone: Can one change one's conference registration settings, to better connect with other participants, to fish in more ponds?

09:36:22 From joyce quinn to Everyone: If I signed up for all access for conference, how do I get the results of who I am related to? I did not upload any dna results but do have a Family Search tree

09:37:16 From Christine Tregonning - New Zealand to Everyone: I realise that you don't have a right to get to know your DNA relatives on a personal level but how would you go about asking for information and/or photos about your newly discovered great grandparents and great great grandfathers. Thanks.



For further info please visit talkingfamilyhistory.com

09:37:16 From Fiona Brooker - New Zealand to Everyone: @Robin & @Joyce - the Relatives at Rootstech is not connected to your DNA. You can sign up for this from the menu in the top right of the Rootstech screen.

09:37:24 From Jon Grubbs to Everyone: <https://familysearch.org/connect>

09:37:30 From Fiona Brooker - New Zealand to Everyone: Mary Lou (USA) - Question 2

Suspect an NPE in Halifax, Nova Scotia. Samuel Duncan, age 19 and Robert Hill Duncan, age 8 landed in Boston 1837 in family group with Robert's father James (born Co. Antrim Ireland 1794). Samuel was NOT a son of James but Samuel's son was said to be a cousin. Robert born Halifax either 1827 or 1829. YDNA of direct descendant of Samuel brought several hundred Scottish names (none Duncan) matching 67 markers. Direct descendant of Robert YDNA (my son) has ONE 37 marker match in 6 years - of a different surname, Lyster. Lyster family lived in Halifax in 1820s lead by "Handsome Ben" Lyster. I have checked Canadian census, U.S. census, deeds both places, followed Lyster and Duncan families, researched in Ireland. My son and his brothers are only direct male descendants of Robert Duncan. Son's haplogroup is an E. Trying to find James Duncan's DNA and parentage. Genealogist for 40 years.

09:37:30 From Cathy Ivins to Everyone: Recently solved husband's paternity and he matched his 3 half sisters so differently! One was 1,930 cM, the other two are twins. One twin matched at 1,325 cM and the other twin at 1,270. Such a crazy difference! The last here was the first one who tested and we didn't know at first if she was a cousin or half sibling.

09:37:36 From Nikki Gounaris- Massachusetts to Everyone: on the FamilyTree app there is a link at the top of the tree to see how many RootsTech attendees you are related to

09:37:39 From Me Nucci to Everyone: I have half siblings I have never met. I was matched to one of my half siblings on ancestry; we had a solved mystery for Gr Gma's brother who vanished; and another mystery to unravel with a match that appears to be due to a secret relationship

09:38:19 From Me Nucci to Everyone: DNA has been wonderful with understanding the genetic genealogy, most of which I'd never have gotten to know without the DNA

09:38:38 From Robin Fondow to Everyone: Ancestry DNA states I am 38% Swedish/Denmark, but 3/4 of my grandparents came from Germany. Does this mean the German ancestors probably came from Sweden/Denmark?

09:39:12 From Beth Powell to Everyone: My 2 times great grandfather was a foundling and given the surname that survives to this day. The surviving male is through his mother this line. What DNA testing should I ask him to do? My mom at 94 is a direct descendant as well.

09:39:19 From Debbie Kennett to Everyone: There is an ISOGG Wiki page on forensic genealogy (otherwise known as heir hunting). The APG has a forensic genealogy special interest group. https://isogg.org/wiki/Forensic_genealogy

09:39:20 From Ellen Foppes to Everyone: my family has a woman who gave up 2 sons but only a few family members are aware of this

09:39:26 From Jon Grubbs to Everyone: We have an NPE on my family tree regarding my 2nd great-grandfather, and my Uncle's strongest Y-DNA match was adopted, so it makes it even harder to figure out.

09:39:28 From Stockman to Everyone: If family members tested their dna at 23andMe do you need to use the same testing site or can you use Ancestry and connect to 23andMe?



For further info please visit talkingfamilyhistory.com

09:39:29 From linda & thom to Everyone: I have come to the conclusion that a 2G grandfather was the child of an unmarried woman. He took the last name of his mother. Would it be the descendants of this woman, or her siblings who would be best to find for targeted testing? Also, would Y-DNA testing be helpful if I could find any males in the mother's line to test? Or, I think I could more easily find a male descendant of this 2G grandfather to Y-DNA test. Which would be best? Or find some of each?

09:40:22 From Fiona Brooker - New Zealand to Everyone: I have a missing maternal great grand father, I have checked my mums DNA matches I got mums DNA when she was 99 years old in 2017, !. I am an only child. My grand mother was also an only child. Her name was Beatrice Wynne born 1890 in Tilston, Cheshire, England. It really bugs me, as I would have thought it would be obvious in Sheila Conways DNA results as this man would be her grand father ! So the only thing I can think is its another family member. Beatrice's mother Sarah Wynne born 1864 was un married & lived with her parents & younger brother who was born in 1866. In a small cottage. So I need help to decide if this is in fact the case in which case it would be incest.

09:40:29 From Karen de Bruyne to Everyone: my husband's grandmother gave her youngest child to her childless sister

09:40:58 From Steve S to Everyone: Hi - both my wife and I have had Ancestry DNA tests performed. Would there be any benefit if our daughter testing as well - is it likely to show other links that would assist us? Thank you

09:42:42 From Fiona Brooker - New Zealand to Everyone: DNA Painter too:
<https://dnainter.com/tools/sharedcmv4>

09:44:53 From Fiona Brooker - New Zealand to Everyone: Doreen (USA)

I am trying to figure out who my great grandfather was, my maternal grandmother was fathered by a British soldier or sailor out of wedlock in Portsmouth, Hampshire in 1898. The four 2nd cousin DNA matches (110-140+ cm) I have from Ancestry which should connect to that branch of the family are not showing on the ThruLine for the man's name I put in my tree. However, a DNA connection of 10cm did come up as also a second cousin which does not seem to be nearly close enough. I am afraid I have selected the wrong guy, Joseph Wayper, to put in there, although he fits my criteria for age and dates when he was a sailor and stationed in Portsmouth although does seem to be related to me somehow otherwise there would be no ThruLine connection at all.

09:44:55 From Fiona Brooker - New Zealand to Everyone: How else can I find the right guy? I have used DNA matches in Ancestry, 23andMe and MyHeritage besides copious research on Ancestry resources and Fold3 for likely soldier/sailor candidates. I also had personal messages between me and one of the second cousins on Ancestry and one on 23 andMe to guide my search to focus on the Tyne and Wear/Durham and maybe Scotland areas. The London area which is mentioned in my DNA profile is from my great grandmother's side of the family. Help !

09:46:01 From karenkontrath to Everyone: Im paper and pen as well

09:46:04 From Fiona Brooker - New Zealand to Everyone: Here's my DNA Match Chart so that I can build other people's trees: <https://memoriesintime.co.nz/collections/family-history/products/dna-match-chart-downloadable>

09:46:05 From Rose Brenner-Schwartz to Everyone: Hello I have a dna cousin with whom I share 315 cm my full aunt shares 415 cm. but he shares 1854 with my second cousin and 1795 with another 2cnd cousin sibling to the first. both are daughter or my aunt's paternal aunt. he was adopted at birth. With no paperwork given over at the time. (My aunt and her half sister share 1520 cm) we believe he is the son of



For further info please visit talkingfamilyhistory.com

my gr aunt's son who died at 25 but has had 2 previously unknown children recently show up in dna. And we believe he is the third. What are the chances in your opinion that he is the half brother of the 2cnd cousins he shares such high cm with?

09:46:22 From Elizabeth Boyd to Everyone: My mother's ATDNA test was 3% aZKENAZI SO IS THAT HER gr-gr GRANDPARENT???

09:47:10 From Fiona Brooker - New Zealand to Everyone: Josie (USA)

I have 2 closely related DNA matches on Ancestry.com who are related to me through their shared biological father (they are half sisters, different mothers). Person "A" is my closest match on Ancestry (1,035 cM | 15% shared DNA with me). This is more shared DNA than my known first cousin (1st cousin on my father's side- 766 cM | 11% shared DNA). Person "A"'s half sister, Person "B" shares 581 cM | 8% shared DNA with me. My question: How can person "A" share twice as much DNA with me than her sister, person "B"? And how can she be more strongly related than my first cousin with whom I share grandparents?

09:47:26 From Joyce to Everyone: my brother and I only share about 2,600 of our 5,600 matches, and we are full siblings.

09:47:54 From Fiona Brooker - New Zealand to Everyone: Rebecca B (USA)

Our family had post mortem DNA from a relative collected, tested and banked. The mtDNA test was run by SecuriGene. My basic understanding of this test is that it follows the maternal line. We would like to have an autosomal test run on the DNA so that we can have addition information, but have not found a lab that does post mortem autosomal testing. Can you help us? Any suggestions would be welcome.

09:48:39 From Fiona Brooker - New Zealand to Everyone: Catherine (Aust)

Have I broken through a brick wall? My GG Grandmother Jane Ruth Kirby Dale bapt 8 May 1810 Deptford, London parents John & Ann Dale. I have found potential parents John Dale and Mary Ann Dobinson married 28 Oct 1810, Deptford. Two problems with this are mother's name and they married 6 months after Jane was baptised.

Mary Ann's parents were William Dobinson and Sophia Busbee. I share DNA with two of this couple's sons. One at 7cM and the other at 6cM. The paper trail for them back to William and Sophia is solid. If correct both are my 5th cousins. Question- Is this enough evidence to prove that Jane's parents were John Dale and Mary Ann Dobinson? Thankyou in advance for any help you can give me.

09:48:43 From Laura Kennedy to Everyone: Can you repost your mailing list link

09:49:06 From Fiona Brooker - New Zealand to Everyone: <https://talkingfamilyhistory.com/>

09:49:40 From Fiona Brooker - New Zealand to Everyone: Amber (USA) I have recently found 8th 10th and 12th cousins that share 10-7cm with me or my father. Is that even possible? How do i stay on track when trying to figure out Relationships 7th cousins a beyond.

09:49:49 From CF to Everyone: Thankyou for your help

09:51:20 From Fiona Brooker - New Zealand to Everyone: Christine M (USA)

My question is: if both my parents and all my living grandparents have had a DNA test, is there any advantage to me getting a test, too? Or is all the information already there with their tests? (They just got the basic Ancestry test).

09:52:09 From Jon Grubbs to Everyone: I tested in 2013, both parents tested in 2017, and my two sons have both tested since then.



For further info please visit talkingfamilyhistory.com

09:52:33 From Fiona Brooker - New Zealand to Everyone: Fiona M (Aust)

Can you please give any ideas/ work arounds for identifying a no tree/ non-responding DNA Match who is on your brick wall line? I am in Australia, brick wall line is North East Scotland this past 100 years- so DNA Match could still be there, or with emigration anywhere else in the world! I have tried some with no success but hope you have a few more ideas?

09:52:53 From Fiona in Australia to Everyone: thanks!

09:53:12 From Angelis Iglesias to Everyone: I am an only child 64. Is there any way I can trace my father's DNA?

09:53:19 From Kris-Australia to Everyone: What! People who don't do Genealogy 24x7?????

09:53:27 From Christina Becher to Everyone: LoL

09:53:47 From Fiona Brooker - New Zealand to Everyone: Mary K (USA)

I have a huge cluster of matches that I suspect are descendants of the brother of my 2nd great grandmother (Irish, from North Co Kerry). The locations makes sense, there are a number of witnesses on births and marriages that suggest close relationships, and I have one useful obituary that lists a lot of chief mourners at a funeral who were "cousins". (They were some sort of cousins of the widow, not the deceased. I have ID'd many of the people mentioned in a research tree and suspect that some were first cousins and others were more distant.)

09:53:48 From Fiona Brooker - New Zealand to Everyone: But I don't have records to show the parents of my 2nd great grandmother or the suspected brother. I've also tabulated all the children's names of both couples to see whether I could predict their parents' names.

But I am stuck. So I am wondering whether to hire someone to help combine my limited data from records with the genetic data to write a coherent case for the two presumed siblings. But every time I think of going down that road, I wonder whether I can find someone well versed in local Kerry records as well as in genetic genealogy or whether I need to hire two people.

I've built a huge private unsearchable tree for the suspected brother of my 2nd great grandmother, and I'd like to connect the siblings with an "unknown" parent in a public tree, but I really don't want to do that without a written case for doing so. Thanks!

09:54:12 From Me Nucci to Everyone: there are so many sites, so I will find that I forget to go back to one site or the other for months or even years.

09:54:45 From Mary Kennedy to Everyone: Thank you!

09:55:33 From Rebecca's iPhone to Everyone: Massage cheeks helps too

09:55:52 From Doug to Everyone: Or use MyHeritage. Swab cheeks instead of spit.

09:56:24 From Scarlett to Everyone: smelling strong vinegar or a lemon does it for me 😊

09:56:24 From Me Nucci to Everyone: This has been so wonderfully fire hosing! I've enjoyed your answers, the questions, and look forward to the recording so I can go back to this and keep making more and more sense of using DNA for genetic genealogy. Thank you all so much!

09:56:53 From Lisa to Everyone: thanks ladies!!

09:57:07 From Dale Ketcheson to Everyone: Thank you do much!



For further info please visit talkingfamilyhistory.com

09:57:09 From Bev - AKL to Everyone: many tks again

09:57:19 From Tony Corbett, Dunedin NZ to Everyone: thank you ladies, another wonderful session and much valuable information. Cheers from the mainland

09:57:24 From Patricia to Everyone: Excellent presentation ladies!! tyvm

09:57:24 From John Taylor to Everyone: Thank you ladies!!

09:57:25 From Thomas Dorsey to Everyone: Thank you for your talk!

09:57:29 From Scarlett to Everyone: Thank you so much! Great workshop!

09:57:35 From karenkontrath to Everyone: Agreed and sometimes someone will explain it just a little different and then something clicks

09:57:36 From Sherry Severs to Everyone: Thank you so much Ladies

09:57:45 From Laura Passey to Everyone: Thank you!

09:57:48 From Karen Harrison to Everyone: Good questions and answers- thanks

09:57:54 From Becky S to Everyone: Thank you!

09:58:00 From Hillary, NSW, Australia to Everyone: Thanks Fiona, Michelle and Laura, great session

09:58:48 From karenkontrath to Everyone: Thank you ladies, great time spent with you all

09:58:52 From Christy Dolan to Everyone: Thank you!!

09:58:55 From Fiona Brooker - New Zealand to Everyone: Use the Discount code RT2022DNA to get 20% off our DNA Discovery First Steps course an the Building Your Genetic Tree Webinar here:

<https://memoriesintime.co.nz/collections/talking-family-history>

09:59:12 From Jennifer McDonald to Everyone: Thank you!

09:59:19 From Rebecca's iPhone to Everyone: Thanks to all!

09:59:26 From Vic E to Everyone: Thanks !

09:59:26 From Elizabeth Vidal to Everyone: Thank you!

09:59:35 From Laura Nygaard to Everyone: Which Laura, there is more than one?

09:59:57 From tambrab to Everyone: THANK YOU SO VERY MUCH. VERY INFORMATIVE.

10:00:00 From Shari Shanklin to Everyone: Thank you! This was great!

10:00:08 From Karen de Bruyne to Everyone: thank you very interesting talk

10:00:17 From Kris-Australia to Everyone: Thanks! Great!

10:00:19 From Diane Kinzett - NZ to Everyone: Thanks Ladies Great to have a young face bLaura

10:00:29 From UORICE DECOHEN to Everyone: THANK YOU

10:00:30 From Bob Snurr to Everyone: Thank you

10:00:31 From Maggie to Everyone: Thank you!

10:00:34 From Karin Fancett to Everyone: Thanks



For further info please visit talkingfamilyhistory.com

10:00:36 From Kim Parsons to Everyone: Thank you!!!

10:00:38 From max to Everyone: Thank you, very helpful

10:00:38 From Linda Hathaway to Everyone: Thanks so much!

10:00:40 From Denise to Everyone: Thank you!

10:00:40 From Sheila to Everyone: Thanks so ,much ladies, this has been great!

10:00:44 From Carolyn Johnston, Timaru to Everyone: Thank you so much, a very interesting presentation as always, love listening to you ladies!

10:00:45 From Dorothy Lewis to Everyone: Thank you..so informative!

10:00:47 From Naomi Jenkins to Everyone: Thank you. Very helpful

10:01:00 From Laura Kennedy to Everyone: Thank you I will email you now

10:01:00 From Twining Family to Everyone: Thanks

10:01:01 From Denise J to Everyone: thank you

10:01:04 From Christina Becher to Everyone: ty!

10:01:04 From Kathleen Pugliese to Everyone: ty

10:01:04 From Cindy to Everyone: Thank you

10:01:04 From Rose Brenner-Schwartz to Everyone: Thank you for your help and time!

10:01:11 From robbie to Everyone: So very grateful !

10:01:36 From Lis -Port Macquarie Australia to Everyone: Thanks guys.

10:01:46 From julie to Everyone: Thanks so much! Appreciate the knowledge.

10:01:57 From Sandra Gerhardt to Everyone: It will be great to have Laura join TFH on Friday night

10:02:54 From Jon Grubbs to Everyone: how many generations back is a 2-step Y-111 DNA match when they are also showing shared cMs in FamilyFinder, and their daughter is showing shared cMs from her test at Ancestry?

10:03:04 From Hillary, NSW, Australia to Everyone: We need to convince Laura House to join us on our Friday TFH. Laura will fit in perfectly!!!

10:03:21 From Laura House to Everyone: <https://learn.familytreedna.com/y-dna-testing/y-str/two-men-share-surname-genetic-distance-111-y-chromosome-str-markers-interpreted/>

10:03:23 From Wendy Howard - Kaiwaka NZ to Everyone: Great session guys! :-)

10:03:29 From Diane Kinzett - NZ to Everyone: Yes please join us Laura

10:03:33 From Jon Grubbs to Everyone: Thank you!!