

# CONTROLLED DYNAMICS

the strength of  
a simple *IDEA*®



2021  
PRODUCT CATALOG

[www.controlleddynamics.com](http://www.controlleddynamics.com)

## OUR MISSION

At Controlled Dynamics, our mission is to provide a more versatile alternative to traditional t-slot structural aluminum systems – further expanding the potential of aluminum as the preferred material for structural applications. We realize our mission by manufacturing precision engineered structural aluminum products that are the epitome of quality, strength, and value.

## AN ENGINEERED SOLUTION

Our patented ANGLE-LOCK™ fastening system creates mechanically locked joints, optimizing the strength of each profile. Higher grade (12.9) fasteners allow the bolts to stretch slightly when tightened to specification, creating a spring effect which dramatically improves resistance to failure. It also enables assemblies to stay in perfect alignment in both static and dynamic situations.

## DISTINCT INDUSTRIAL FINISH

Superior, Type II Architectural Class I (18-micron thickness) anodizing on profiles provides the highest level of protection available to resist outdoor and industrial hazards such as scratches, corrosion, and UV fading. Standard components have a Class II (10 micron) black anodized finish.

## MAXIMIZED POTENTIAL

Our profiles and components are specifically engineered for maximum strength and performance. Lightweight and highly configurable, the Controlled Dynamics system assembles, disassembles, and moves with ease, allowing for effortless customization and repurposing.

## LOWER COST OF OWNERSHIP

Best of all, your overall costs and frustrations from purchasing to end of life are lower when you consider: (1) Components are ordered as complete kits that include everything you need. (2) Preassembled, self-aligning components mean faster assembly. (3) The patented fastening system ensures assemblies stay together with no ongoing maintenance issues.

## FASTER ASSEMBLY

Innovative components and fastening methods mean no machining or special tools are required to assemble your designs. Unique, precision alignment shoulders built into all components eliminate profile skewing and enable rapid assembly without having to align and re-align completed assemblies. Our framing system technology is faster, easier and more dynamic than the rest!

## CATALOG NAVIGATION

Products in this catalog are organized into Profiles, Components, Rivet System, Doors and Floors, Accessories, and Hardware. Easily find the desired section utilizing the tabs located to the right.

- **PROFILES:** the aluminum extrusion shapes available with our ANGLE-LOCK™ fastening system. They are available in lengths ranging from 25 mm (1") to 3683mm (145") and in some cases 25mm (1") to 6120mm (241").

- **COMPONENTS:** the brackets and adapters needed to connect profiles together and meet other project needs.

- **RIVET SYSTEM:** a flexible system of parts that pushes the boundaries of what's capable within your structural aluminum project.

- **DOORS AND FLOORS:** related items include hinges, leveling feet, casters, and handles.

- **ACCESSORIES:** additional items you may need to complete your structural aluminum project.

- **HARDWARE:** bulk fasteners, drop-in fasteners, and straight nuts to attach nearly anything to our profiles.



PROFILES

COMPONENTS

RIVET SYSTEM

DOORS AND FLOORS

ACCESSORIES

HARDWARE

# PROFILES

Controlled Dynamics' profiles are specifically engineered for maximum strength, performance, and precision. These unique tight-tolerance profiles work in conjunction with our patented ANGLE-LOCK® fastening system to provide a mechanically locked joint. Profiles are available in full lengths or cut to your specifications, and are offered in three finishes: our signature Light Bronze Anodized, Black Anodized, and Clear Anodized. All finishes are a Type II Architectural Class I Anodize.

40 SERIES PROFILES

DESCRIPTION	PART #	PAGE
20x40 1-Slot Single Flange SD	40P04-101X-010	5
20x40 1-Slot Double Flange SD	40P04-101X-000	5
20x120 3-Slot LD Panel	40P03-303X-000	5
40x40 4-Slot SD	40P04-114X-000	6
40x40 4-Slot HD	40P05-114X-000	6
40x40 3-Slot SD	40P04-113X-010	6
40x40 3-Slot SD Single Flange	40P04-113X-020	7
40x40 2-Slot 90° SD	40P04-112X-000	7
40x40 2-Slot 180° SD	40P04-115X-000	7
40mm LD Hand Rail	40P03-001X-000	8
40x80 6-Slot HD	40P05-124X-000	8
40x80 3-Slot 90° SD	40P04-122X-000	8
40x120 8-Slot SD	40P04-134X-000	9
40x120 4-Slot 90° SD	40P04-132X-000	9
50x80 4-Slot Single Flange LD	40P03-123X-010	10
55x55 3-Slot 45° Outside Corner SD	40P04-113X-000	10
70x70 3-Slot 3-Way SD	40P04-773X-000	10
70x70 1-Slot 3-Way SD	40P04-771X-000	11
70x70 3-Slot 3-Way Inset Panel SD	40P04-773X-010	11
80x80 8-Slot HD	40P05-224X-000	11
80x120 10-Slot LD	40P03-234X-00C	12
80x120 10-Slot SD	40P04-234X-000	12
90x90 4-Slot Inside Corner SD	40P04-992X-000	13

**20X40 1-SLOT SINGLE FLANGE STANDARD DUTY 40P04-101X-010**

Material	6005-T5	
Finish/Color: Type II, Architectural Class I Anodized	LIGHT BRONZE	40P04-1012-010
	BLACK	40P04-1011-010
	CLEAR	40P04-1014-010
	METRIC	SAE
Weight per length	1.442 kg/m	0.969 lb/ft
Available Length(s): 40P04-101X-010 40P04-101X-01C	3683 mm 25-3683 mm	145" 1" to 145"
Cross-Sectional Area	5.339 cm <sup>2</sup>	0.828 in <sup>2</sup>
Moment of Inertia	I <sub>x</sub> =2.311 cm <sup>4</sup> I <sub>y</sub> =13.864 cm <sup>4</sup>	I <sub>x</sub> =0.056 in <sup>4</sup> I <sub>y</sub> =0.333 in <sup>4</sup>

**Quick Tip:** Easily machine the flange for wall-mounted applications.

**20X40 1-SLOT DOUBLE FLANGE STANDARD DUTY 40P04-101X-000**

Material	6005-T5	
Finish/Color: Type II, Architectural Class I Anodized	LIGHT BRONZE	40P04-1012-000
	BLACK	40P04-1011-000
	CLEAR	40P04-1014-000
	METRIC	SAE
Weight per length	1.700 kg/m	1.143 lb/ft
Available Length(s): 40P04-101X-000 40P04-101X-00C	3683 mm 25-3683 mm	145" 1" to 145"
Cross-Sectional Area	6.297 cm <sup>2</sup>	0.976 in <sup>2</sup>
Moment of Inertia	I <sub>x</sub> =2.583 cm <sup>4</sup> I <sub>y</sub> =23.784 cm <sup>4</sup>	I <sub>x</sub> =0.062 in <sup>4</sup> I <sub>y</sub> =0.571 in <sup>4</sup>

**Quick Tip:** Easily machine the flange for wall-mounted applications.

**20X120 3-SLOT LIGHT DUTY WITH PANEL GROOVE 40P03-303X-000**

Material	6005-T5	
Finish/Color: Type II, Architectural Class I Anodized	LIGHT BRONZE	40P03-3032-000
	BLACK	40P03-3031-000
	CLEAR	40P03-3034-000
	METRIC	SAE
Weight per length	1.816 kg/m	1.220 lb/ft
Available Length(s): 40P03-303X-010 40P03-303X-01C	3683 mm 25-3683 mm	145" 1" to 145"
Cross-Sectional Area	6.727 cm <sup>2</sup>	1.043 in <sup>2</sup>
Moment of Inertia	I <sub>x</sub> =3.555 cm <sup>4</sup> I <sub>y</sub> =92.355 cm <sup>4</sup>	I <sub>x</sub> =0.085 in <sup>4</sup> I <sub>y</sub> =2.217 in <sup>4</sup>

**Quick Tip:** Easily construct drawer boxes using this profile and a 3mm or 1/8 " thick panel for a drawer bottom.

PROFILES

COMPONENTS

RIVET SYSTEM

DOORS AND FLOORS

ACCESSORIES

HARDWARE

## 40X40 4-SLOT STANDARD DUTY 40P04-114X-000

Material	6005-T5		
Finish/Color: Type II, Architectural Class I Anodized	LIGHT BRONZE	40P04-1142-000	
	BLACK	40P04-1141-000	
	CLEAR	40P04-1144-000	
	METRIC	SAE	
Weight per length	1.962 kg/m	1.318 lb/ft	
Available Length(s): 40P04-114X-000 40P04-114X-00C	3683 mm 25-3683 mm	145" 1" to 145"	
Cross-Sectional Area	7.266 cm <sup>2</sup>	1.126 in <sup>2</sup>	
Moment of Inertia	$I_x=11.112 \text{ cm}^4$ $I_y=11.112 \text{ cm}^4$	$I_x=0.267 \text{ in}^4$ $I_y=0.267 \text{ in}^4$	

## 40X40 4-SLOT HEAVY DUTY 40P05-114X-000

Material	6005-T5		
Finish/Color: Type II, Architectural Class I Anodized	LIGHT BRONZE	40P05-1142-000	
	BLACK	40P05-1141-000	
	CLEAR	40P05-1144-000	
	METRIC	SAE	
Weight per length	2.350 kg/m	1.579 lb/ft	
Available Length(s): 40P05-114X-000 40P05-114X-00C	3683 mm 25-3683 mm	145" 1" to 145"	
Cross-Sectional Area	8.705 cm <sup>2</sup>	1.349 in <sup>2</sup>	
Moment of Inertia	$I_x=14.173 \text{ cm}^4$ $I_y=14.173 \text{ cm}^4$	$I_x=0.341 \text{ in}^4$ $I_y=0.341 \text{ in}^4$	

## 40X40 3-SLOT STANDARD DUTY 40P04-113X-040

Material	6005-T5		
Finish/Color: Type II, Architectural Class I Anodized	LIGHT BRONZE	40P04-1132-010	
	BLACK	40P04-1131-010	
	CLEAR	40P04-1134-010	
	METRIC	SAE	
Weight per length	1.885 kg/m	1.267 lb/ft	
Available Length(s): 40P04-113X-000 40P04-113X-00C	3683 mm 25-3683 mm	145" 1" to 145"	
Cross-Sectional Area	6.983 cm <sup>2</sup>	1.082 in <sup>2</sup>	
Moment of Inertia	$I_x=10.666 \text{ cm}^4$ $I_y=11.060 \text{ cm}^4$	$I_x=0.256 \text{ in}^4$ $I_y=0.266 \text{ in}^4$	

## 40X40 3-SLOT SINGLE FLANGE STANDARD DUTY 40P04-113X-020

Material	6005-T5		
Finish/Color: Type II, Architectural Class I Anodized	LIGHT BRONZE	40P04-1132-020	
	BLACK	40P04-1131-020	
	CLEAR	40P04-1134-020	
	METRIC	SAE	
Weight per length	2.140 kg/m	1.438 lb/ft	
Available Length(s): 40P04-113X-020 40P04-113X-02C	3683 mm 25-3683 mm	145" 1" to 145"	
Cross-Sectional Area	7.928 cm <sup>2</sup>	1.229 in <sup>2</sup>	
Moment of Inertia	$I_x=11.045 \text{ cm}^4$ $I_y=20.759 \text{ cm}^4$	$I_x=0.265 \text{ in}^4$ $I_y=0.499 \text{ in}^4$	

**Quick Tip:** Easily machine the flange for wall-mounted applications.

## 40X40 2-SLOT 90° STANDARD DUTY 40P04-112X-000

Material	6005-T5		
Finish/Color: Type II, Architectural Class I Anodized	LIGHT BRONZE	40P04-1122-000	
	BLACK	40P04-1121-000	
	CLEAR	40P04-1124-000	
	METRIC	SAE	
Weight per length	1.907 kg/m	1.282 lb/ft	
Available Length(s): 40P04-112X-000 40P04-112X-00C	3683 mm 25-3683 mm	145" 1" to 145"	
Cross-Sectional Area	7.064 cm <sup>2</sup>	1.095 in <sup>2</sup>	
Moment of Inertia	$I_x=11.153 \text{ cm}^4$ $I_y=11.153 \text{ cm}^4$	$I_x=0.268 \text{ in}^4$ $I_y=0.268 \text{ in}^4$	

## 40X40 2-SLOT 180° STANDARD DUTY 40P04-115X-000

Material	6005-T5		
Finish/Color: Type II, Architectural Class I Anodized	LIGHT BRONZE	40P04-1152-000	
	BLACK	40P04-1151-000	
	CLEAR	40P04-1154-000	
	METRIC	SAE	
Weight per length	1.809 kg/m	1.216 lb/ft	
Available Length(s): 40P04-115X-000 40P04-115X-00C	3683 mm 25-3683 mm	145" 1" to 145"	
Cross-Sectional Area	6.700 cm <sup>2</sup>	1.038 in <sup>2</sup>	
Moment of Inertia	$I_x=10.219 \text{ cm}^4$ $I_y=11.019 \text{ cm}^4$	$I_x=0.246 \text{ in}^4$ $I_y=0.265 \text{ in}^4$	

PROFILES

COMPONENTS

RIVET SYSTEM

DOORS AND FLOORS

ACCESSORIES

HARDWARE

## 40MM HAND RAIL LIGHT DUTY 40P03-001X-000

Material	6005-T5		
Finish/Color: Type II, Architectural Class I Anodized	LIGHT BRONZE	40P03-0012-000	
	BLACK	40P03-0011-000	
	CLEAR	40P03-0014-000	
	METRIC	SAE	
Weight per length	1.313 kg/m	0.882 lb/ft	
Available Length(s):	3683 mm 25-3683 mm	145" 1" to 145"	
Cross-Sectional Area	4.863 cm <sup>2</sup>	0.754 in <sup>2</sup>	
Moment of Inertia	I <sub>x</sub> =6.841 cm <sup>4</sup> I <sub>y</sub> =9.712 cm <sup>4</sup>	I <sub>x</sub> =0.164 in <sup>4</sup> I <sub>y</sub> =0.233 in <sup>4</sup>	

## 40X80 6-SLOT HEAVY DUTY 40P05-124X-000

Material	6005-T5		
Finish/Color: Type II, Architectural Class I Anodized	LIGHT BRONZE	40P05-1242-000	
	BLACK	40P05-1241-000	
	CLEAR	40P05-1244-000	
	METRIC	SAE	
Weight per length	3.928 kg/m	2.639 lb/ft	
Available Length(s):	3683 mm 6120 mm 25-6120 mm	145" 241" 1" to 241"	
Cross-Sectional Area	14.629 cm <sup>2</sup>	2.267 in <sup>2</sup>	
Moment of Inertia	I <sub>x</sub> =97.746 cm <sup>4</sup> I <sub>y</sub> =24.970 cm <sup>4</sup>	I <sub>x</sub> =2.348 in <sup>4</sup> I <sub>y</sub> =0.600 in <sup>4</sup>	

## 40X80 3-SLOT 90° STANDARD DUTY 40P04-122X-000

Material	6005-T5		
Finish/Color: Type II, Architectural Class I Anodized	LIGHT BRONZE	40P04-1222-000	
	BLACK	40P04-1221-000	
	CLEAR	40P04-1224-000	
	METRIC	SAE	
Weight per length	2.977 kg/m	2.000 lb/ft	
Available Length(s):	3683 mm 25-3683 mm	145" 1" to 145"	
Cross-Sectional Area	11.025 cm <sup>2</sup>	1.709 in <sup>2</sup>	
Moment of Inertia	I <sub>x</sub> =73.301 cm <sup>4</sup> I <sub>y</sub> =19.907 cm <sup>4</sup>	I <sub>x</sub> =1.761 in <sup>4</sup> I <sub>y</sub> =0.478 in <sup>4</sup>	

## 40X120 8-SLOT STANDARD DUTY 40P04-134X-000

Material	6005-T5		
Finish/Color: Type II, Architectural Class I Anodized	LIGHT BRONZE	40P04-1342-000	
	BLACK	40P04-1341-000	
	CLEAR	40P04-1344-000	
	METRIC	SAE	
Weight per length	4.356 kg/m	2.927 lb/ft	
Available Length(s):	3683 mm 25-3683 mm	145" 1" to 145"	
Cross-Sectional Area	16.135 cm <sup>2</sup>	2.501 in <sup>2</sup>	
Moment of Inertia	I <sub>x</sub> =243.149 cm <sup>4</sup> I <sub>y</sub> =28.296 cm <sup>4</sup>	I <sub>x</sub> =5.842 in <sup>4</sup> I <sub>y</sub> =0.680 in <sup>4</sup>	

## 40X120 4-SLOT 90° STANDARD DUTY 40P04-132X-000

Material	6005-T5		
Finish/Color: Type II, Architectural Class I Anodized	LIGHT BRONZE	40P04-1322-000	
	BLACK	40P04-1321-000	
	CLEAR	40P04-1324-000	
	METRIC	SAE	
Weight per length	4.184 kg/m	2.812 lb/ft	
Available Length(s):	3683 mm 25-3683 mm	145" 1" to 145"	
Cross-Sectional Area	15.497 cm <sup>2</sup>	2.402 in <sup>2</sup>	
Moment of Inertia	I <sub>x</sub> =222.944 cm <sup>4</sup> I <sub>y</sub> =28.883 cm <sup>4</sup>	I <sub>x</sub> =5.355 in <sup>4</sup> I <sub>y</sub> =0.694 in <sup>4</sup>	

## 50X80 4-SLOT SINGLE FLANGE LIGHT DUTY 40P03-123X-010

Material	6005-T5		
Finish/Color: Type II, Architectural Class I Anodized	LIGHT BRONZE	40P03-1232-010	
	BLACK	40P03-1231-010	
	CLEAR	40P03-1234-010	
	METRIC	SAE	
Weight per length	3.042 kg/m	2.044 lb/ft	
Available Length(s):	3683 mm 6120 mm 25-6120 mm	145" 241" 1" to 241"	
Cross-Sectional Area	11.265 cm <sup>2</sup>	1.746 in <sup>2</sup>	
Moment of Inertia	I <sub>x</sub> =32.650 cm <sup>4</sup> I <sub>y</sub> =97.910 cm <sup>4</sup>	I <sub>x</sub> =0.784 in <sup>4</sup> I <sub>y</sub> =2.352 in <sup>4</sup>	

**Quick Tip:** Easily machine the flange for wall-mounted applications.

PROFILES

COMPONENTS

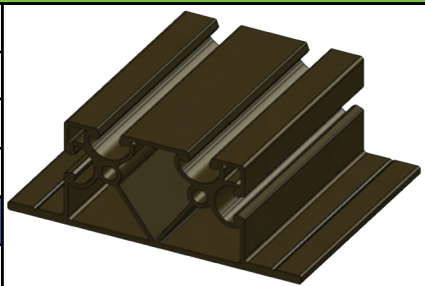
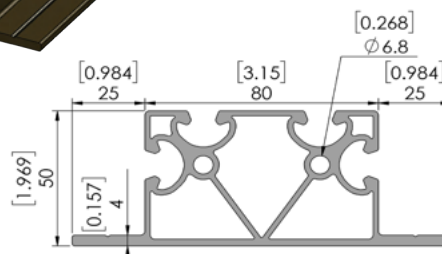
RIVET SYSTEM

DOORS AND FLOORS

ACCESSORIES


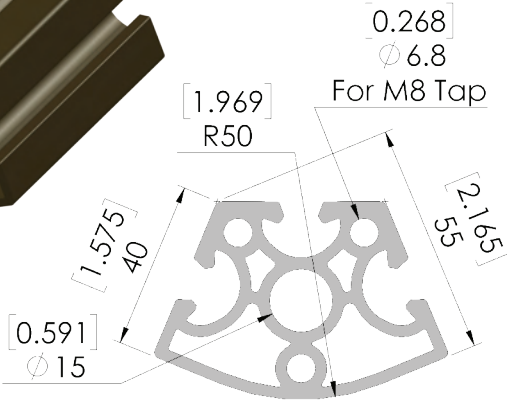
HARDWARE

## 50X80 4-SLOT DOUBLE FLANGE LIGHT DUTY 40P03-123X-000

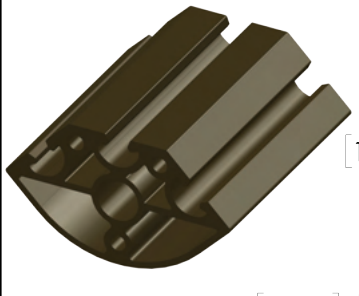
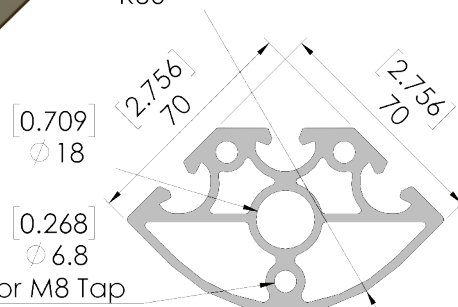
Material	6005-T5		
Finish/Color: Type II, Architectural Class I Anodized	LIGHT BRONZE	40P03-1232-000	
	BLACK	40P03-1231-000	
	CLEAR	40P03-1234-000	
	METRIC	SAE	
Weight per length	3.148 kg/m	2.227 lb/ft	
Available Length(s): 40P03-123X-000 40P03-123X-001 40P03-123X-00C	3683 mm	145"	
	25-6120 mm	1" to 241"	
Cross-Sectional Area	12.227 cm <sup>2</sup>	1.905 in <sup>2</sup>	
Moment of Inertia	I <sub>x</sub> =39.314 cm <sup>4</sup> I <sub>y</sub> =126.072 cm <sup>4</sup>	I <sub>x</sub> =0.838 in <sup>4</sup> I <sub>y</sub> =2.360 in <sup>4</sup>	

**Quick Tip:** Easily machine the flange for wall-mounted applications.

## 55X55 3-SLOT 45° OUTSIDE CORNER STANDARD DUTY 40P04-113X-000

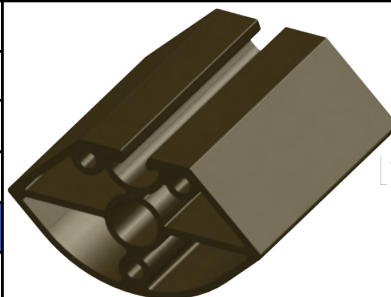
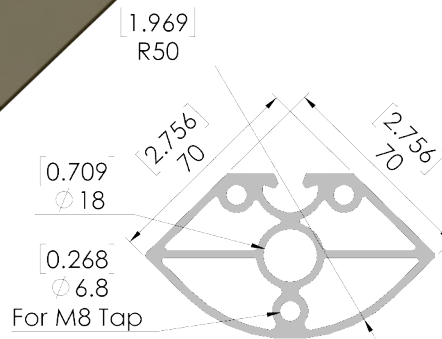
Material	6005-T5		
Finish/Color: Type II, Architectural Class I Anodized	LIGHT BRONZE	40P04-1132-000	
	BLACK	40P04-1131-000	
	CLEAR	40P04-1134-000	
	METRIC	SAE	
Weight per length	2.815 kg/m	1.892 lb/ft	
Available Length(s): 40P04-113X-000 40P04-113X-00C	3683 mm	145"	
	25-3683 mm	1" to 145"	
Cross-Sectional Area	10.64 cm <sup>2</sup>	1.650 in <sup>2</sup>	
Moment of Inertia	I <sub>x</sub> =21.324 cm <sup>4</sup> I <sub>y</sub> =31.751 cm <sup>4</sup>	I <sub>x</sub> =0.512 in <sup>4</sup> I <sub>y</sub> =0.763 in <sup>4</sup>	

## 70X70 3-SLOT 3-WAY CORNER STANDARD DUTY 40P04-773X-000

Material	6005-T5		
Finish/Color: Type II, Architectural Class I Anodized	LIGHT BRONZE	40P04-7732-000	
	BLACK	40P04-7731-000	
	CLEAR	40P04-7734-000	
	METRIC	SAE	
Weight per length	3.952 kg/m	2.656 lb/ft	
Available Length(s): 40P04-773X-000 40P04-773X-00C	3683 mm	145"	
	25-3683 mm	1" to 145"	
Cross-Sectional Area	14.637 cm <sup>2</sup>	2.269 in <sup>2</sup>	
Moment of Inertia	I <sub>x</sub> =38.936 cm <sup>4</sup> I <sub>y</sub> =85.280 cm <sup>4</sup>	I <sub>x</sub> =0.935 in <sup>4</sup> I <sub>y</sub> =2.048 in <sup>4</sup>	

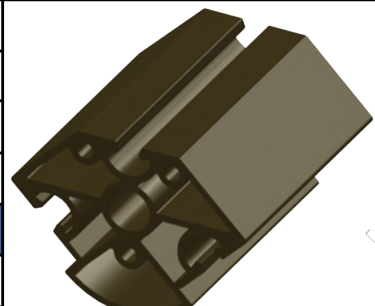
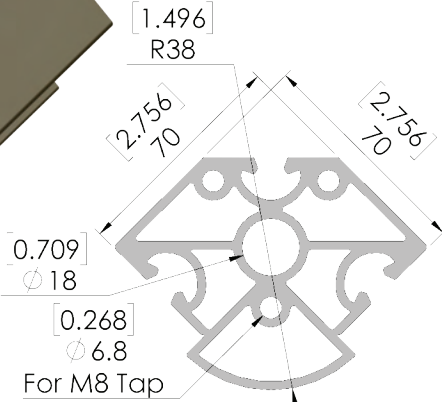
**Quick Tip:** Use with the 40 or 80mm 3-way corner bracket for an efficient, high strength joint. (pgs. 18, 23)

## 70X70 1-SLOT 3-WAY CORNER STANDARD DUTY 40P04-771X-000

Material	6005-T5		
Finish/Color: Type II, Architectural Class I Anodized	LIGHT BRONZE	40P04-7712-000	
	BLACK	40P04-7711-000	
	CLEAR	40P04-7714-000	
	METRIC	SAE	
Weight per length	3.620 kg/m	2.430 lb/ft	
Available Length(s): 40P04-771X-000 40P04-771X-00C	3683 mm	145"	
	25-3683 mm	1" to 145"	
Cross-Sectional Area	13.411 cm <sup>2</sup>	2.078 in <sup>2</sup>	
Moment of Inertia	I <sub>x</sub> =38.278 cm <sup>4</sup> I <sub>y</sub> =77.086 cm <sup>4</sup>	I <sub>x</sub> =0.9196 in <sup>4</sup> I <sub>y</sub> =1.8520 in <sup>4</sup>	

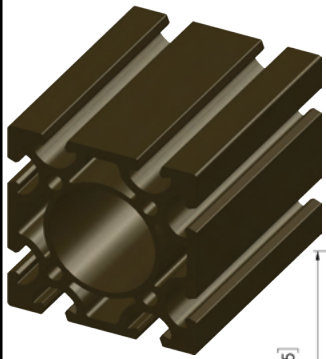
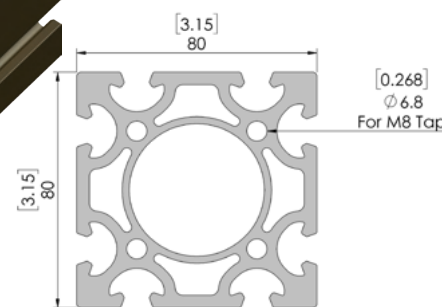
**Quick Tip:** Use with the 40 or 80mm 3-way corner bracket for an efficient, high strength joint. (pgs. 18, 23)

## 70X70 3-SLOT 3-WAY INSET PANEL STANDARD DUTY 40P04-773X-010

Material	6005-T5		
Finish/Color: Type II, Architectural Class I Anodized	LIGHT BRONZE	40P04-7732-010	
	BLACK	40P04-7731-010	
	CLEAR	40P04-7734-010	
	METRIC	SAE	
Weight per length	4.670 kg/m	3.138 lb/ft	
Available Length(s): 40P04-773X-010 40P04-773X-01C	3683 mm	145"	
	25-3683 mm	1" to 145"	
Cross-Sectional Area	17.293 cm <sup>2</sup>	2.680 in <sup>2</sup>	
Moment of Inertia	I <sub>x</sub> =65.817 cm <sup>4</sup> I <sub>y</sub> =97.220 cm <sup>4</sup>	I <sub>x</sub> =1.581 in <sup>4</sup> I <sub>y</sub> =2.335 in <sup>4</sup>	

**Quick Tip:** Use with the 40 or 80mm 3-way corner bracket for an efficient, high strength joint. (pgs. 18, 23)

## 80X80 8-SLOT HEAVY DUTY 40P05-224X-000

Material	6005-T5		
Finish/Color: Type II, Architectural Class I Anodized	LIGHT BRONZE	40P05-2242-000	
	BLACK	40P05-2241-000	
	CLEAR	40P05-2244-000	
	METRIC	SAE	
Weight per length	6.383 kg/m	4.289 lb/ft	
Available Length(s): 40P05-224X-000 40P05-224X-00C	3683 mm	145"	
	25-3683 mm	1" to 145"	
Cross-Sectional Area	23.774 cm <sup>2</sup>	3.685 in <sup>2</sup>	
Moment of Inertia	I <sub>x</sub> =169.643 cm <sup>4</sup> I <sub>y</sub> =169.643 cm <sup>4</sup>	I <sub>x</sub> =4.076 in <sup>4</sup> I <sub>y</sub> =4.076 in <sup>4</sup>	

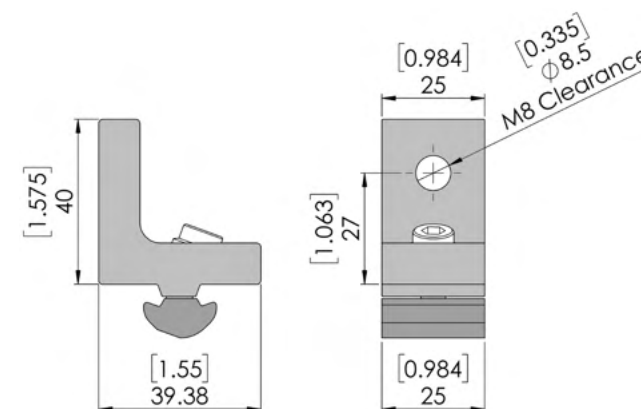


# COMPONENTS

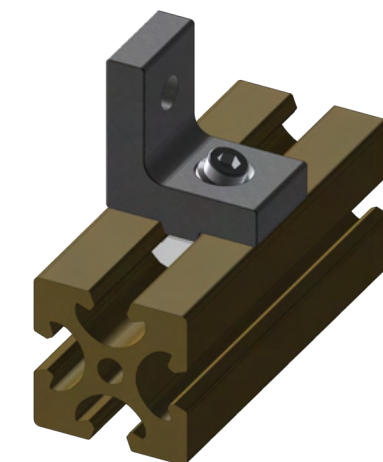
Controlled Dynamics' components are designed, engineered, and manufactured to perform with the greatest strength, performance, and precision in the industry. Our patented ANGLE-LOCK® fastening system creates mechanically locked joints, optimizing the strength of each connection. All components are packaged as preassembled kits, including all the hardware needed for use.

	DESCRIPTION	PART #	PAGE
40MM BRACKETS	25mm Universal Perpendicular Bracket	40CUB-0411-001-01	15
	35mm SD Corner Bracket	40CIC-0421-003-01	15
	40mm SD Corner Bracket	40CIC-0421-001-01	16
	40mm SD Perpendicular Bracket	40CPB-0421-001-01	16
	40mm SD Universal Corner Bracket	40CUB-0411-002-01	17
	40mm HD Corner Bracket	40CIC-0521-001-01	17
	40mm SD Butt Joint Joining Plate	40CJP-0421-004-01	18
	40mm 3-Way Corner Bracket	40C3W-0431-001-01	18
	40mm 3-Way Recessed Corner Bracket - Left	40C3W-0431-002-01	19
	40mm 3-Way Recessed Corner Bracket - Right	40C3W-0431-003-01	19
	40mm 90° 3x3 Hole Joining Plate	40CJP-0421-001-00	20
	ADJUSTABLE ANGLE BRACKETS	40mm Adjustable Angle Bracket, Offset Profile Mount	40CAB-0411-002-01
40mm Adjustable Angle Bracket, Offset Profile Mount to End Mount		40CAB-0411-004-01	21
40mm Adjustable Angle Bracket, Profile Mount/End Mount		40CAB-0411-007-01	21
40mm Adjustable Angle Bracket, End Mount		40CAB-0411-005-01	22
40mm Adjustable Angle Bracket, Profile Mount		40CAB-0411-009-01	22
40mm Adjustable Angle Bracket, Profile Mount/Offset Profile Mount		40CAB-0411-008-01	23
PIVOT BRACKETS	40mm Pivot Bracket, Offset Profile Mount	40MPI-0411-001-01	23
	40mm Pivot Bracket, Offset Profile to End Mount	40MPI-0411-001-02	24
	40mm Pivot Bracket, End Mount	40MPI-0411-014-01	24
	40mm Pivot Bracket, Profile Mount to End Mount	40MPI-0411-016-01	25
	40mm Pivot Bracket, Profile Mount to Offset Profile Mount	40MPI-0411-016-03	25
80MM BRACKETS	40mm Pivot Bracket, Profile Mount to Profile	40MPI-0411-016-04	26
	80mm MD Corner Bracket	40CIC-0741-001-01	26
	80mm HD Perpendicular Bracket	40CPB-0541-001-01	27
	80mm HD Parallel Corner Bracket	40CPB-0541-002-01	27
	80mm MD Universal Corner Bracket	40CUB-0521-001-01	28
	80mm 3-Way Corner Bracket	40C3W-0451-001-01	28
	80mm 3-Way Recessed Corner Bracket - Left	40C3W-0451-002-01	29
	80mm 3-Way Recessed Corner Bracket - Right	40C3W-0451-003-01	29
THREADED INSERTS	80mm SD Butt Joint Joining Plate	40CJP-0441-001-00	30
	40-6 Standard Threaded Insert	40CTI-0410-001-00	30
	40-6 End Mount Threaded Insert	40CTI-0410-004-01	31
	40-6 Standard Threaded Insert w/20° Angle Nut	40CTI-0410-001-03	31
	40-6 Standard Threaded Insert w/Drop-in Nut	40CTI-0410-001-04	32
	40-6 Double Standard Threaded Insert	40CTI-0410-001-02	32

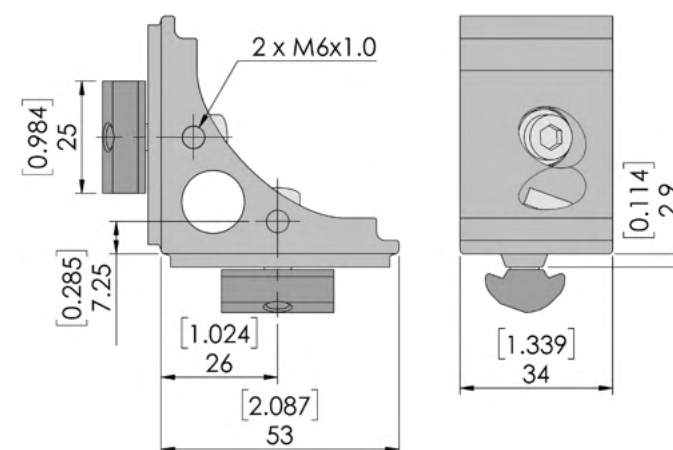
25MM UNIVERSAL PERPENDICULAR BRACKET		40CUB-0411-001-01
Material	6061-T6	
Finish	Type II, Class 2 Anodize, Black	
Parts Included in Kit	(1) 25mm Universal Perpendicular Bracket [40CUB-0411-001-00] (1) M6 25mm 1-Hole Angle Nut [40HAN-3407-001-00] (1) M6x1.0x20mm 12.9 Flanged SHCS [00HSW-3507-202-00]	
	<b>METRIC</b>	<b>SAE</b>
Weight	0.08 kg [76 g]	0.17 lbs [2.7 oz]



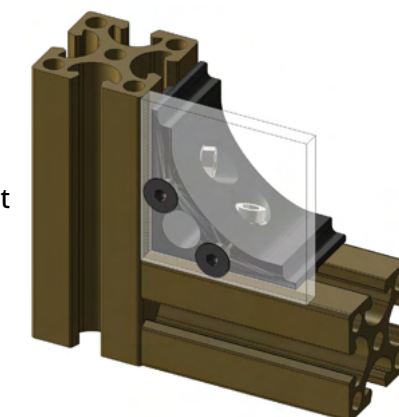
**Quick Tip:** Use to securely mount benchtops, anchor a sub-assembly to a plate, mount other off shelf components, etc.



35MM STANDARD DUTY CORNER BRACKET		40CIC-0421-003-01
Material	6061-T6	
Finish	Type II, Class 2 Anodize, Black	
Parts Included in Kit	(1) 35mm Standard Duty Corner Bracket [40CIC-0421-003-00] (2) M6 25mm 1-Hole Angle Nut [40HAN-3407-001-00] (2) M6x1.0x20mm 12.9 Flanged SHCS [00HSW-3507-202-00]	
	<b>METRIC</b>	<b>SAE</b>
Weight	0.14 kg [139 g]	0.31 lbs [4.9 oz]



**Quick Tip:** Utilize this bracket not only to connect two profiles, but also to mount paneling.



PROFILES

COMPONENTS

RIVET SYSTEM

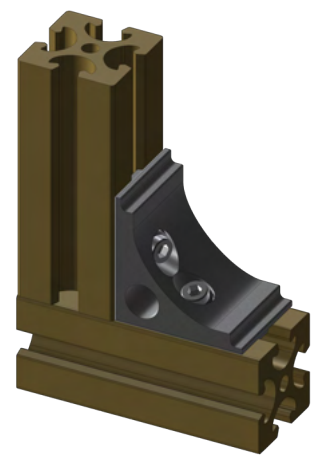
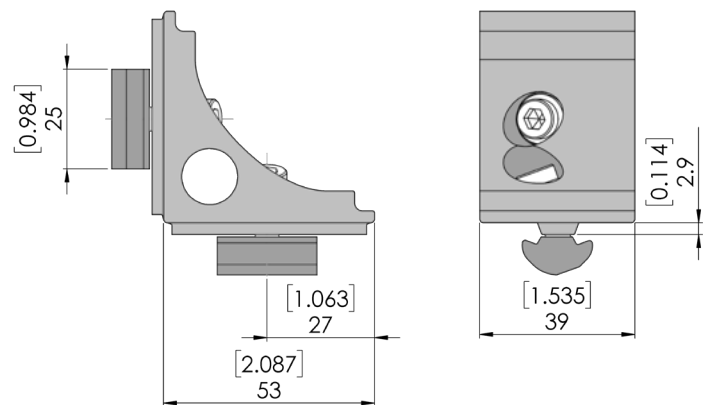
DOORS AND FLOORS

ACCESSORIES

HARDWARE

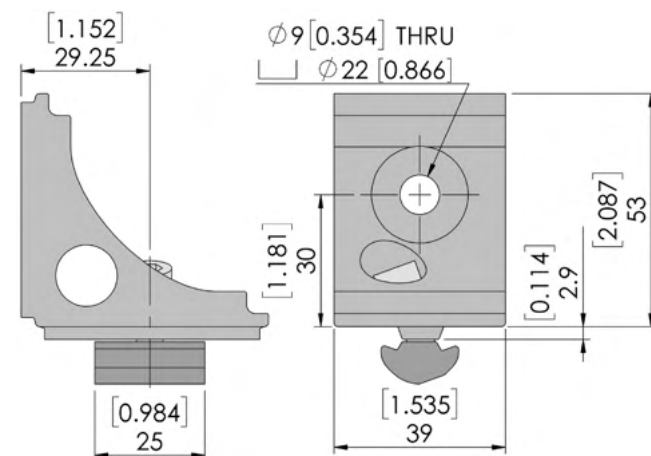
## 40MM STANDARD DUTY CORNER BRACKET 40CIC-0421-001-01

Material	6061-T6	
Finish	Type II, Class 2 Anodize, Black	
Parts Included in Kit	(1) 40mm Standard Duty Corner Bracket [40CIC-0421-001-00] (2) M6 25mm 1-Hole Angle Nut [40HAN-3407-001-00] (2) M6x1.0x20mm 12.9 Flanged SHCS [00HSW-3507-202-00]	
	<b>METRIC</b>	<b>SAE</b>
Weight	0.15 kg [153 g]	0.34 lbs [5.4 oz]

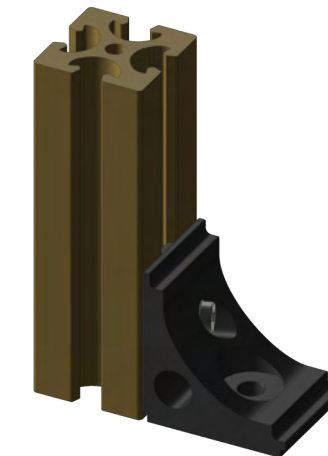


## 40MM STANDARD DUTY UNIVERSAL CORNER BRACKET 40CUB-0411-002-01

Material	6061-T6	
Finish	Type II, Class 2 Anodize, Black	
Parts Included in Kit	(1) 40mm Standard Duty Universal Corner Bracket [40CUB-0411-002-00] (1) M6 25MM 1-Hole Angle Nut [40HAN-3407-001-00] (1) M6x1.0x20mm 12.9 Flanged SHCS [00HSW-3507-202-00]	
	<b>METRIC</b>	<b>SAE</b>
Weight	0.13 kg [133 g]	0.29 lbs [4.7 oz]

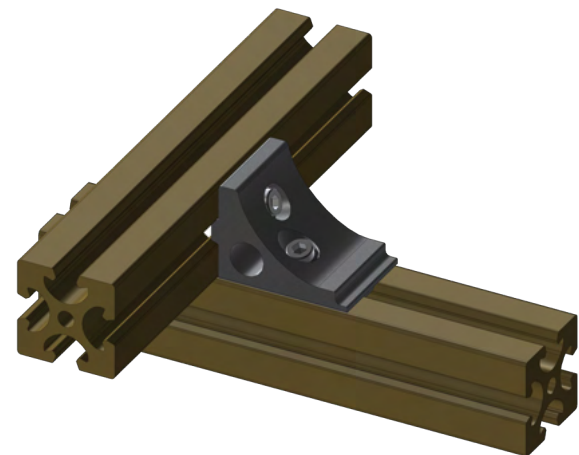
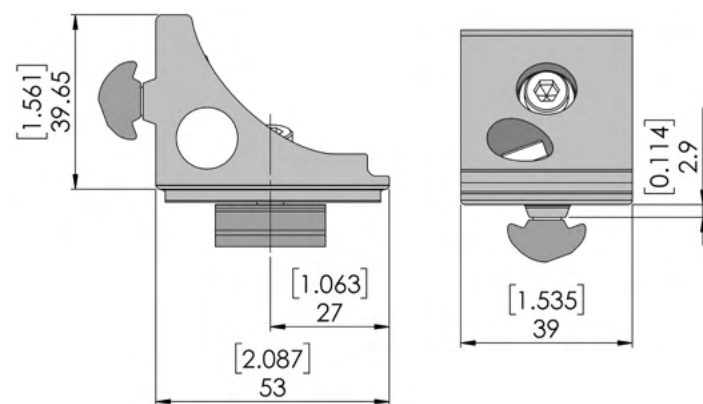
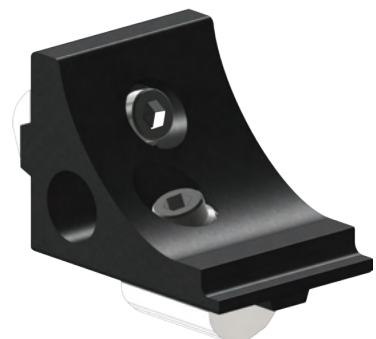


**Quick Tip:**  
Use to securely mount benchtops, anchor a sub-assembly to a plate, mount other off-shelf components, etc.



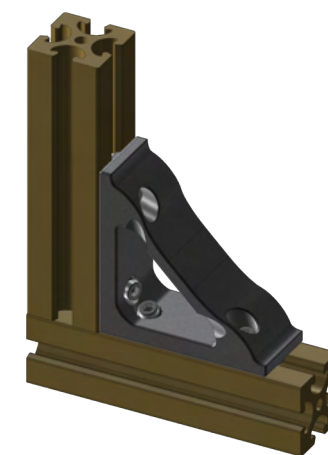
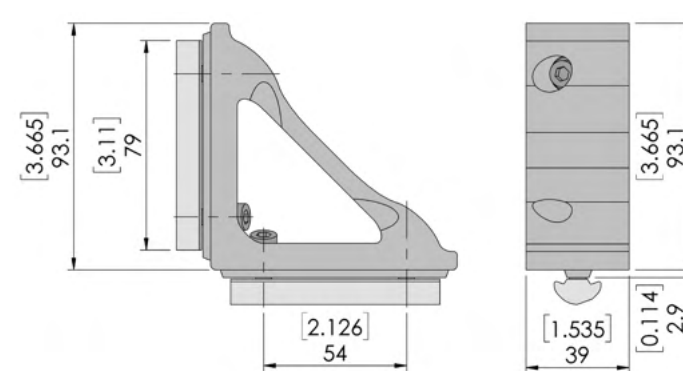
## 40MM STANDARD DUTY PERPENDICULAR BRACKET 40CPB-0421-001-01

Material	6061-T6	
Finish	Type II, Class 2 Anodize, Black	
Parts Included in Kit	(1) 40mm Standard Duty Perpendicular Bracket [40CPB-0421-001-00] (2) M6 25mm 1-Hole Angle Nut [40HAN-3407-001-00] (2) M6x1.0x20mm 12.9 Flanged SHCS [00HSW-3507-202-00]	
	<b>METRIC</b>	<b>SAE</b>
Weight	0.14 kg [143 g]	0.32 lbs [5.1 oz]



## 40MM HEAVY DUTY CORNER BRACKET 40CIC-0521-001-01

Material	6061-T6	
Finish	Type II, Class 2 Anodize, Black	
Parts Included in Kit	(1) 40mm Heavy Duty Corner Bracket [40CIC-0521-001-00] (2) M6 79mm 2-Hole Angle Nut [40HAN-3407-004-00] (4) M6x1.0x20mm 12.9 Flanged SHCS [00HSW-3507-202-00]	
	<b>METRIC</b>	<b>SAE</b>
Weight	0.46 kg [463 g]	1.02 lbs [16.3 oz]



PROFILES

COMPONENTS

RIVET SYSTEM

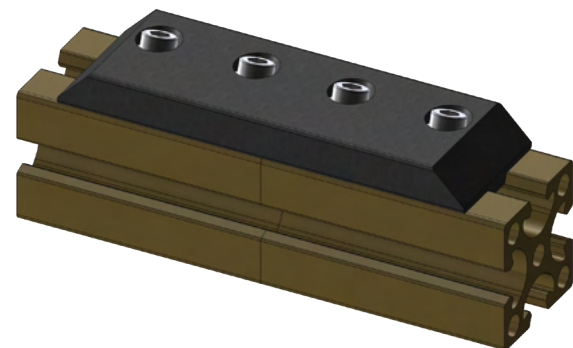
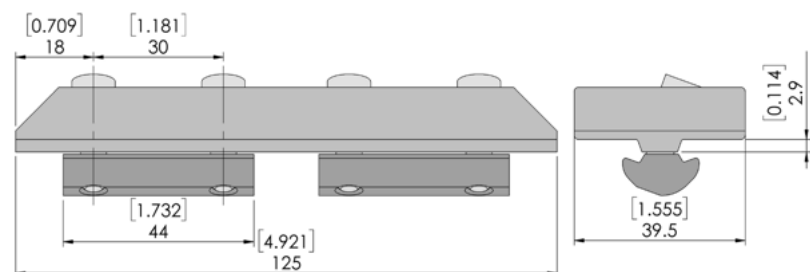
DOORS AND FLOORS

ACCESSORIES

HARDWARE

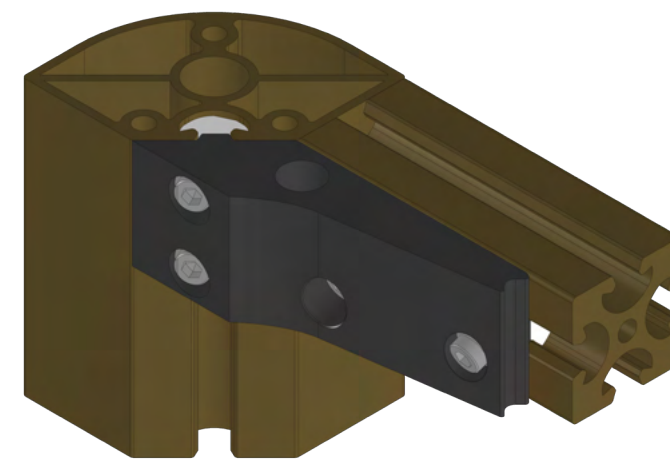
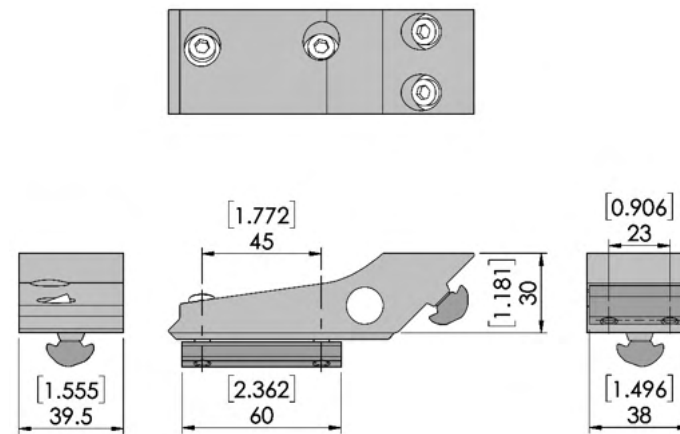
## 40MM STANDARD DUTY BUTT JOINT JOINING PLATE 40CJP-0421-004-01

Material	6061-T6	
Finish	Type II, Class 2 Anodize, Black	
Parts Included in Kit	(1) 40mm Standard Duty Butt Joint Joining Plate [40CJP-0421-004-00] (2) M6 44mm 2-Hole Angle Nut [40HAN-3407-003-00] (4) M6x1.0x20mm 12.9 Flanged SHCS [00HSW-3507-202-00]	
	METRIC	SAE
Weight	0.26 kg [257 g]	0.57 lbs [9.1 oz]



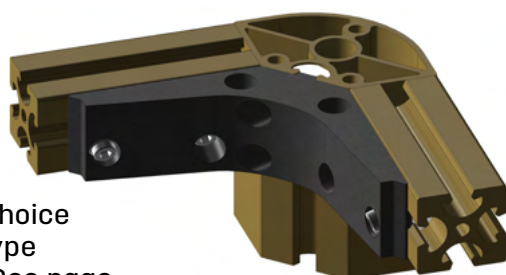
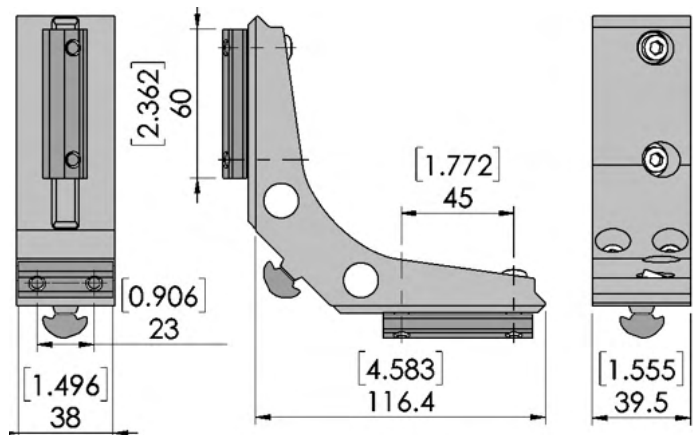
## 40MM 3-WAY RECESSED CORNER BRACKET - LEFT 40C3W-0431-002-01

Material	6061-T6	
Finish	Type II, Class 2 Anodize, Black	
Parts Included in Kit	(1) 40mm 3-Way Recessed Corner Bracket-Left [40C3W-0431-002-00] (1) M6 60mm 2-Hole Angle Nut [40HAN-3407-005-00] (1) M6 38mm 2-Hole Angle Nut [40HAN-3407-007-00] (4) M6x1.0x20mm 12.9 Flanged SHCS [00HSW-3507-202-00]	
	METRIC	SAE
Weight	0.30 kg [302 g]	0.67 lbs [10.6 oz]



## 40MM 3-WAY CORNER BRACKET 40C3W-0431-001-01

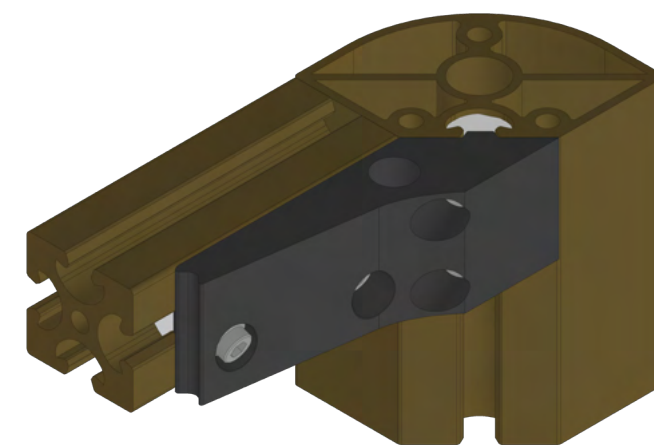
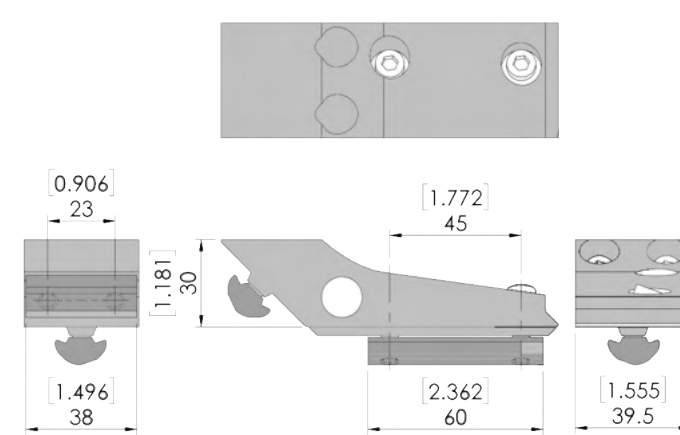
Material	6061-T6	
Finish	Type II, Class 2 Anodize, Black	
Parts Included in Kit	(1) 40mm 3-Way Bracket [40C3W-0431-001-00] (2) M6 60mm 2-Hole Angle Nut [40HAN-3407-005-00] (1) M6 38mm 2-Hole Angle Nut [40HAN-3407-007-00] (6) M6x1.0x20mm 12.9 Flanged SHCS [00HSW-3507-202-00]	
	METRIC	SAE
Weight	0.51 kg [505 g]	1.11 lbs [17.8 oz]



**Quick Tip:**  
An excellent choice for table leg type applications. See page 71 for more info.

## 40MM 3-WAY RECESSED CORNER BRACKET - RIGHT 40C3W-0431-003-01

Material	6061-T6	
Finish	Type II, Class 2 Anodize, Black	
Parts Included in Kit	(1) 40mm 3-Way Recessed Corner Bracket-Right [40C3W-0431-003-00] (1) M6 60mm 2-Hole Angle Nut [40HAN-3407-005-00] (1) M6 38mm 2-Hole Angle Nut [40HAN-3407-007-00] (4) M6x1.0x20mm 12.9 Flanged SHCS [00HSW-3507-202-00]	
	METRIC	SAE
Weight	0.29 kg [292 g]	0.64 lbs [10.3 oz]



PROFILES

COMPONENTS

RIVET SYSTEM

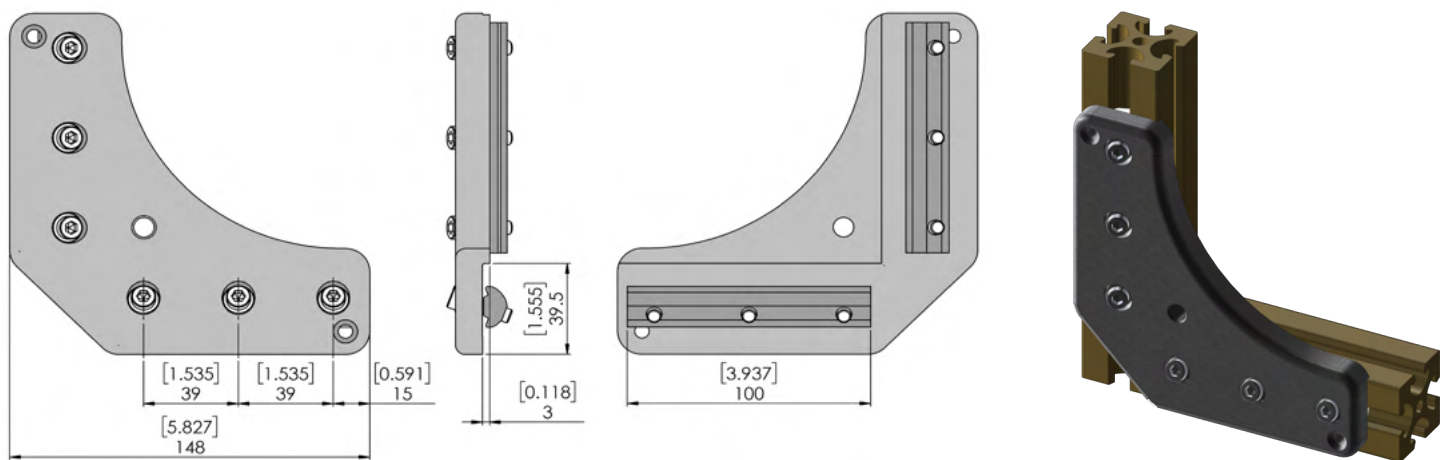
DOORS AND FLOORS

ACCESSORIES

HARDWARE

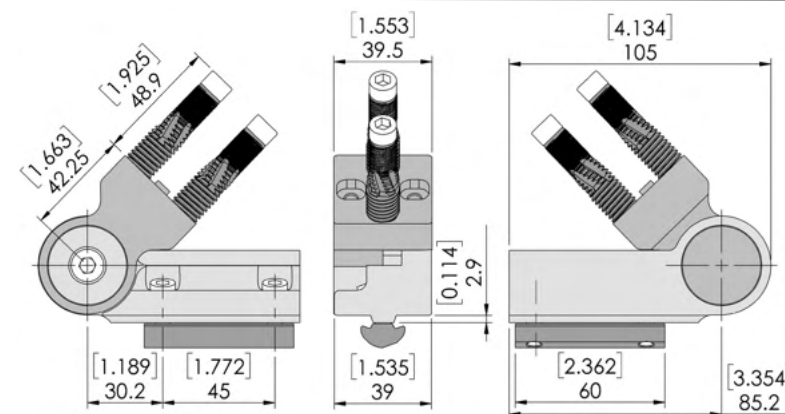
## 40MM 90° 3X3 HOLE JOINING PLATE 40CJP-0421-001-01

Material	6061-T6	
Finish	Type II, Class 2 Anodize, Black	
Parts Included in Kit	(1) 40mm 90° 3x3 Hole Joining Plate [40CJP-0421-001-00] (2) M6 100mm 3-Hole Angle Nut [40HAN-3407-002-00] (6) M6x1.0x20mm 12.9 Flanged SHCS [00HSW-3507-202-00]	
	METRIC	SAE
Weight	0.60 kg [596 g]	1.30 lbs [21.0 oz]

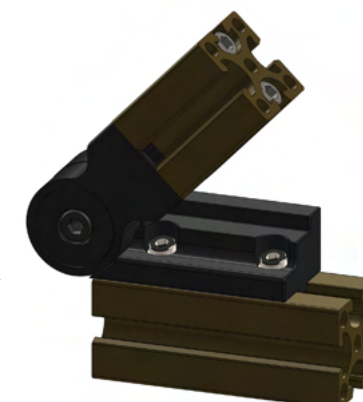


## 40MM ADJUSTABLE ANGLE BRACKET OFFSET PROFILE TO END MOUNT 40CAB-0411-004-01

Material	6061-T6	
Finish	Type II, Class 2 Anodize, Black	
Parts Included in Kit	(1) 40mm Adjustable Angle Bracket, Offset Profile Mount [40CAB-0411-002-00] (1) 40mm Adjustable Angle Bracket, End Mount [40CAB-0411-005-00] (1) Ø27x30mm Black Standard Rivet Kit (1) M6 60mm 2-Hole Angle Nut [40HAN-3407-005-00] (2) M6x1.0x20mm 12.9 Flanged SHCS [00HSW-3507-202-00] (2) 40-6 End Mount Threaded Insert [40CTI-0410-004-00] (2) M6x1.0x55mm 12.9 CDI SHCS [00HSW-3507-800-00]	
	METRIC	SAE
Weight	0.46 kg [462 g]	1.02 lbs [16.3 oz]

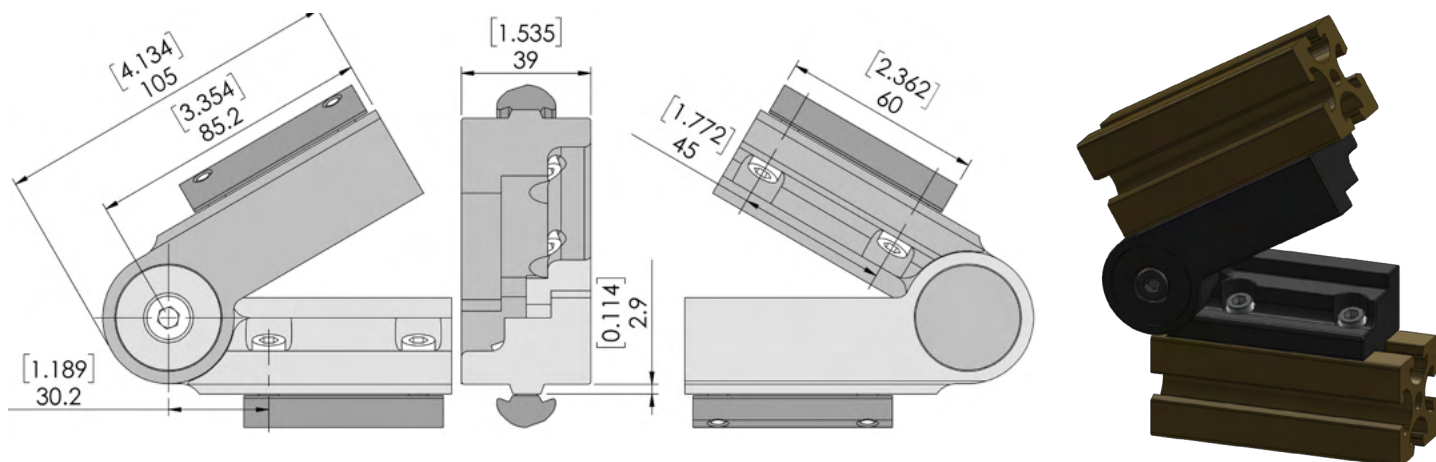


**Quick Tip:**  
Tighten the M8 bolt for a secure hold at the angle of your choosing. Loosen the bolt at anytime for a quick and easy adjustment.



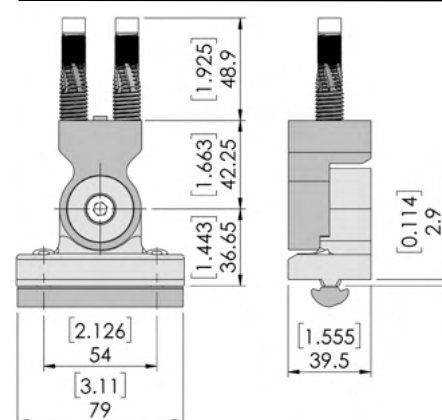
## 40MM ADJUSTABLE ANGLE BRACKET OFFSET PROFILE MOUNT 40CAB-0411-002-01

Material	6061-T6	
Finish	Type II, Class 2 Anodize, Black	
Parts Included in Kit	(2) 40mm Adjustable Angle Bracket, Offset Profile Mount [40CAB-0411-002-00] (1) Ø27x30mm Black Standard Rivet Kit (2) M6 60mm 2-Hole Angle Nut [40HAN-3407-005-00] (4) M6x1.0x20mm 12.9 Flanged SHCS [00HSW-3507-202-00]	
	METRIC	SAE
Weight	0.54 kg [544 g]	1.20 lbs [19.2 oz]

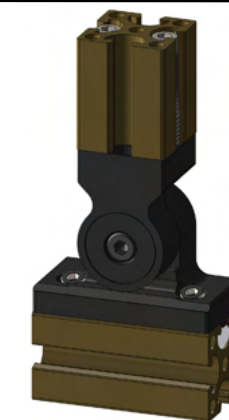


## 40MM ADJUSTABLE ANGLE BRACKET PROFILE TO END MOUNT 40CAB-0411-007-01

Material	6061-T6	
Finish	Type II, Class 2 Anodize, Black	
Parts Included in Kit	(1) 40mm Adjustable Angle Bracket, Profile Mount [40CAB-0411-007-00] (1) 40mm Adjustable Angle Bracket, End Mount [40CAB-0411-005-00] (1) Ø27x30mm Black Standard Rivet Kit (1) M6 79mm 2-Hole Angle Nut [40HAN-3407-004-00] (2) M6x1.0x20mm 12.9 Flanged SHCS [00HSW-3507-202-00] (2) 40-6 End Mount Threaded Insert [40CTI-0410-004-00] (2) M6x1.0x55mm 12.9 CDI SHCS [00HSW-3507-800-00]	
	METRIC	SAE
Weight	0.46 kg [462 g]	1.02 lbs [16.4 oz]



**Quick Tip:**  
Tighten the M8 bolt for a secure hold at the angle of your choice. Loosen the bolt at anytime for a quick and easy adjustment.



PROFILES

COMPONENTS

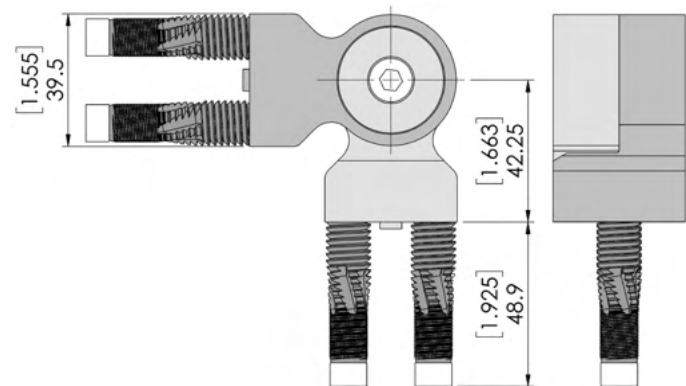
RIVET SYSTEM

DOORS AND FLOORS

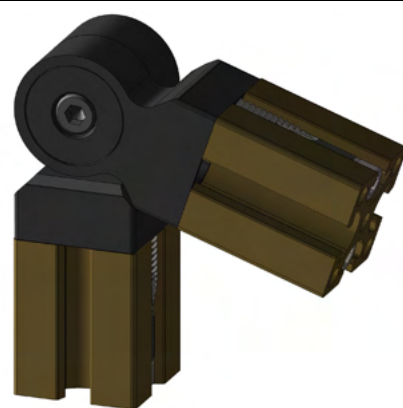
ACCESSORIES

HARDWARE

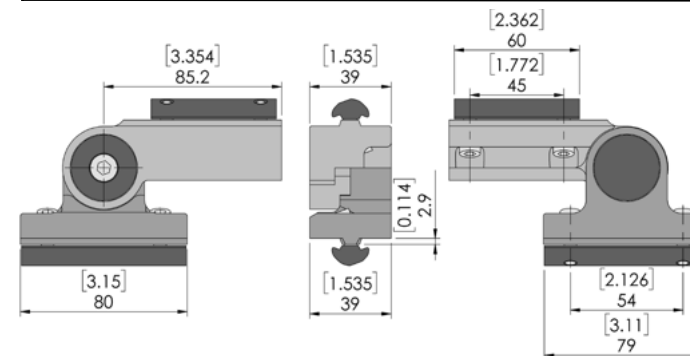
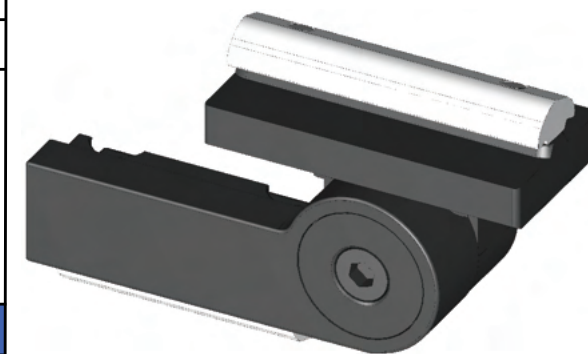
40MM ADJUSTABLE ANGLE BRACKET END MOUNT		40CAB-0411-005-01
Material	6061-T6	
Finish	Type II, Class 2 Anodize, Black	
Parts Included in Kit	(1) 40mm Adjustable Angle Bracket, End Mount [40CAB-0411-005-00] (1) 40mm Adjustable Angle Bracket, End Mount [40CAB-0411-005-00] (1) Ø27x30mm Black Standard Rivet Kit (1) M6 60mm 2-Hole Angle Nut [40HAN-3407-005-00] (4) 40-6 End Mount Threaded Insert [40CTI-0410-004-00] (4) M6x1.0x55mm 12.9 CDI SHCS [00HSW-3507-800-00]	
	METRIC	SAE
Weight	0.38 kg [378 g]	0.84 lbs [13.4 oz]



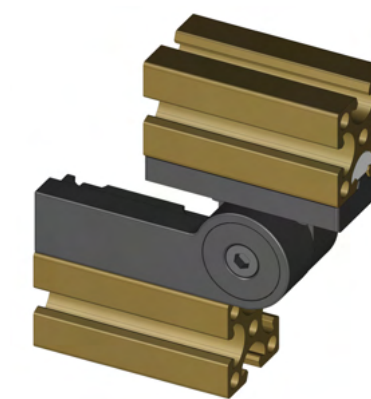
**Quick Tip:**  
Tighten the M8 bolt for a secure hold at the angle of your choosing. Loosen the bolt at anytime for a quick and easy adjustment.



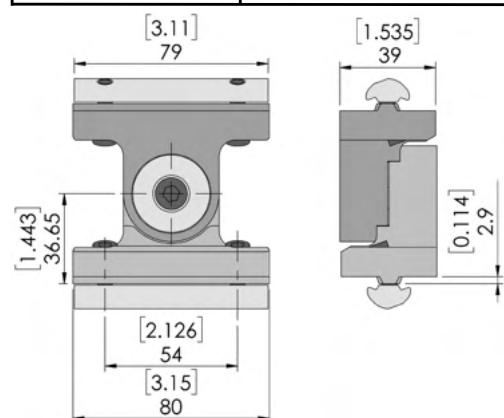
40MM ADJ. ANGLE BRACKET PROFILE/OFFSET PROFILE MOUNT		40CAB-0411-008-01
Material	6061-T6	
Finish	Type II, Class 2 Anodize, Black	
Parts Included in Kit	(1) 40mm Adjustable Angle Bracket, Profile Mount [40CAB-0411-007-00] (1) 40mm Adjustable Angle Bracket, Offset Profile Mount [40CAB-0411-002-00] (1) Ø27x30mm Black Standard Rivet Kit (2) M6 79mm 2-Hole Angle Nut [40HAN-3407-004-00] (4) M6x1.0x20mm 12.9 Flanged SHCS [00HSW-3507-202-00]	
	METRIC	SAE
Weight	0.54 kg [543 g]	1.19 lbs [19.2 oz]



**Quick Tip:**  
Tighten the M8 bolt for a secure hold at the angle of your choosing. Loosen the bolt at anytime for a quick and easy adjustment.



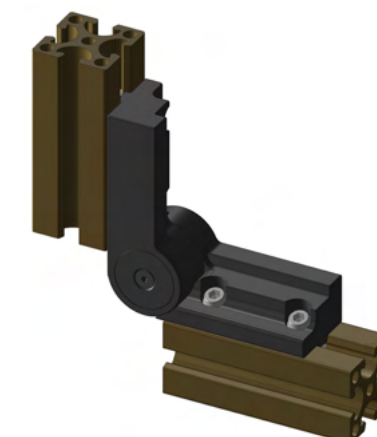
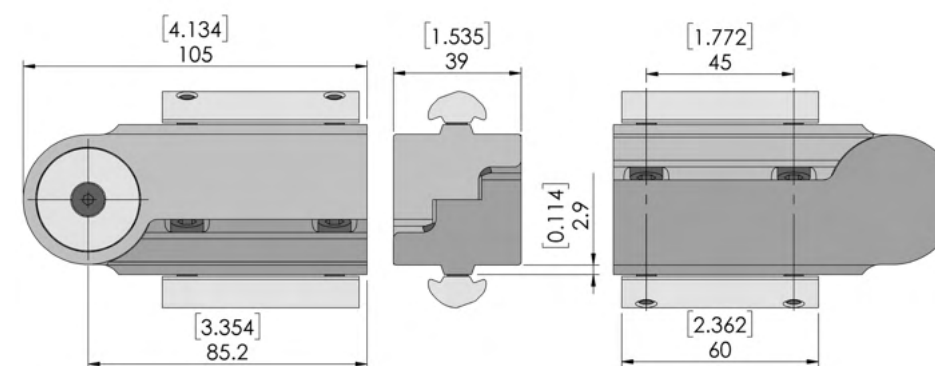
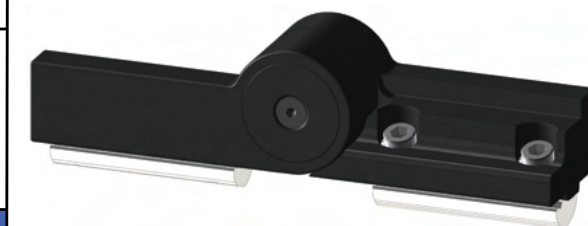
40MM ADJUSTABLE ANGLE BRACKET PROFILE MOUNT		40CAB-0411-009-01
Material	6061-T6	
Finish	Type II, Class 2 Anodize, Black	
Parts Included in Kit	(1) 40mm Adjustable Angle Bracket, Profile Mount [40CAB-0411-007-00] (1) 40mm Adjustable Angle Bracket, Profile Mount [40CAB-0411-007-00] (1) Ø27x30mm Black Standard Rivet Kit (2) M6 79mm 2-Hole Angle Nut [40HAN-3407-004-00] (4) M6x1.0x20mm 12.9 Flanged SHCS [00HSW-3507-202-00]	
	METRIC	SAE
Weight	0.54 kg [543 g]	1.19 lbs [19.2 oz]



**Quick Tip:**  
Tighten the M8 bolt for a secure hold at the angle of your choosing. Loosen the bolt at anytime for a quick and easy adjustment.



40MM PIVOT BRACKET OFFSET PROFILE MOUNT		40MPI-0411-001-01
Material	6061-T6	
Finish	Type II, Class 2 Anodize, Black	
Parts Included in Kit	(1) 40mm Pivot Bracket, Offset Profile Mount-Bearing Side [40MPI-0411-001-00] (1) 40mm Pivot Bracket, Offset Profile Mount-Axle Side [40MPI-0411-002-00] (1) Bearing Subassembly (4) M6x1.0x20mm 12.9 Flanged SHCS [00HSW-3507-202-00] (2) M6x1.0 79mm 2-Hole Angle Nut [40HAN-3407-004-00]	
	METRIC	SAE
Weight	0.60 kg [603 g]	1.33 lbs [21.3 oz]



PROFILES

COMPONENTS

RIVET SYSTEM

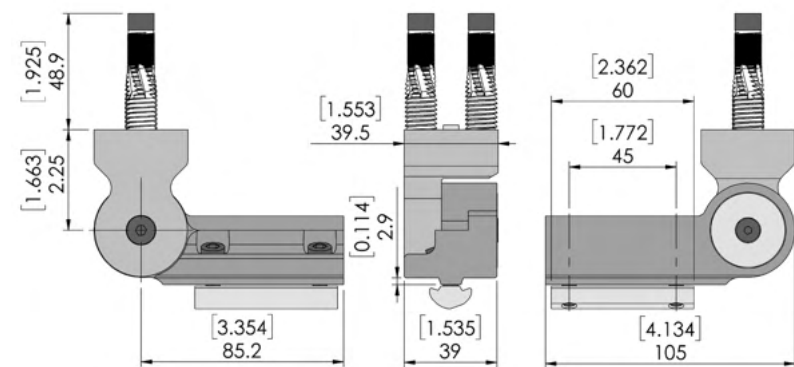
DOORS AND FLOORS

ACCESSORIES

HARDWARE

## 40MM PIVOT BRACKET OFFSET PROFILE TO END MOUNT 40MPI-0411-001-02

Material	6061-T6	
Finish	Type II, Class 2 Anodize, Black	
Parts Included in Kit	(1) 40mm Pivot Bracket, Offset Profile Mount-Bearing Side [40MPI-0411-001-00] (1) 40mm Pivot Bracket, End Mount-Axle Side [40MPI-0411-015-00] (1) Bearing Subassembly (2) 40-6 End Mount Threaded Insert [40CTI-0410-004-00] (2) M6x1.0x55mm 12.9 CDI SHCS [00HSW-3507-800-00] (2) M6x1.0x20mm 12.9 Flanged SHCS [00HSW-3507-202-00] (1) M6x1.0 79mm 2-Hole Angle Nut [40HAN-3407-004-00]	
	METRIC	SAE
Weight	0.52 kg [520 g]	1.15 lbs [18.4 oz]

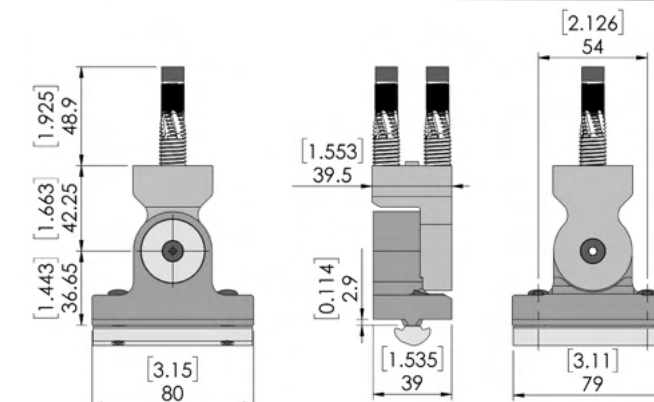


**Quick Tip:**  
All pivot brackets are equipped with heavy duty ball bearings to ensure long-lasting, precise operation.



## 40MM PIVOT BRACKET PROFILE MOUNT TO END MOUNT 40MPI-0411-016-01

Material	6061-T6	
Finish	Type II, Class 2 Anodize, Black	
Parts Included in Kit	(1) 40mm Pivot Bracket, Profile Mount-Bearing Side [40MPI-0411-016-02] (1) 40mm Pivot Bracket, End Mount-Axle Side [40MPI-0411-015-00] (1) Bearing Subassembly (2) 40-6 End Mount Threaded Insert [40CTI-0410-004-00] (2) M6x1.0x55mm 12.9 CDI SHCS [00HSW-3507-800-00] (2) M6x1.0x20mm 12.9 Flanged SHCS [00HSW-3507-202-00] (1) M6x1.0 79mm 2-Hole Angle Nut [40HAN-3407-004-00]	
	METRIC	SAE
Weight	0.52 kg [520 g]	1.15 lbs [18.4 oz]

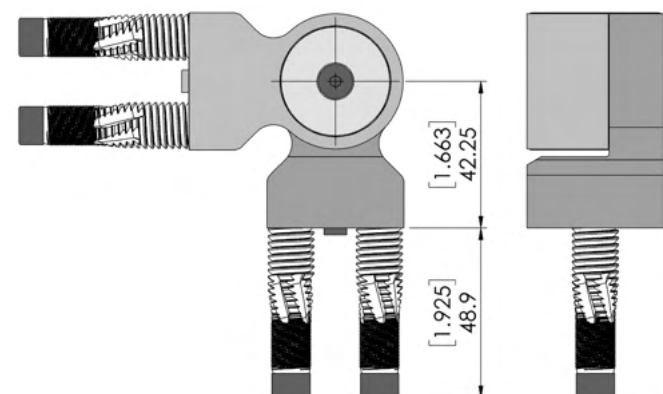


**Quick Tip:**  
All pivot brackets are equipped with heavy duty ball bearings to ensure long-lasting, precise operation.

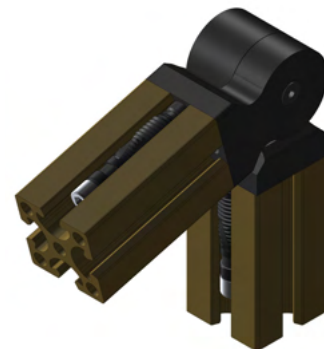


## 40MM PIVOT BRACKET END MOUNT 40MPI-0411-014-01

Material	6061-T6	
Finish	Type II, Class 2 Anodize, Black	
Parts Included in Kit	(1) 40mm Pivot Bracket, End Mount-Bearing Side [40MPI-0411-014-00] (1) 40mm Pivot Bracket, End Mount-Axle Side [40MPI-0411-015-00] (1) Bearing Subassembly (4) 40-6 End Mount Threaded Insert [40CTI-0410-004-00] (4) M6x1.0x55mm 12.9 CDI SHCS [00HSW-3507-800-00]	
	METRIC	SAE
Weight	0.44 kg [438 g]	0.97 lbs [15.4 oz]

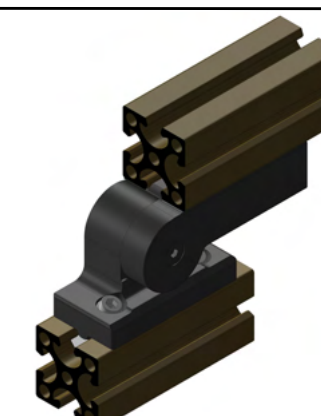
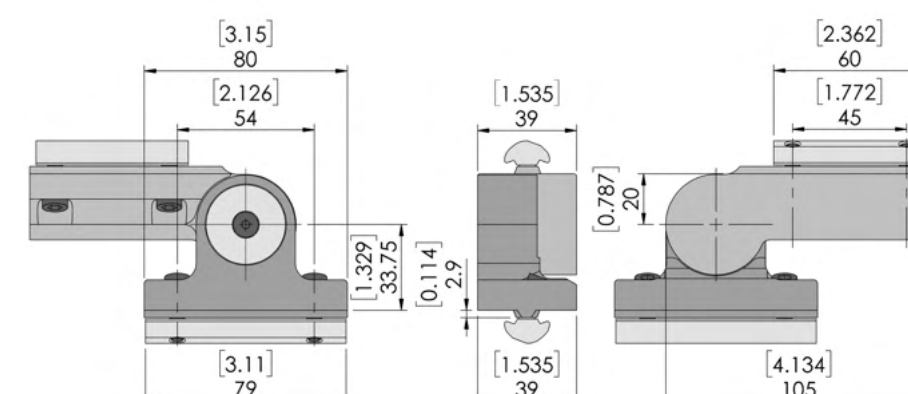


**Quick Tip:**  
All pivot brackets are equipped with heavy duty ball bearings to ensure long-lasting, precise operation.



## 40MM PIVOT BRACKET PROFILE TO OFFSET PROFILE MOUNT 40MPI-0411-016-03

Material	6061-T6	
Finish	Type II, Class 2 Anodize, Black	
Parts Included in Kit	(1) 40mm Pivot Bracket, Profile Mount-Bearing Side [40MPI-0411-016-02] (1) 40mm Pivot Bracket, Offset Profile Mount-Axle Side [40MPI-0411-002-00] (1) Bearing Subassembly (4) M6x1.0x20mm 12.9 Flanged SHCS [00HSW-3507-202-00] (2) M6x1.0 79mm 2-Hole Angle Nut [40HAN-3407-004-00]	
	METRIC	SAE
Weight	0.60 kg [603 g]	1.33 lbs [21.3 oz]



PROFILES

COMPONENTS

PIVOT SYSTEM

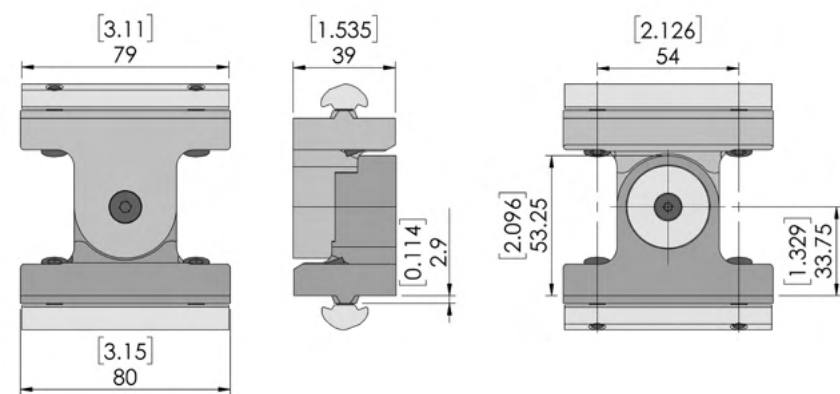
DOORS AND FLOORS

ACCESSORIES

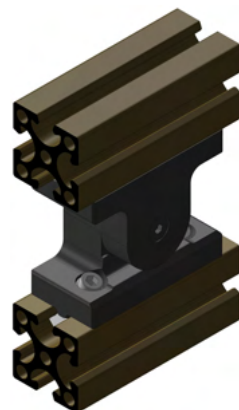
HARDWARE

## 40MM PIVOT BRACKET PROFILE TO PROFILE MOUNT 40MPI-0411-016-04

Material	6061-T6	
Finish	Type II, Class 2 Anodize, Black	
Parts Included in Kit	(1) 40mm Pivot Bracket, Profile Mount-Bearing Side [40MPI-0411-016-02] (1) 40mm Pivot Bracket, Profile Mount-Axle Side [40MPI-0411-013-00] (1) Bearing Subassembly (4) M6x1.0x20mm 12.9 Flanged SHCS [00HSW-3507-202-00] (2) M6x1.0 79mm 2-Hole Angle Nut [40HAN-3407-004-00]	
	<b>METRIC</b>	<b>SAE</b>
Weight	0.60 kg [604 g]	1.33 lbs [21.3 oz]

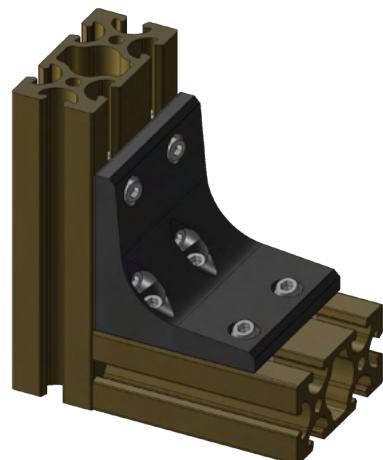
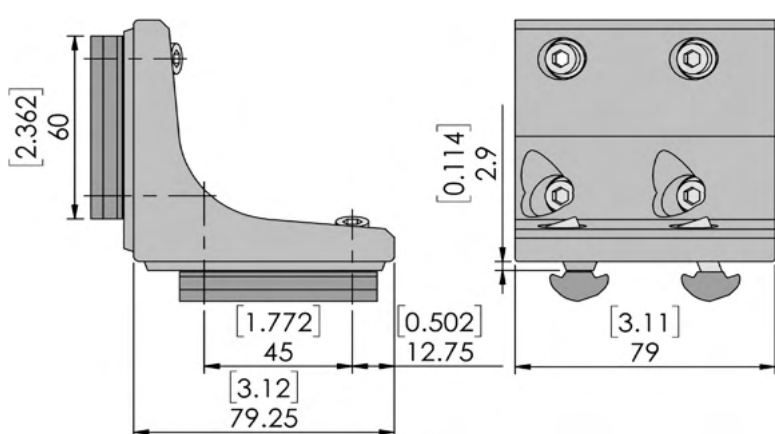


**Quick Tip:**  
All pivot brackets are equipped with heavy duty ball bearings to ensure long-lasting, precise operation.



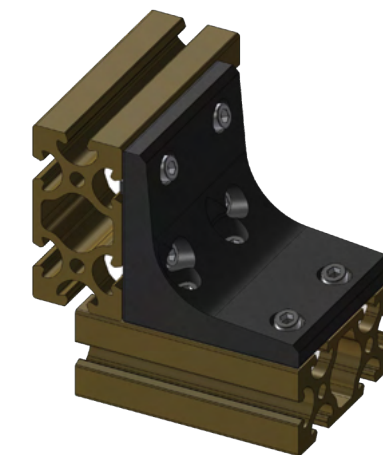
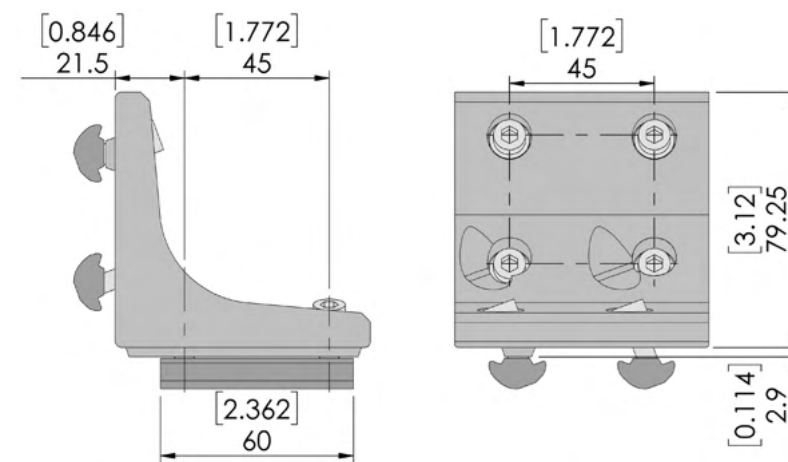
## 80MM MEDIUM DUTY CORNER BRACKET 40CIC-0741-001-01

Material	6061-T6	
Finish	Type II, Class 2 Anodize, Black	
Parts Included in Kit	(1) 80mm Medium Duty Corner Bracket [40CIC-0741-001-00] (4) M6 60mm 2-Hole Angle Nut [40HAN-3407-005-00] (8) M6x1.0x20mm 12.9 Flanged SHCS [00HSW-3507-202-00]	
	<b>METRIC</b>	<b>SAE</b>
Weight	0.69 kg [690 g]	1.52 lbs [24.3 oz]



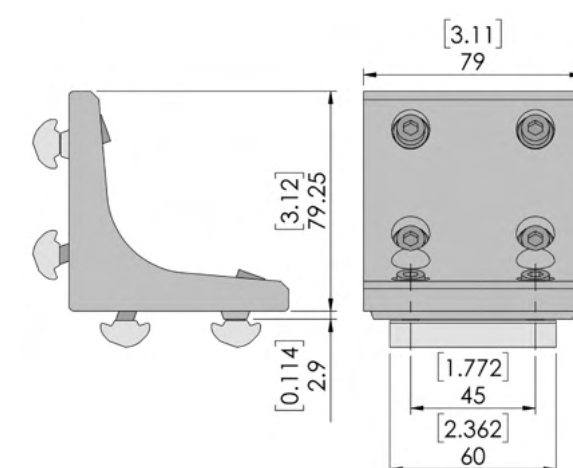
## 80MM HEAVY DUTY PERPENDICULAR BRACKET 40CPB-0541-001-01

Material	6061-T6	
Finish	Type II, Class 2 Anodize, Black	
Parts Included in Kit	(1) 80mm Heavy Duty Perpendicular Bracket [40CPB-0541-001-00] (4) M6 60mm 2-Hole Angle Nut [40HAN-3407-005-00] (8) M6x1.0x20mm 12.9 Flanged SHCS [00HSW-3507-202-00]	
	<b>METRIC</b>	<b>SAE</b>
Weight	0.69 kg [689 g]	1.52 lbs [24.3 oz]



## 80MM HEAVY DUTY PARALLEL CORNER BRACKET 40CPB-0541-002-01

Material	6061-T6	
Finish	Type II, Class 2 Anodize, Black	
Parts Included in Kit	(1) 80mm HD Parallel Corner Bracket [40CPB-0541-002-00] (4) M6x1.0 60mm 2-Hole Angle Nut [40HAN-3407-005-00] (8) M6x1.0x20mm 12.9 Zinc Flake Flanged SHCS [00HSW-3507-202-00]	
	<b>METRIC</b>	<b>SAE</b>
Weight	0.69 kg [694 g]	1.53 lbs [24.5 oz]



PROFILES

COMPONENTS

RIVET SYSTEM

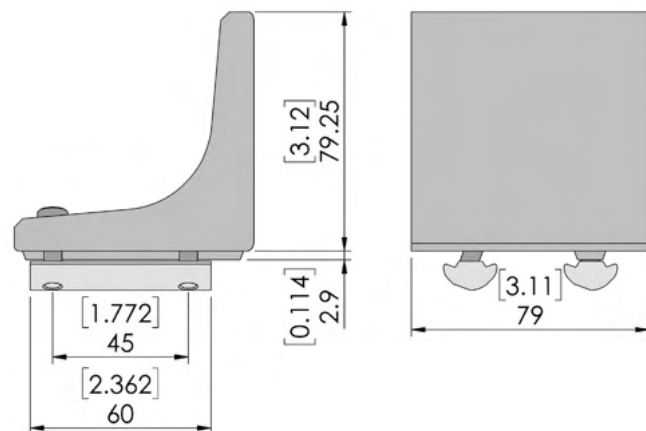
DOORS AND FLOORS

ACCESSORIES

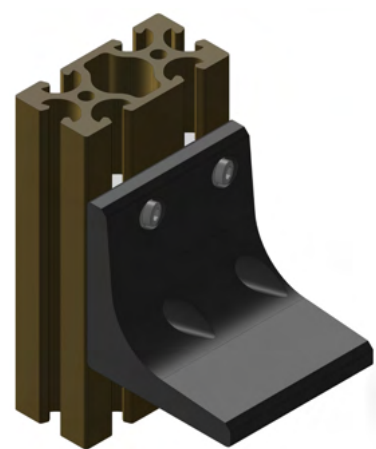
HARDWARE

## 80MM MEDIUM DUTY UNIVERSAL CORNER BRACKET 40CUB-0521-001-01

Material	6061-T6	
Finish	Type II, Class 2 Anodize, Black	
Parts Included in Kit	(1) 80mm Medium Duty Universal Corner Bracket [40CUB-0521-001-00] (2) M6x1.0 60mm 2-Hole Angle Nut [40HAN-3407-005-00] (4) M6x1.0x20mm 12.9 Zinc Flake Flanged SHCS [00HSW-3507-202-00]	
	METRIC	SAE
Weight	0.56 kg [560 g]	1.23 lbs [19.7 oz]

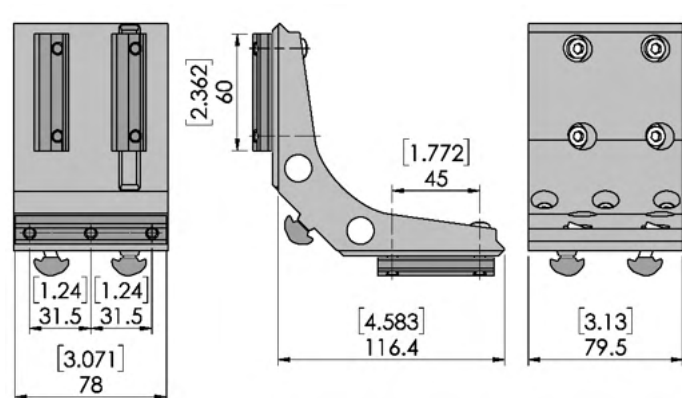


**Quick Tip:**  
This bracket has one leg that is free of any hole pattern. Machine as needed to suit your project's need.

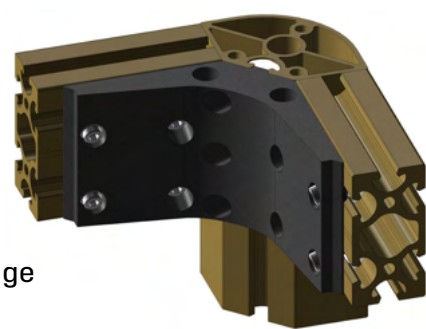


## 80MM 3-WAY CORNER BRACKET 40C3W-0451-001-01

Material	6061-T6	
Finish	Type II, Class 2 Anodize, Black	
Parts Included in Kit	(1) 80mm 3-Way Bracket [40C3W-0451-001-00] (4) M6 60mm 2-Hole Angle Nut [40HAN-3407-005-00] (1) M6 78mm 3-Hole Angle Nut [40HAN-3407-009-00] (11) M6x1.0x20mm 12.9 Flanged SHCS [00HSW-3507-202-00]	
	METRIC	SAE
Weight	1.01 kg [1005 g]	2.21 lbs [35.4 oz]

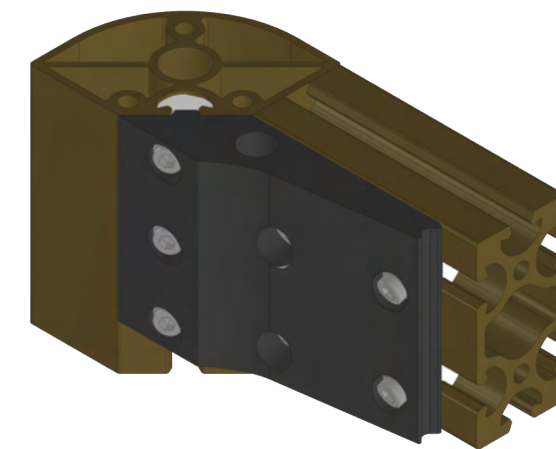
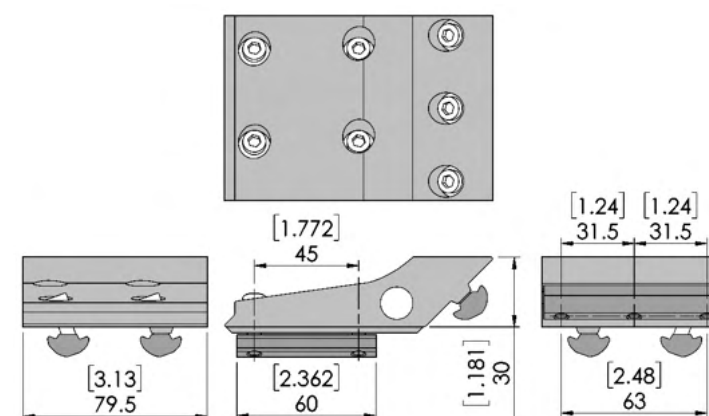


**Quick Tip:**  
An excellent choice for table leg type applications. See page 71 for more info.



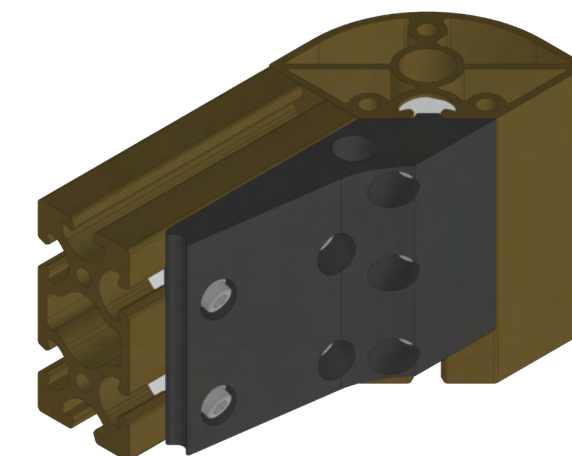
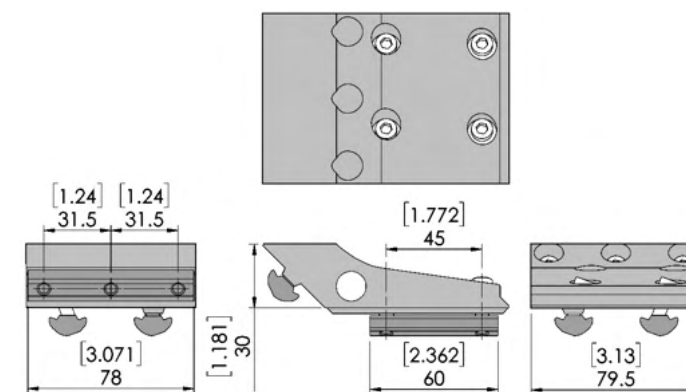
## 80MM 3-WAY RECESSED CORNER BRACKET - LEFT 40C3W-0451-002-01

Material	6061-T6	
Finish	Type II, Class 2 Anodize, Black	
Parts Included in Kit	(1) 80mm 3-Way Recessed Corner Bracket-Left [40C3W-0451-002-00] (2) M6 60mm 2-Hole Angle Nut [40HAN-3407-005-00] (1) M6x1.0 78mm 3-Hole Angle Nut [40HAN-3407-009-00] (7) M6x1.0x20mm 12.9 Flanged SHCS [00HSW-3507-202-00]	
	METRIC	SAE
Weight	0.59 kg [586 g]	1.29 lbs [20.6 oz]



## 80MM 3-WAY RECESSED CORNER BRACKET - RIGHT 40C3W-0451-003-01

Material	6061-T6	
Finish	Type II, Class 2 Anodize, Black	
Parts Included in Kit	(1) 80mm 3-Way Recessed Corner Bracket-Right [40C3W-0451-003-00] (2) M6 60mm 2-Hole Angle Nut [40HAN-3407-005-00] (1) M6 78mm 3-Hole Angle Nut [40HAN-3407-009-00] (7) M6x1.0x20mm 12.9 Flanged SHCS [00HSW-3507-202-00]	
	METRIC	SAE
Weight	0.60 kg [600 g]	1.32 lbs [21.2 oz]



PROFILES

COMPONENTS

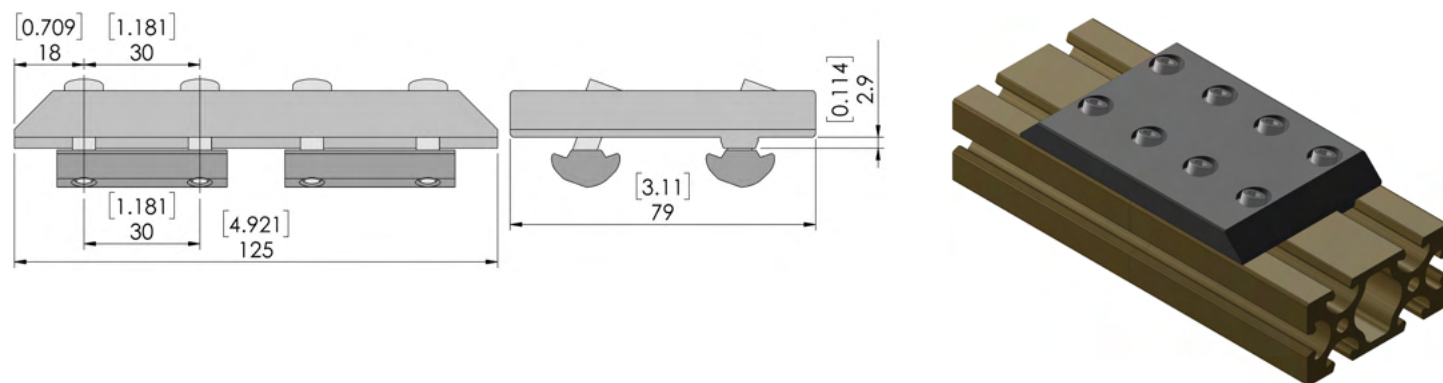
RIVET SYSTEM

DOORS AND FLOORS

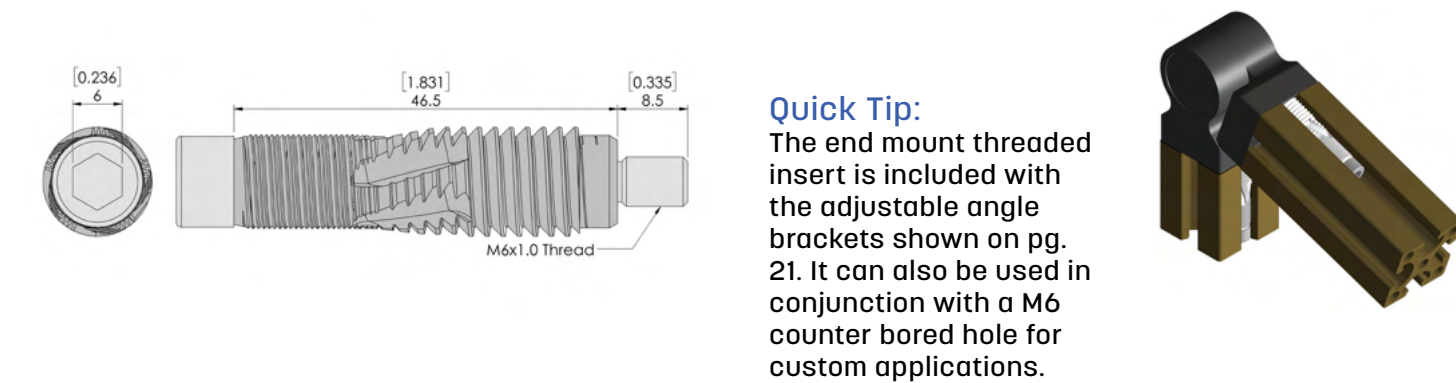
ACCESSORIES

HARDWARE

80MM STANDARD DUTY BUTT JOINT JOINING PLATE		40CJP-0441-001-01
Material	6061-T6	
Finish	Type II, Class 2 Anodize, Black	
Parts Included in Kit	(1) 80mm Standard Duty Butt Joint Joining Plate [40CJP-0441-001-00] (4) M6 44mm 2-Hole Angle Nut [40HAN-3407-003-00] (8) M6x1.0x20mm 12.9 Flanged SHCS [00HSW-3507-202-00]	
	METRIC	SAE
Weight	0.50 kg [503 g]	1.11 lbs [17.8 oz]

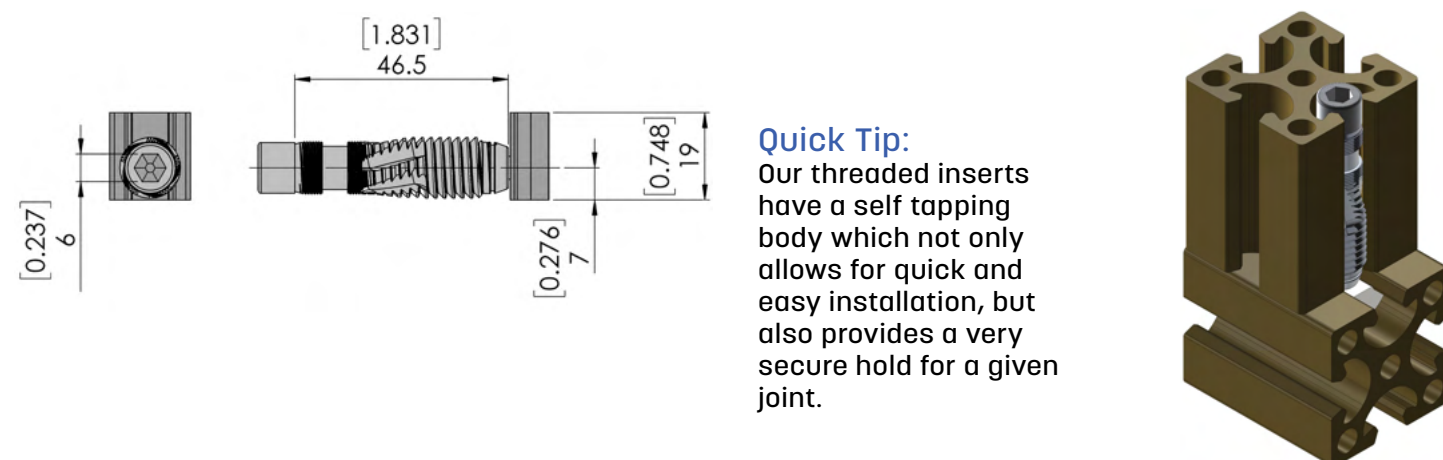


40-6 END MOUNT THREADED INSERT KIT		40CTI-0410-004-01
Material	7075-T6	
Finish	None	
Parts Included in Kit	(1) 40-6 End Mount Threaded Insert [40CTI-0410-004-00] (1) M6x1.0x55mm 12.9 CDI SHCS [00HSW-3507-800-00]	
	METRIC	SAE
Weight	0.02 kg [22 g]	0.05 lbs [0.78 oz]



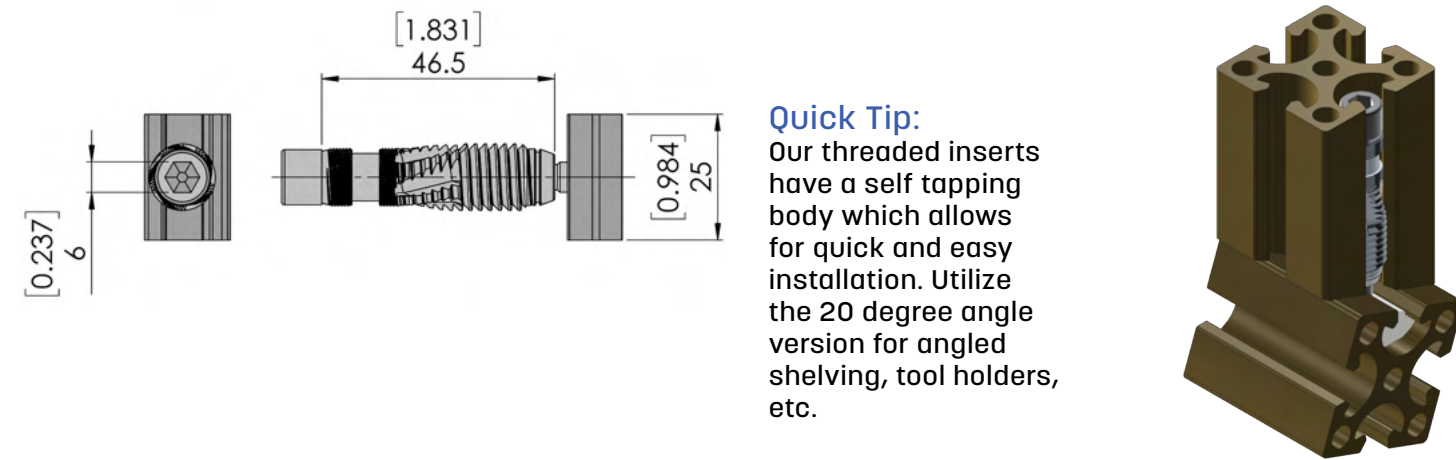
**Quick Tip:**  
The end mount threaded insert is included with the adjustable angle brackets shown on pg. 21. It can also be used in conjunction with a M6 counter bored hole for custom applications.

40-6 THREADED INSERT		40CTI-0410-001-01
Material	7075-T6	
Finish	NONE	
Parts Included in Kit	(1) 40-6 Threaded Insert [40CTI-0410-001-00] (1) M6 20mm 1-Hole Standard Offset Nut [40HSN-3407-001-00] (1) M6x1.0x55mm 12.9 CDI SHCS [00HSW-3507-800-00]	
	METRIC	SAE
Weight	0.04 kg [37 g]	0.08 lbs [1.3 oz]



**Quick Tip:**  
Our threaded inserts have a self tapping body which not only allows for quick and easy installation, but also provides a very secure hold for a given joint.

40-6 THREADED INSERT WITH 20° ANGLE NUT		40CTI-0410-001-03
Material	7075-T6	
Finish	NONE	
Parts Included in Kit	(1) 40-6 Threaded Insert [40CTI-0410-001-00] (1) M6 25mm 1-Hole Standard Offset Nut [40HAN-3407-001-00] (1) M6x1.0x55mm 12.9 CDI SHCS [00HSW-3507-800-00]	
	METRIC	SAE
Weight	0.05 kg [45 g]	0.10 lbs [1.6 oz]



**Quick Tip:**  
Our threaded inserts have a self tapping body which allows for quick and easy installation. Utilize the 20 degree angle version for angled shelving, tool holders, etc.

PROFILES

COMPONENTS

RIVET SYSTEM

DOORS AND FLOORS

ACCESSORIES

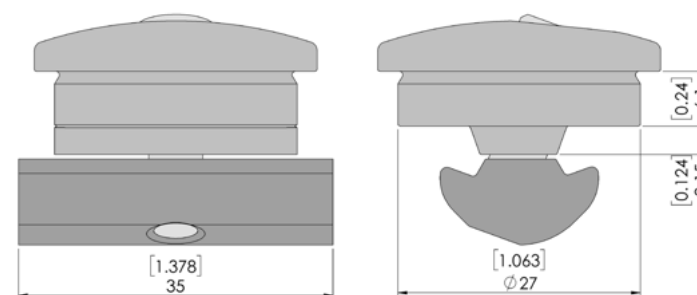
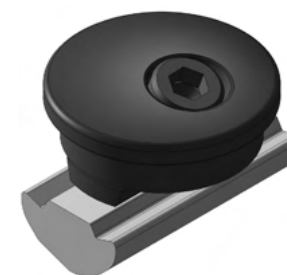
HARDWARE



# RIVET SYSTEM

Thanks to the proprietary ANGLE-LOCK® system, Controlled Dynamics is able to offer many components unique to the structural aluminum industry. Based upon a tapered locking surface, in combination with the angled fastening method, these versatile rivets provide an extremely strong grip, yet remain easily removed and reused. These rivets also allow for infinite adjustability and an endless number of fastening options.

Ø27MM 1/4" UNIVERSAL ANGLE RIVET		40RRI-0411-006-01
Material	7075-T6	
Finish	Type II, Class 2 Anodize, Black	
Parts Included	(1) Ø27mm 1/4" Universal Angle Rivet [40RRI-0411-006-00] (1) M6 38mm 1-Hole Angle Nut [40HAN-3407-008-00] (1) M6x1.0x20mm 12.9 SHCS [00HSW-3501-001-00]	
	METRIC	SAE
Weight	0.05 kg [57 g]	0.13 lbs [2.0 oz]

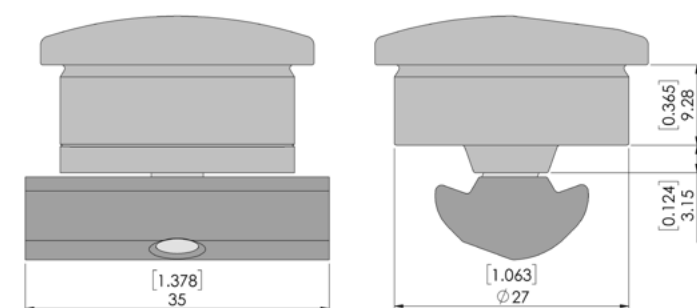
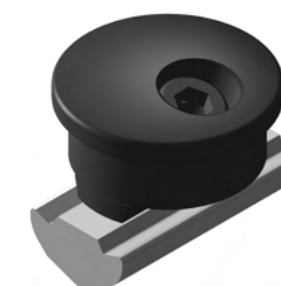


**Quick Tip:**  
Create your own custom brackets out of .25" thick material and use the universal angle rivet to provide a long-lasting hold.

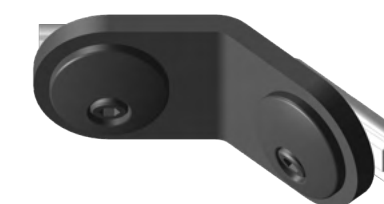


	DESCRIPTION	PART #	PAGE
STRAIGHT HOLE	Ø27mm 1/4" Universal Angle Rivet	40RRI-0411-006-01	35
	Ø27mm 3/8" Universal Angle Rivet	40RRI-0411-007-01	35
	Ø27mm Angle Rivet	40RRI-0411-005-01	36
ANGLED HOLE	Ø27mm x 20mm Standard Rivet	40RRI-0411-003-01	36
	40mm Adjustable Compound Angle Bracket	40RAB-0421-001-00	37
	40mm Adjustable Compound Angle Bracket Kit	40RAB-0421-001-01	37
	2-Hole Rivet Plate	40RJP-0421-00X-00	38
	40mm Adjustable Angle Plate - Left	40RJP-0421-006-00	38
	40mm Adjustable Angle Plate - Right	40RJP-0421-007-01	39

Ø27MM 3/8" UNIVERSAL ANGLE RIVET		40RRI-0411-007-01
Material	7075-T6	
Finish	Type II, Class 2 Anodize, Black	
Parts Included	(1) Ø27mm 3/8" Universal Angle Rivet [40RRI-0411-007-00] (1) M6 38mm 1-Hole Angle Nut [40HAN-3407-008-00] (1) M6x1.0x20mm 12.9 SHCS [00HSW-3501-001-00]	
	METRIC	SAE
Weight	0.06 kg [61 g]	0.14 lbs [2.2 oz]



**Quick Tip:**  
Create your own custom brackets out of .375" thick material and use the universal angle rivet to provide a long-lasting hold.



PROFILES

COMPONENTS

RIVET SYSTEM

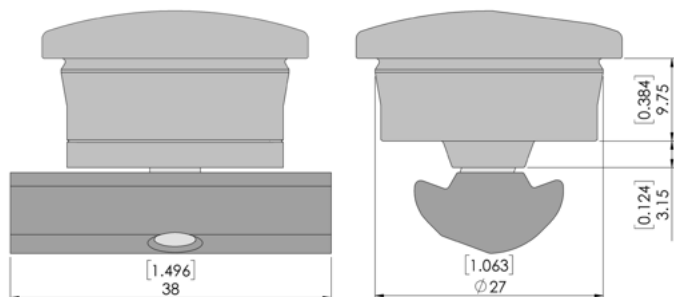
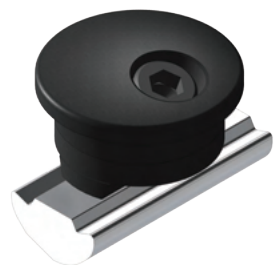
DOORS AND FLOORS

ACCESSORIES

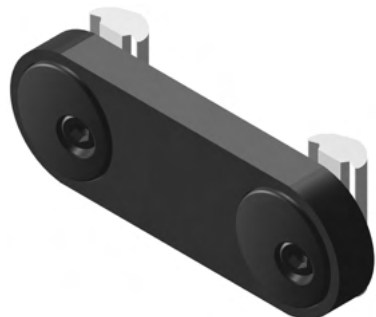
HARDWARE

## Ø27MM ANGLE RIVET 40RRI-0411-005-01

Material	7075-T6	
Finish	Type II, Class 2 Anodize, Black	
Parts Included	(1) Ø27mm Angle Rivet [40RRI-0411-005-00] (1) M6 38mm 1-Hole Angle Nut [40HAN-3407-008-00] (1) M6x1.0x20mm 12.9 SHCS [00HSW-3501-001-00]	
	METRIC	SAE
Weight	0.06 kg [65 g]	0.14 lbs [2.3 oz]

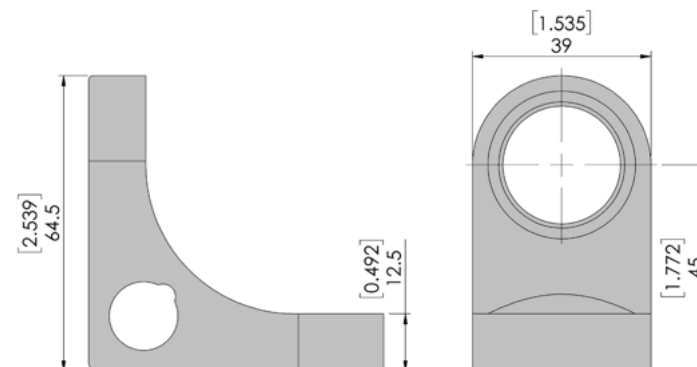


**Quick Tip:** When utilized in the appropriately sized, hole this rivet gives your connection a resilient taper lock. Use with custom plates or our two-hole rivet plates (pg. 38). Lightly oil the contact surface to aid in assembly and later adjustments

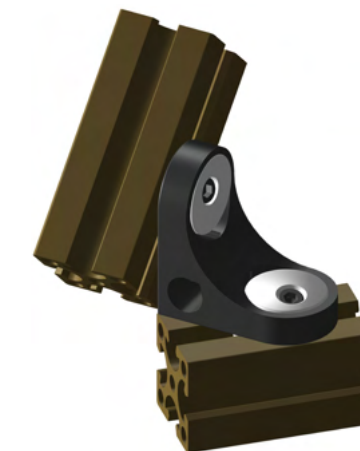


## 40MM COMPOUND ANGLE BRACKET 40RAB-0421-001-00

Material	6061-T6	
Finish	Type II, Class 2 Anodize, Black	
Parts Included	(1) 40mm Compound Angle Bracket [40RAB-0421-001-00]	
	METRIC	SAE
Weight	0.11 kg [105 g]	0.23lbs [3.7 oz]

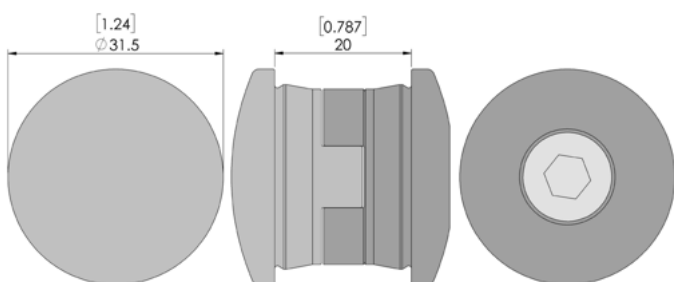


**Quick Tip:** This part number is for the bracket only. Angle Rivets not included.



## Ø27MM X 20MM STANDARD RIVET 40RRI-0411-003-01

Material	7075-T6	
Finish	Type II, Class 2 Anodize, Black	
Parts Included	(1) Ø27mm x 20mm Std Rivet-Male [40RRI-0411-003-00] (1) Ø27mm x 20mm Std Rivet-Female [40RRI-0411-004-00] (1) M8x1.25x20mm 12.9 SHCS [00HSW-3401-016-00]	
	METRIC	SAE
Weight	0.06 kg [58 g]	0.13 lbs [2.1 oz]

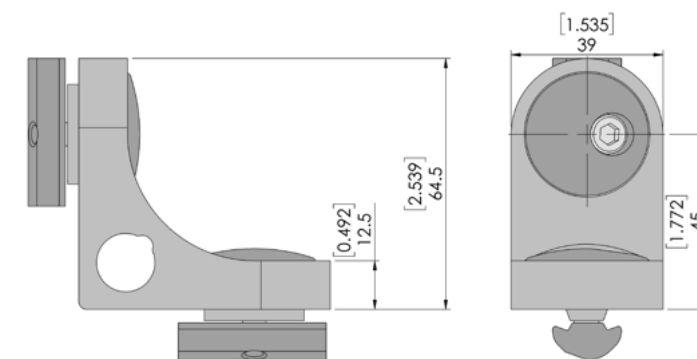


**Quick Tip:** Combine brackets for a versatile, adjustable connection wherever is needed.

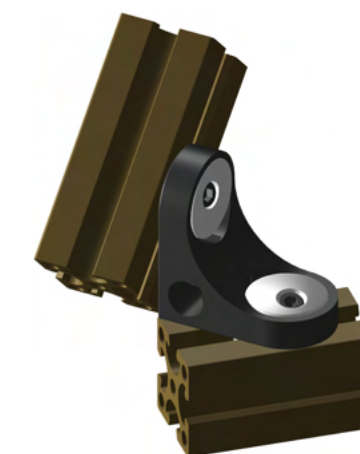


## 40MM COMPOUND ANGLE BRACKET KIT 40RAB-0421-001-01

Material	6061-T6	
Finish	Type II, Class 2 Anodize, Black	
Parts Included	(1) 40mm Compound Angle Bracket [40RAB-0421-001-00] (2) Ø27mm Angle Rivet Kit [40RRI-0411-005-01]	
	METRIC	SAE
Weight	0.23 kg [234 g]	0.52 lbs [8.3 oz]



**Quick Tip:** Lightly oil the contact surface of the rivet during installation to aid in assembly and later adjustments.



PROFILES

COMPONENTS

RIVET SYSTEM

DOORS AND FLOORS

ACCESSORIES

HARDWARE

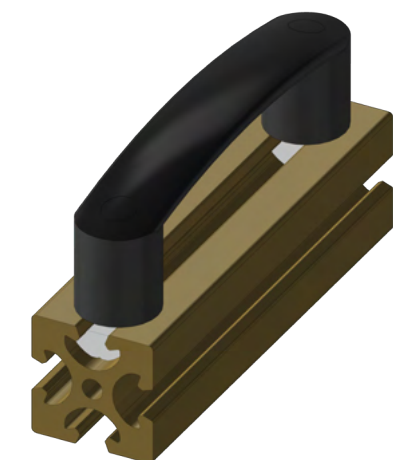
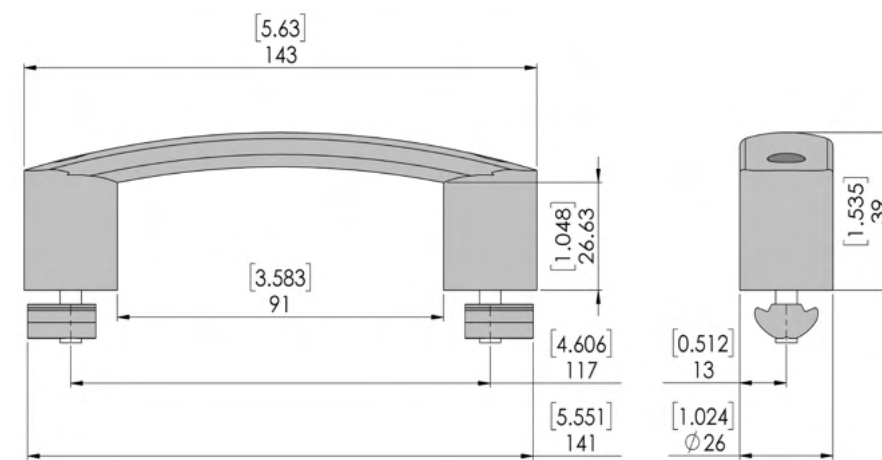


# DOORS AND FLOORS

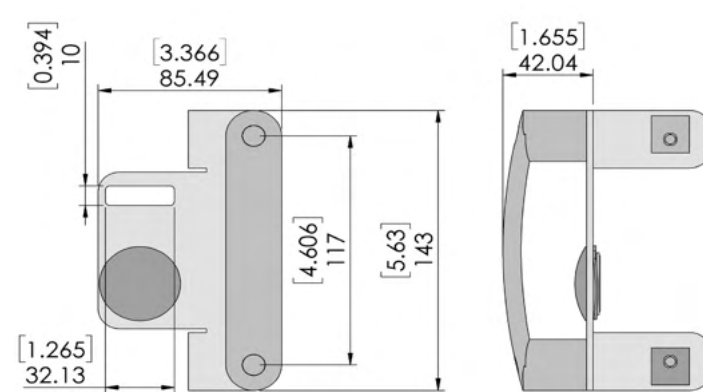
Complete a project with Controlled Dynamics' vast offering of door and floor related components. Whether looking for panels, hinges, casters, or leveling feet, we have it all. These offerings allow the creation of doors of all sizes, shapes, and styles, as well as endless options for connection between your frame and the floor.

	DESCRIPTION	PART #	PAGE
PANELS AND RETAINERS	40-6 117mm Universal Handle Kit-Black Caps	40DDH-0401-001-01	41
	40-6 HD Black Locking Door Catch Face Plate	40DDC-3501-002-01	41
	40-6 HD Locking Door Catch Strike Plate	40DDC-3507-002-01	42
	40-6 Snap-in Door Seal	40D54-0011-01C	42
	40-6 Panel Gasket/Slot Cover	40DPG-1411-001-00	43
	40-6 Black Snap-in Double 5.6mm Panel Retainer	40D04-0011-030	43
	40-6 Black Snap-in 5.6mm Panel Retainer	40D04-0011-020	44
	40-6 Black Beveled Snap-in 5.6mm Panel Retainer	40D04-0011-010	44
	25x35mm Panel Retainer Bracket	40DPR-0411-001-00	45
	40mm Universal Panel Retainer-Black	40DPR-0411-002-00	45
	5.6mm Black PVC-Coated 1" Wire Mesh	00DWM-3401-001-00	46
	5.6mm Yellow PVC-Coated 1" Wire Mesh	00DWM-3403-001-00	46
	5.6mm Clear Polycarbonate Panel	00DPA-1404-003-00	47
	5.6mm Acrylic Panel	00DPA-140X-001-00	47
	6mm ABS Textured Panel	00DPA-140X-002-00	47
HINGES	40mm LH Inside Hinge	40DHI-0411-001-01	48
	40mm RH Inside Hinge	40DHI-0411-003-01	48
	40mm LH Outside Hinge	40DHO-0411-001-01	49
	40mm RH Outside Hinge	40DHO-0411-003-01	49
CASTER PLATES AND FLOOR ANCHORS	40x80 M12 Stem/Plate Caster Profile Mounting Kit	40DCP-0401-001-02	50
	40x80 M12 Stem/HD Plate Caster Profile Mounting Kit	40DCP-0401-009-02	50
	70x70 M12 Stem Caster End Mounting Kit	40DCP-0401-005-01	51
	70x70 M12 Stem/Plate Caster End Mounting Kit	40DCP-0401-004-01	51
	70x70 M12 Stem/HD Plate Caster End Mounting Kit	40DCP-0401-008-01	52
	70x70 HD Floor Anchor Plate Kit	40DFA-0501-001-01	52
	80x80 M12 Stem/Plate Caster Profile Mounting Kit	40DCP-0401-003-02	53
	80x80 M12 Stem/HD Plate Caster Profile Mounting Kit	40DCP-0401-010-02	53
LEVELING FEET AND CASTERS	40mm Floor Anchor Kit	40DFA-0401-001-01	54
	M8 Stem Mt Leveling Foot (750kg)	00DLF-3500-001-00	54
	M12 Stem Mt Leveling Foot (2000kg)	00DLF-3600-001-00	55
	M12 Stem Mt Leveling Caster-Black (250kg)	00DCA-3500-004-00	55
	Plate Mt Swivel Leveling Caster-Black (250kg)	00DCA-3500-003-00	56
	M8 Stem Mt ø50mm Caster w/Total Brake (40kg)	00DCA-3200-001-00	56
	M12 Stem Mt ø75mm Caster w/Total Brake (70kg)	00DCA-3300-001-00	57
	Plate Mt ø75mm Fixed Caster (70kg)	00DCA-3300-002-00	57
	Plate Mt ø125mm Swivel Caster w/Total Brake (125kg)	00DCA-3400-002-00	58
	Plate Mt ø125mm Fixed Caster (125kg)	00DCA-3400-001-00	58
	Plate Mt ø100mm Swivel Caster w/ Brake (400kg)	00DCA-3500-002-00	59
	Plate Mt ø100mm Fixed Caster (400kg)	00DCA-3500-001-00	59

40-6 117MM UNIVERSAL HANDLE W/BLACK CAPS		40DDH-0401-001-01
Material	Polypropylene	
Finish	Matte Black	
Parts Included in Kit	(1) 117mm Universal Handle-Black Caps [00DDH-0401-001-00] (2) M6x1.0x16mm 10.9 SHCS [00HSW-3401-001-00] (2) M6 20mm 1-Hole Std. Offset Nut [40HSN-3407-001-00]	
	METRIC	SAE
Weight	0.09 kg [850 g]	0.19 lbs [3.0 oz]



40-6 HD BLACK LOCKING DOOR CATCH FACE PLATE		40DDC-3501-002-01
Material	11 Gauge 1018 Steel	
Finish	Black Epoxy E-Coat	
Parts Included in Kit	(1) 40-6 HD Black Door Catch Face Plate [40DDC-3501-001-00] (2) M6x1.0x14mm Hex Drive Flat Head Screw[00HSW-3401-303-00] (2) M6x1.0 20mm 1-Hole Std Offset Nut [40HSN-3407-001-00] (2) M6x1.0x10mm SHCS [00HSW-3501-011-00]	
	METRIC	SAE
Weight	0.39 kg [390 g]	0.86 lbs [13.8 oz]



**Quick Tip:**  
Use in conjunction with the strike plate kit (pg. 42) for a secure, lockable, magnetic catch.



PROFILES

COMPONENTS

RIVET SYSTEM

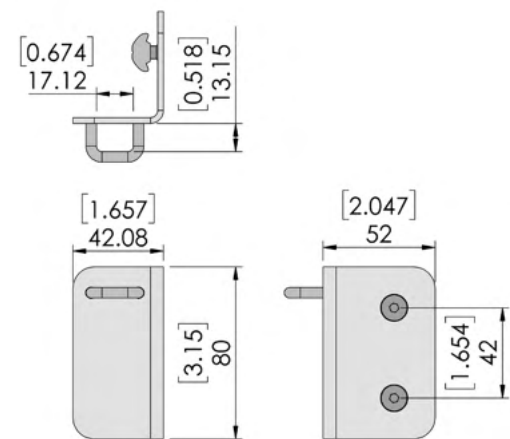
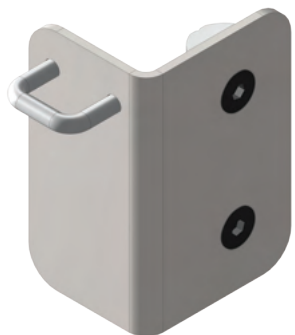
DOORS AND FLOORS

ACCESSORIES

HARDWARE

## 40-6 HD LOCKING DOOR CATCH STRIKE PLATE 40DDC-3507-002-01

Material	10 Gauge 1018 Steel	
Finish	Clear Zinc	
Parts Included in Kit	(1) Locking Door Catch Strike Plate [40DDC-3507-002-00] (2) M6x1.0 20mm Bright Zinc 1-Hole Std Offset Nut [40HSN-3407-001-00] (2) M6x1.0x14mm Hex Drive Flat Head Screw [00HSW-3401-303-00]	
	METRIC	SAE
Weight	0.19 kg [188g]	0.41 lbs [6.6 oz]

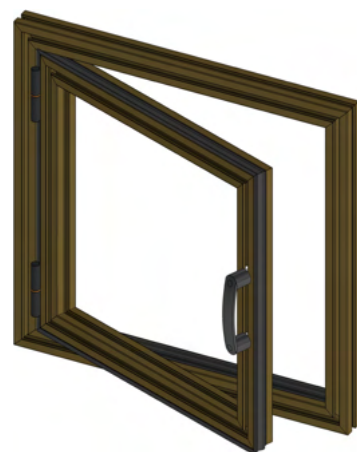
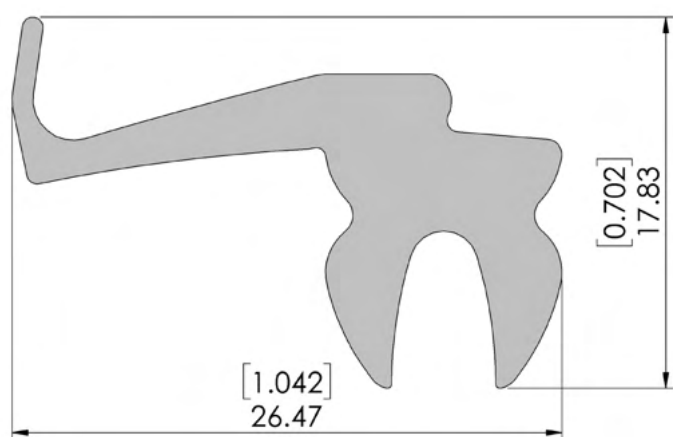


**Quick Tip:**  
Use in conjunction with the face plate kit (pg. 41) for a secure, lockable catch.



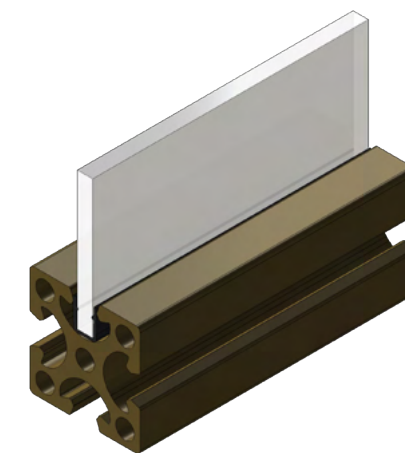
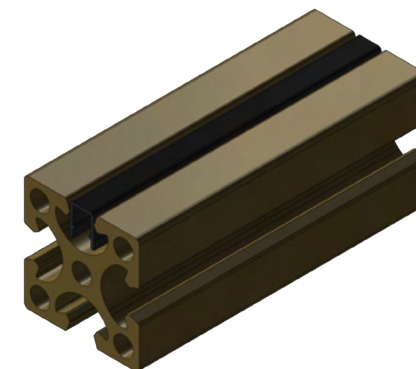
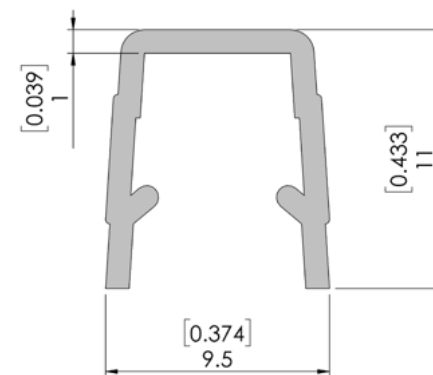
## 40-6 SNAP-IN DOOR SEAL 40D54-0011-01C

Material	Santoprene	
Finish	Matte Black	
Parts Included in Kit	40-6 Snap-In Door Seal (Cut Lengths) [40D54-0011-01C]	
	METRIC	SAE
Weight Per Length	0.14 kg/m	0.09 lb/ft



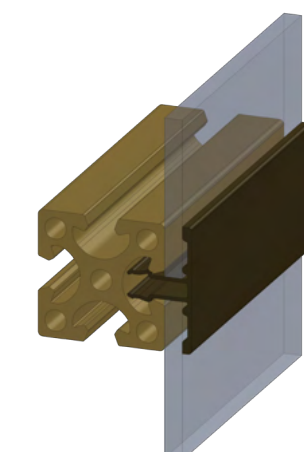
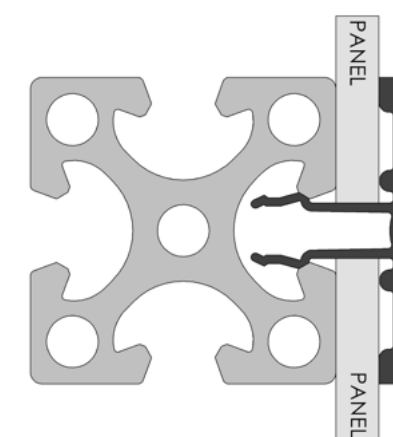
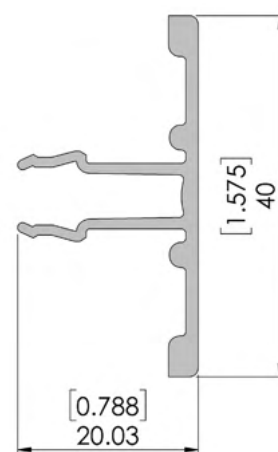
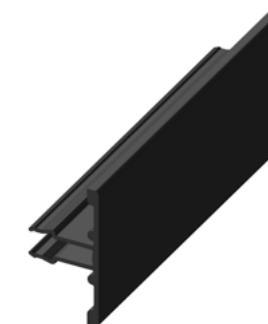
## 40-6 PANEL GASKET/SLOT COVER 40DPG-1411-001-00

Material	Polypropylene	
Finish	Matte Black	
Parts Included in Kit	(1) 40-6 Panel Gasket/Slot Cover-2000mm [40DPG-1411-001-00]	
	METRIC	SAE
Weight	0.190 kg [190 g]	0.42 lbs [6.7 oz]



## 40-6 BLACK SNAP-IN DOUBLE 5.6MM PANEL RETAINER 40D04-0011-030

Material	6005-T5	
Finish	Type II, Architectural Class I Anodize	
Available Color(s)	Black	
	METRIC	SAE
Weight Per Length	0.31 kg/m	0.21 lb/ft
Available Length(s) : 40D04-0011-030	3683 mm	145"
40D04-0011-03C	25 - 3683 mm	1" to 145"



PROFILES

COMPONENTS

RIVET SYSTEM

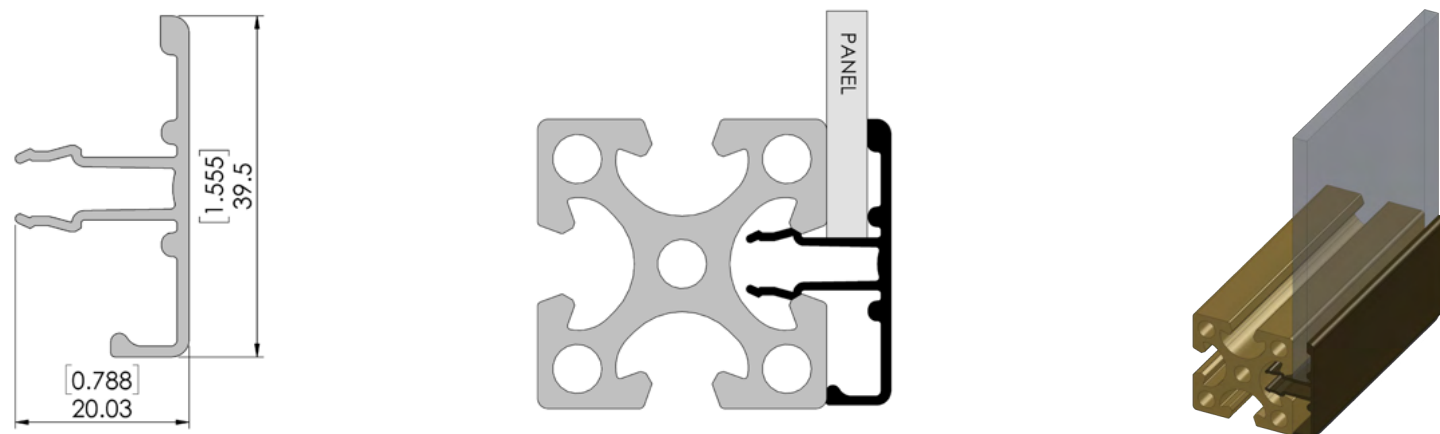
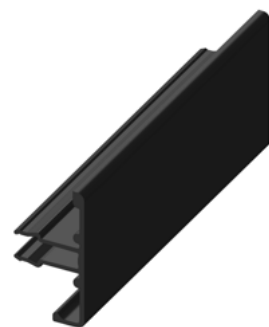
DOORS AND FLOORS

ACCESSORIES

HARDWARE

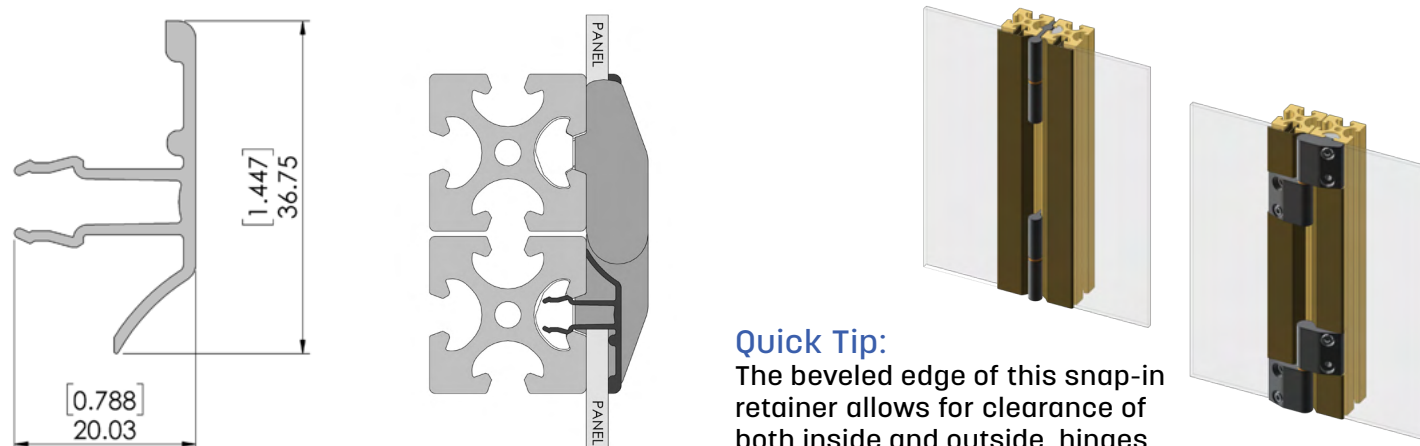
## 40-6 SNAP-IN 5.6MM PANEL RETAINER 40D04-0011-020

Material	6005-T5	
Finish	Type II, Architectural Class I Anodize	
Available Color(s)	Black	
	METRIC	SAE
Weight Per Length	0.349 kg/m	0.235 lb/ft
Available Length(s):	3683 mm 25 - 3683 mm	145" 1" to 145"



## 40-6 BEVELED SNAP-IN 5.6MM PANEL RETAINER 40D04-0011-010

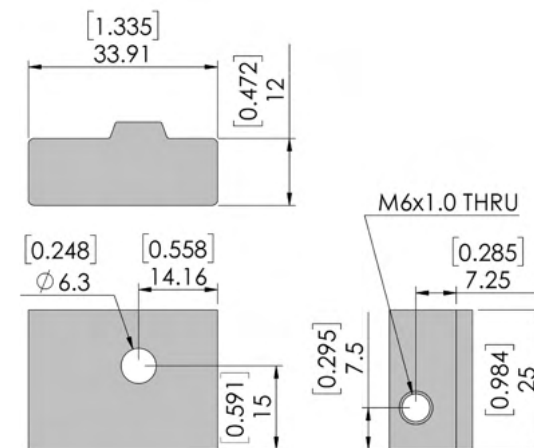
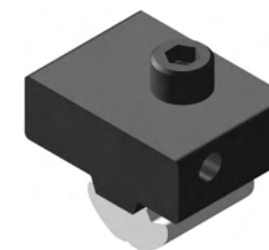
Material	6005-T5	
Finish	Type II, Architectural Class I Anodize	
Available Color(s)	Black	
	METRIC	SAE
Weight Per Length	0.300 kg/m	0.205 lb/ft
Available Length(s):	3683 mm 25 - 3683 mm	145" 1" to 145"



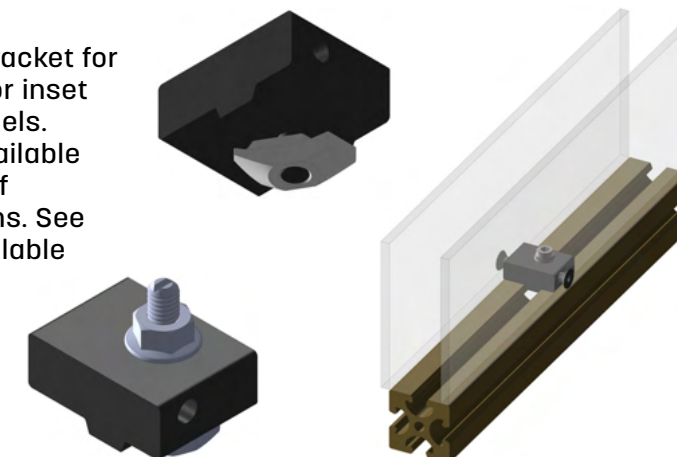
**Quick Tip:**  
The beveled edge of this snap-in retainer allows for clearance of both inside and outside hinges.

## 25X35MM PANEL RETAINER BRACKET 40DPR-0411-001-0X

Material	6061-T6	
Finish	Type II, Class 2 Anodize, Black	
Available Configurations	Panel Retainer Bracket w/M6 Straight Nut [40DPR-0411-001-02] Panel Retainer Bracket w/M6 Drop-In Stud [40DPR-0411-001-01] Panel Retainer Bracket w/M6 Drop-In Nut [40DPR-0411-001-03]	
	METRIC	SAE
Weight	≈0.05 kg [50 g]	≈0.11 lbs [1.8 oz]

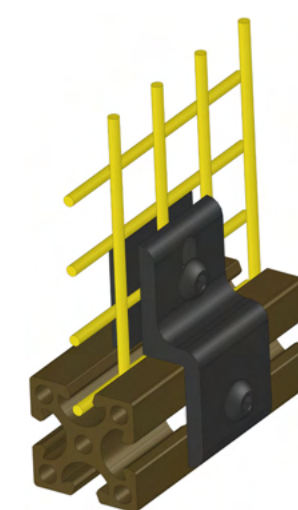
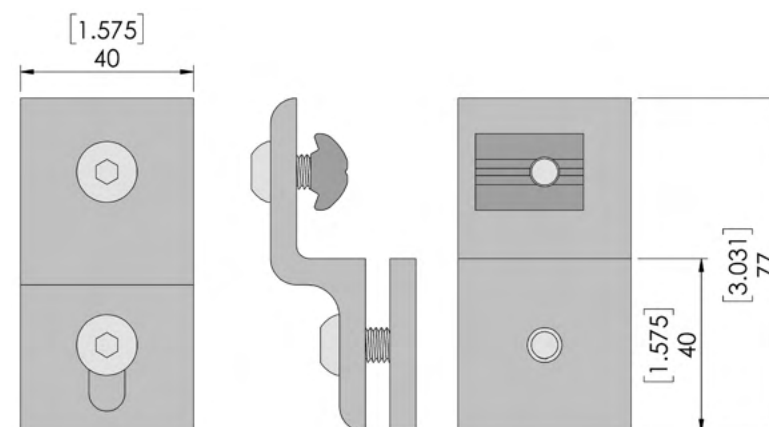


**Quick Tip:**  
Utilize this bracket for either flush or inset mounted panels. This kit is available in a variety of configurations. See table for available options.



## 40MM UNIVERSAL PANEL RETAINER 40DPR-0411-002-00

Material	6061-T6	
Finish	Type II, Class 2 Anodize, Black	
Parts Included	(1) 40mm Universal Panel Retainer [40DPR-0411-002-01] (1) M8x1.25 25mm 1-Hole Std Offset Nut [40HSN-3507-001-00] (2) M8x16mm Button SHCS [00HSW-3401-502-00]	
	METRIC	SAE
Weight	0.12 kg [117 g]	0.26 lbs [4.2 oz]



PROFILES

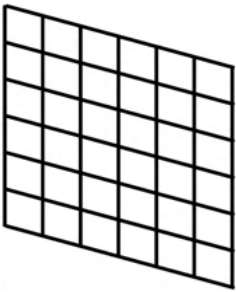
COMPONENTS

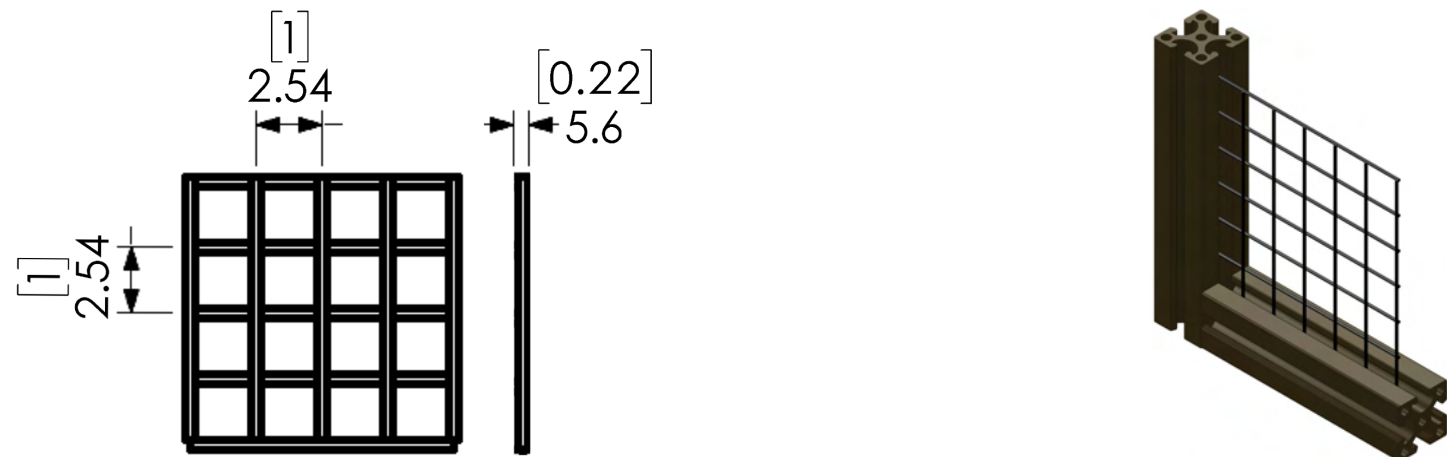
RIVET SYSTEM

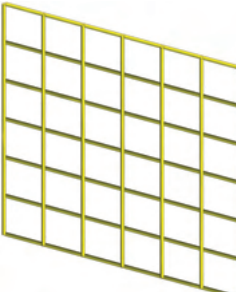
DOORS AND FLOORS

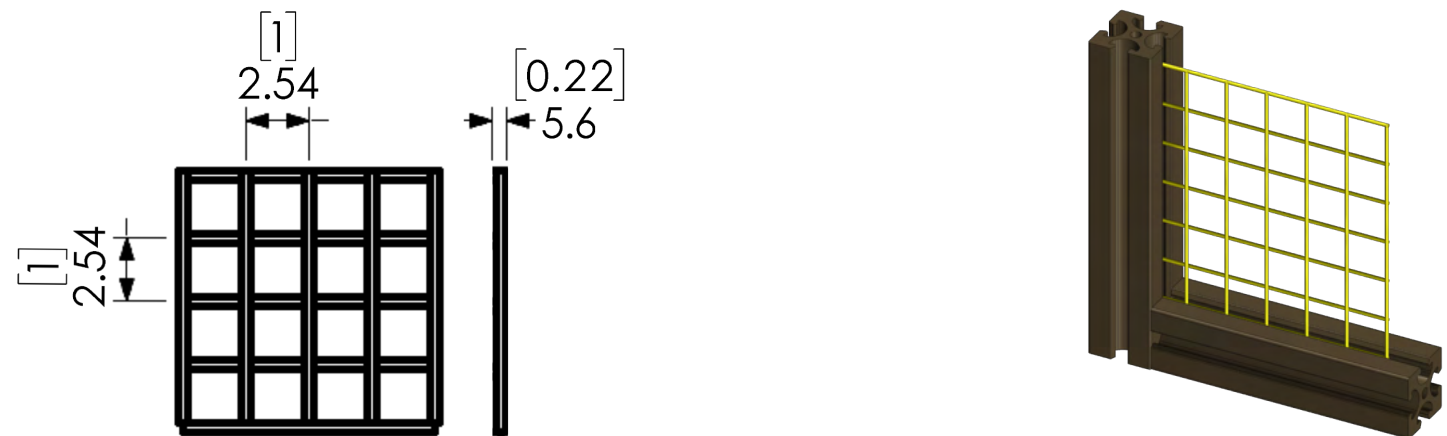
ACCESSORIES


HARDWARE


5.6MM PVC-COATED 1" WIRE MESH PANEL-BLACK			00DWM-3401-001-00
Material	PVC-Coated Steel		
Available Color(s)	Black		
	<b>METRIC</b>	<b>SAE</b>	
Full Sheet Weight Weight Per Area	14.08 kg 4.736 kg/m <sup>2</sup>	31.04 lbs 0.97 lbs/ft <sup>2</sup>	
Available Size(s):	00DWM-3401-001-00 00DWM-3401-001-0C	1219 x 2438 mm 25-1219mm x 25-2439mm	48" x 96" 1"-48" x 1"-96"




5.6MM PVC-COATED 1" WIRE MESH PANEL-YELLOW			00DWM-3403-001-00
Material	PVC-Coated Steel		
Available Color(s)	Yellow		
	<b>METRIC</b>	<b>SAE</b>	
Full Sheet Weight Weight Per Area	14.08 kg 4.736 kg/m <sup>2</sup>	31.04 lbs 0.97 lbs/ft <sup>2</sup>	
Available Size(s):	00DWM-3403-001-00 00DWM-3403-001-0C	1219 x 2438 mm 25-1219mm x 25-2439mm	48" x 96" 1"-48" x 1"-96"



5.6MM CLEAR POLYCARBONATE PANEL			00DPA-1404-003-00
Material	Polycarbonate		
Available Color(s)	Clear		
	<b>METRIC</b>	<b>SAE</b>	
Full Sheet Weight Weight Per Area	19.77 kg 6.65 kg/m <sup>2</sup>	43.58 lbs 1.36 lbs/ft <sup>2</sup>	
Available Size(s):	00DPA-1404-003-00 00DPA-1404-003-0C	1219 x 2438 mm 25-1219mm x 25-2439mm	48" x 96" 1"-48" x 1"-96"

5.6MM ACRYLIC PANEL			00DPA-140X-001-00	
Material	Acrylic			
Available Color(s)	Black, Clear, Smoked			
	<b>METRIC</b>	<b>SAE</b>		
Full Sheet Weight Weight Per Area	19.94 kg 6.71 kg/m <sup>2</sup>	43.95 lbs 1.37 lbs/ft <sup>2</sup>		
Available Size(s):	00DPA-1401-001-00 00DPA-1401-001-0C 00DPA-1404-001-00 00DPA-1404-001-0C 00DPA-1407-001-00 00DPA-1407-001-0C	Black Black Clear Clear Smoked Smoked	1219 x 2438 mm 25-1219mm x 25-2439mm 1219 x 2438 mm 25-1219mm x 25-2439mm 1219 x 2438 mm 25-1219mm x 25-2439mm	48" x 96" 1"-48" x 1"-96" 48" x 96" 1"-48" x 1"-96" 48" x 96" 1"-48" x 1"-96"

6MM ABS TEXTURED PANEL			00DPA-140X-002-00	
Material	Acrylonitrile Butadiene Styrene			
Available Color(s)	Black, White			
	<b>METRIC</b>	<b>SAE</b>		
Full Sheet Weight Weight Per Area	18.19 kg 6.12 kg/m <sup>2</sup>	40.11 lbs 1.25 lbs/ft <sup>2</sup>		
Available Size(s):	00DPA-1401-002-00 00DPA-1401-002-0C 00DPA-1405-002-00 00DPA-1405-002-0C	Black Black White White	1219 x 2438 mm 25-1219mm x 25-2439mm 1219 x 2438 mm 25-1219mm x 25-2439mm	48" x 96" 1"-48" x 1"-96" 48" x 96" 1"-48" x 1"-96"

PROFILES

COMPONENTS

RIVET SYSTEM

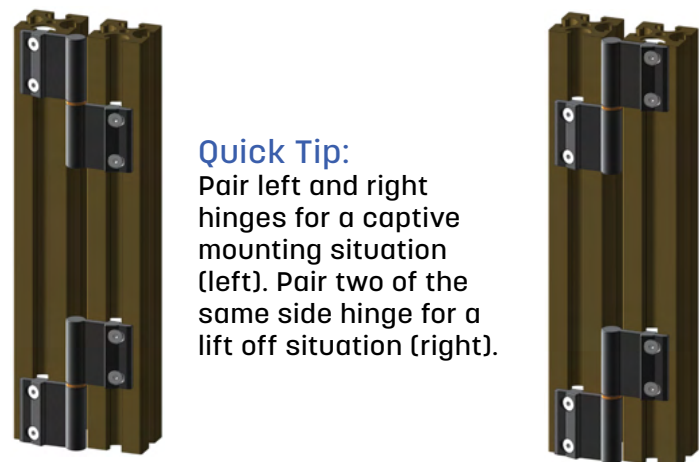
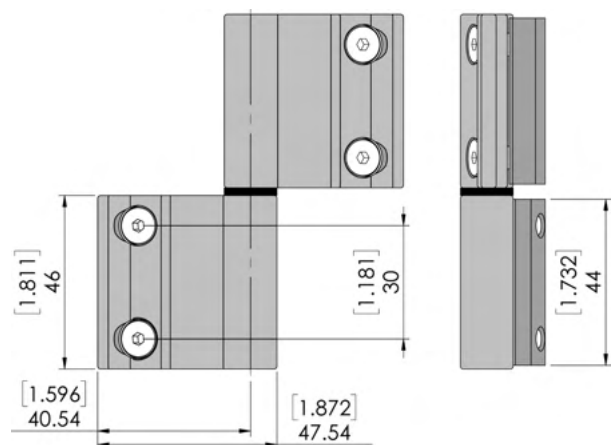
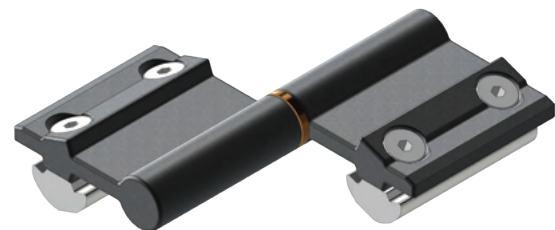
DOORS AND FLOORS

ACCESSORIES

HARDWARE

## 40MM LEFT-HAND INSIDE HINGE 40DHI-0411-001-01

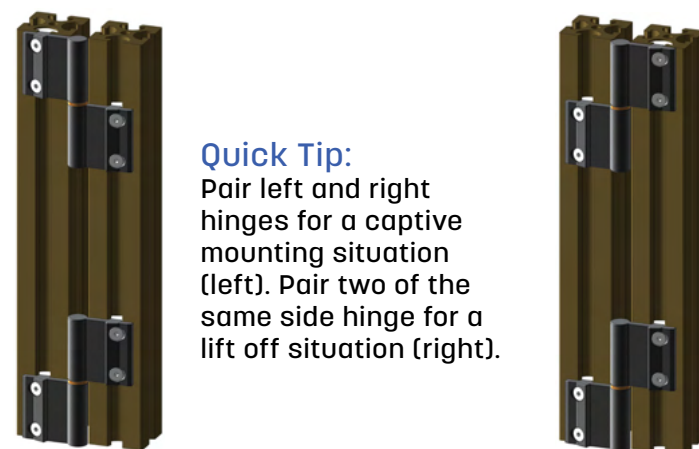
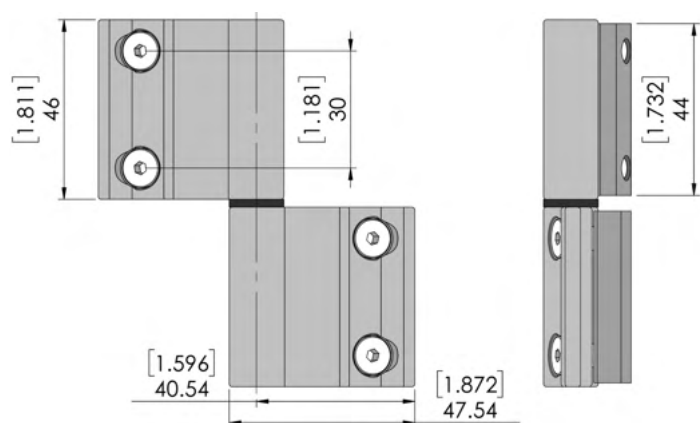
Material	6061-T6	
Finish	Type II, Class 2 Anodize, Black	
Parts Included in Kit	(1) 40mm LH Inside Hinge-Bushing Side [40DHI-0411-001-00] (1) 40mm LH Inside Hinge-Pin Side [40DHI-0411-002-00] (2) M6 44mm 2-Hole Angle Nut [40HAN-3407-003-00] (4) M6x1.0x16mm 10.9 Ultra Low Head SHCS [00HSW-3401-400-01]	
	<b>METRIC</b>	<b>SAE</b>
Weight	0.19 kg [186 g]	0.40 lbs [6.5 oz]



**Quick Tip:**  
Pair left and right hinges for a captive mounting situation (left). Pair two of the same side hinge for a lift off situation (right).

## 40MM RIGHT-HAND INSIDE HINGE 40DHI-0411-003-01

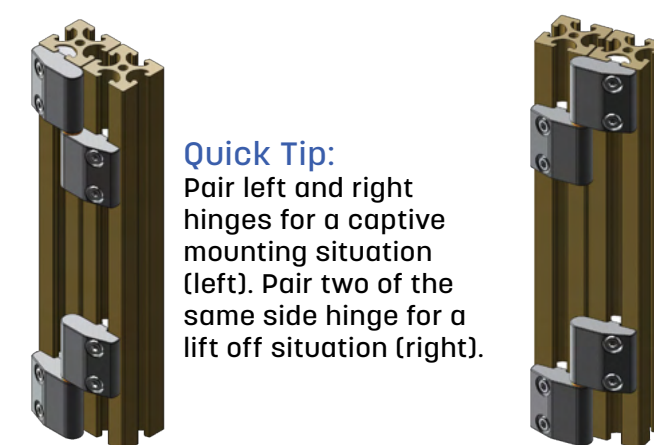
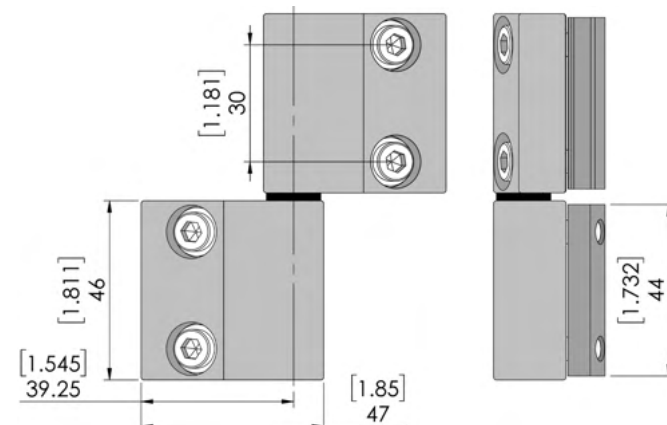
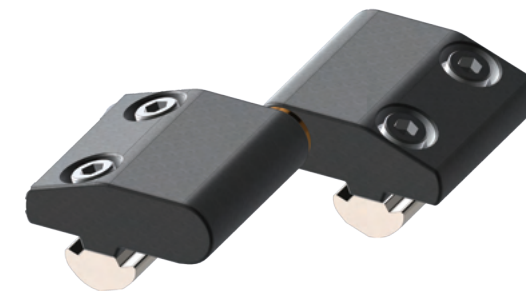
Material	6061-T6	
Finish	Type II, Class 2 Anodize, Black	
Parts Included in Kit	(1) 40mm RH Inside Hinge-Bushing Side [40DHI-0411-003-00] (1) 40mm RH Inside Hinge-Pin Side [40DHI-0411-004-00] (2) M6 44mm 2-Hole Angle Nut [40HAN-3407-003-00] (4) M6x1.0x16mm 10.9 Ultra Low Head SHCS [00HSW-3401-400-01]	
	<b>METRIC</b>	<b>SAE</b>
Weight	0.19 kg [186 g]	0.40 lbs [6.5 oz]



**Quick Tip:**  
Pair left and right hinges for a captive mounting situation (left). Pair two of the same side hinge for a lift off situation (right).

## 40MM LEFT-HAND OUTSIDE HINGE 40DHO-0411-001-01

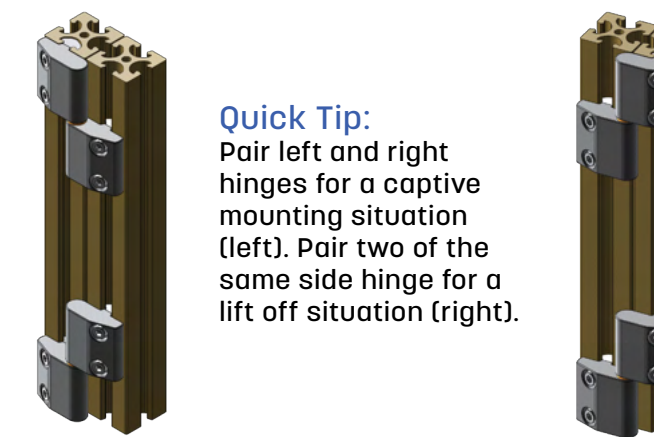
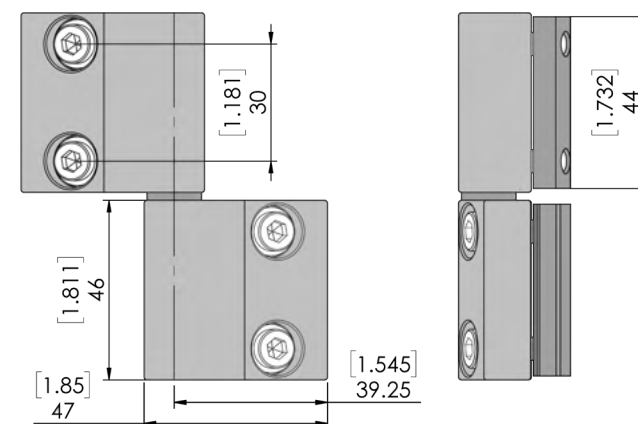
Material	6061-T6	
Finish	Type II, Class 2 Anodize, Black	
Parts Included in Kit	(1) 40mm LH Outside Hinge-Bushing Side [40DHO-0411-001-00] (1) 40mm LH Outside Hinge-Pin Side [40DHO-0411-002-00] (4) M6x1.0x20mm 12.9 Flanged SHCS [00HSW-3507-202-00] (2) M6 44mm 2-Hole Angle Nut [40HAN-3407-003-00]	
	<b>METRIC</b>	<b>SAE</b>
Weight	0.26 kg [259 g]	0.57 lbs [9.1 oz]



**Quick Tip:**  
Pair left and right hinges for a captive mounting situation (left). Pair two of the same side hinge for a lift off situation (right).

## 40MM RIGHT-HAND OUTSIDE HINGE 40DHO-0411-003-01

Material	6061-T6	
Finish	Type II, Class 2 Anodize, Black	
Parts Included in Kit	(1) 40mm RH Outside Hinge-Bushing Side [40DHO-0411-003-00] (1) 40mm RH Outside Hinge-Pin Side [40DHO-0411-004-00] (4) M6x1.0x20mm 12.9 Flanged SHCS [00HSW-3507-202-00] (2) M6 44mm 2-Hole Angle Nut [40HAN-3407-003-00]	
	<b>METRIC</b>	<b>SAE</b>
Weight	0.26 kg [259 g]	0.57 lbs [9.1 oz]



**Quick Tip:**  
Pair left and right hinges for a captive mounting situation (left). Pair two of the same side hinge for a lift off situation (right).

PROFILES

COMPONENTS

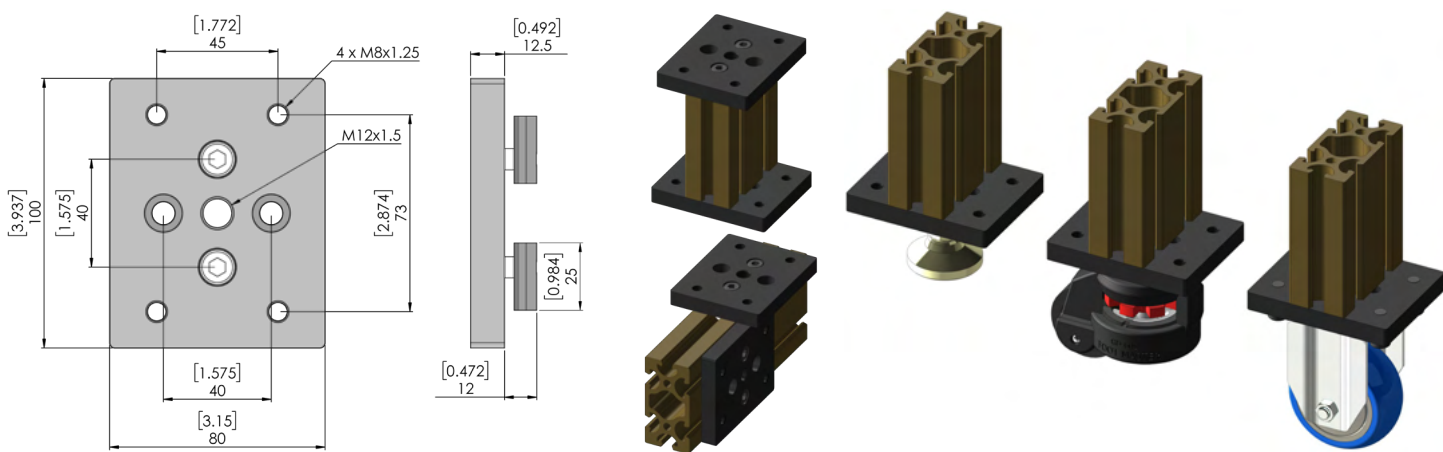
RIVET SYSTEM

DOORS AND FLOORS

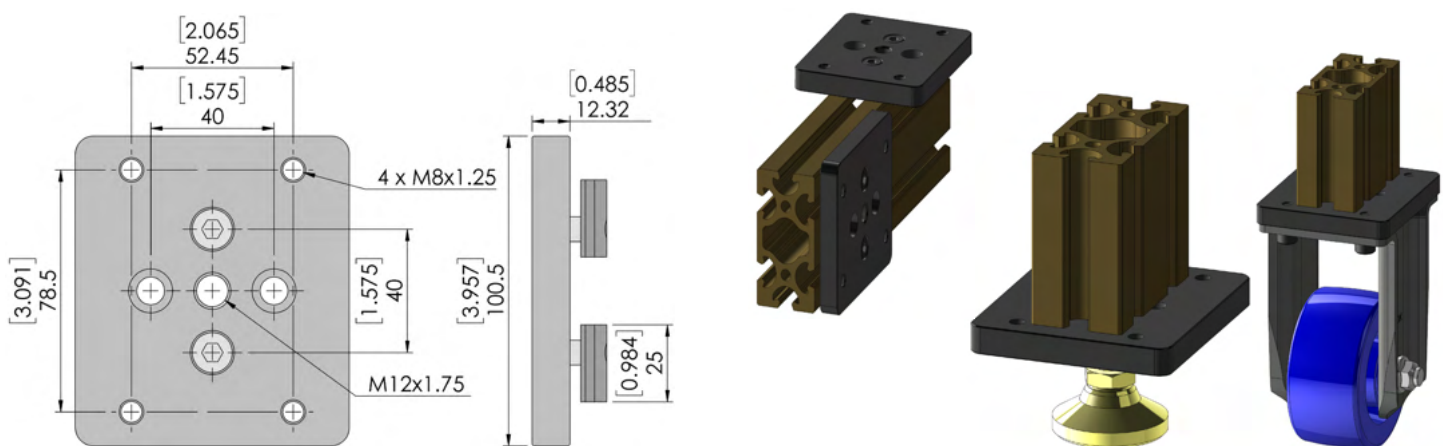
ACCESSORIES

HARDWARE

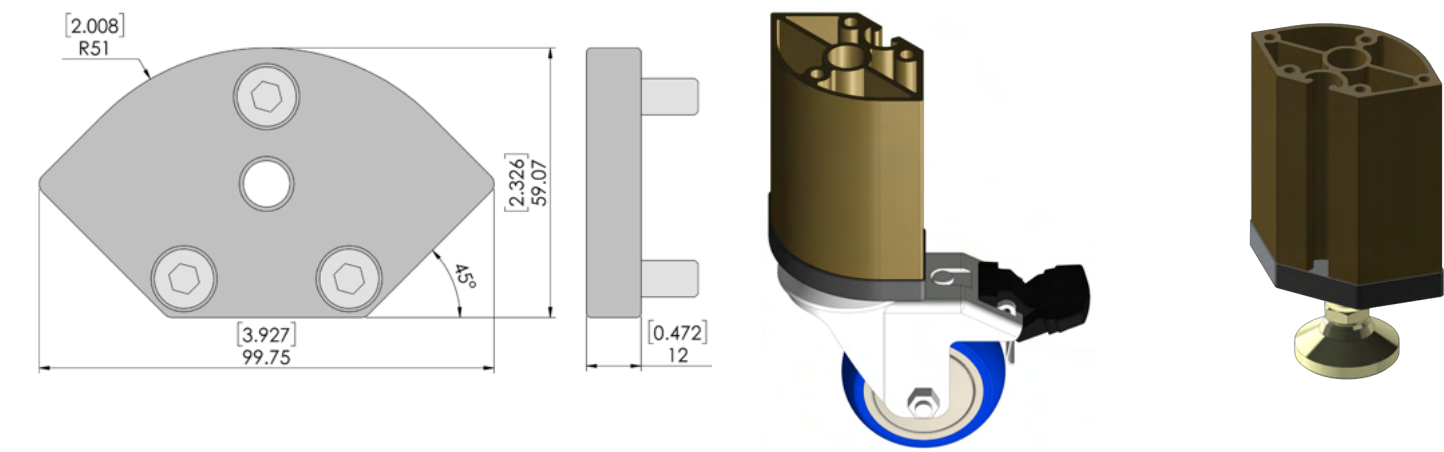
40X80MM M12 STEM/PLATE CASTER PROFILE MOUNT		40DCP-0401-001-02
Material	6061-T6	
Finish	Type II, Class 2 Anodize, Black	
Parts Included in Kit	(1) 40x80 M12 Stem/Plate Caster Mount [40DCP-0401-001-00] (2) M8x1.25x16mm 10.9 SHCS [00HSW-3401-002-00] (2) M8 25mm 1-Hole Std. Offset Nut [40HSN-3507-001-00]	
	<b>METRIC</b>	<b>SAE</b>
Weight	0.30 kg [306 g]	0.67 lbs [10.8 oz]



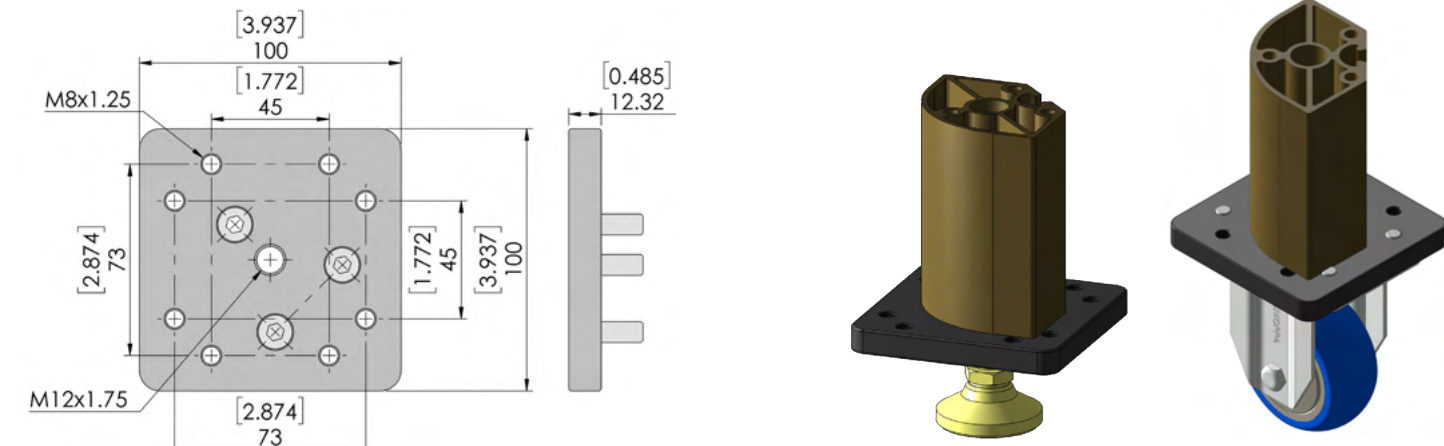
40X80 M12 STEM/HD PLATE CASTER PROFILE MOUNT		40DCP-0401-009-02
Material	6061-T6	
Finish	Type II, Class 2 Anodize, Black	
Parts Included in Kit	(1) 40x80 M12 Stem/HD Plate Caster Mount [40DCP-0401-009-00] (2) M8x1.25x16mm 10.9 SHCS [00HSW-3401-002-00] (2) M8 25mm 1-Hole Std. Offset Nut [40HSN-3507-001-00]	
	<b>METRIC</b>	<b>SAE</b>
Weight	0.34 kg [336 g]	0.74 lbs [11.8 oz]



70X70 M12 STEM CASTER MOUNT		40DCP-0401-005-01
Material	6061-T6	
Finish	Type II, Class 2 Anodize, Black	
Parts Included in Kit	(1) 70x70 M12 Stem Caster Mount [40DCP-0401-005-00] (3) M8x1.25x16mm 10.9 SHCS [00HSW-3401-002-00]	
	<b>METRIC</b>	<b>SAE</b>
Weight	0.13 kg [132 g]	0.29 lbs [4.7 oz]



70X70 M12 STEM/PLATE CASTER MOUNT		40DCP-0401-004-01
Material	6061-T6	
Finish	Type II, Class 2 Anodize, Black	
Parts Included in Kit	(1) 70x70mm M12 Stem/Plate Caster End Mount [40DCP-0401-004-00] (3) M8x1.25x16mm 10.9 SHCS [00HSW-3401-002-00]	
	<b>METRIC</b>	<b>SAE</b>
Weight	0.37 kg [371 g]	0.82 lbs [13.1 oz]



PROFILES

COMPONENTS

RIVET SYSTEM

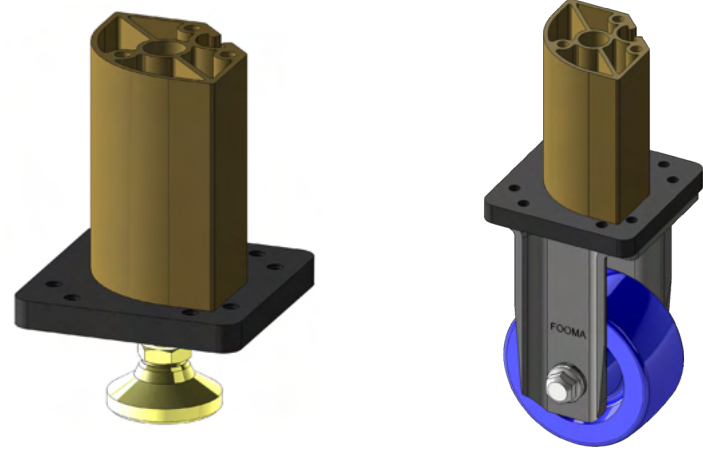
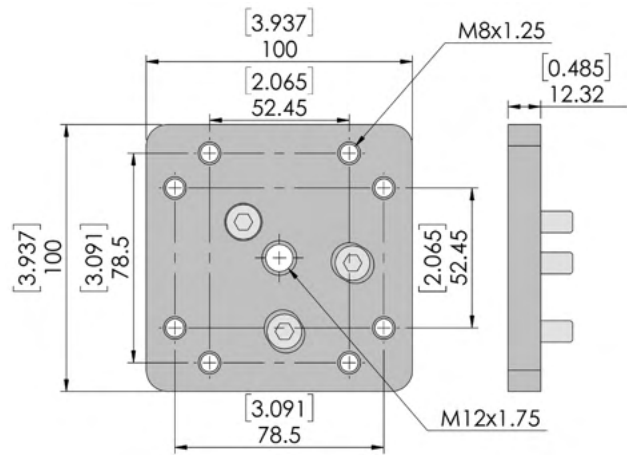
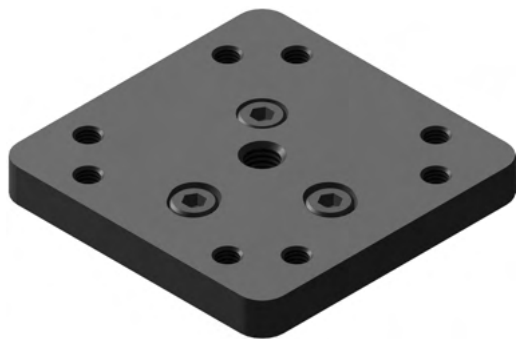
DOORS AND FLOORS

ACCESSORIES

HARDWARE

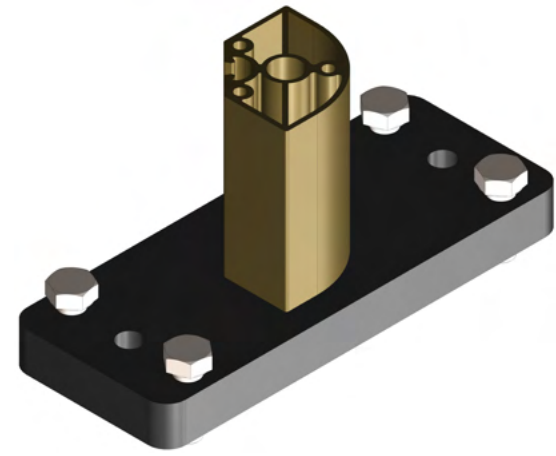
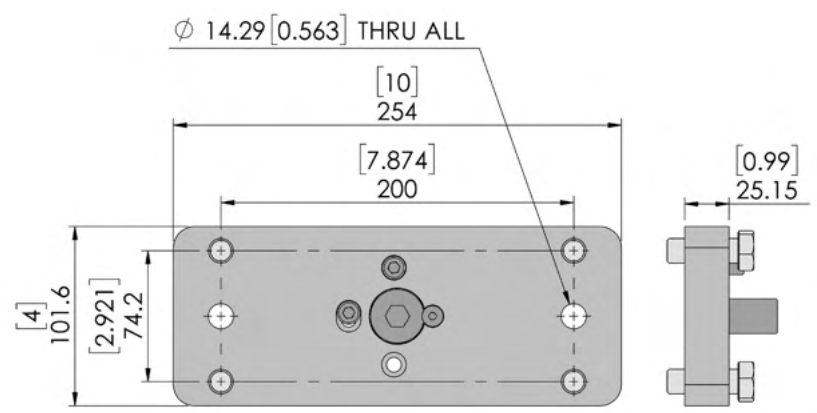
## 70X70 M12 STEM/HD PLATE CASTER END MOUNT 40DCP-0401-008-01

Material	6061-T6	
Finish	Type II, Class 2 Anodize, Black	
Parts Included in Kit	(1) 70x70 M12 Stem/HD Plate Caster End Mount [40DCP-0401-008-00] (3) M8x1.25x16mm 10.9 Black Oxide SHCS [00HSW-3401-002-00]	
	METRIC	SAE
Weight	0.35 kg [345 g]	0.76 lbs [12.2 oz]



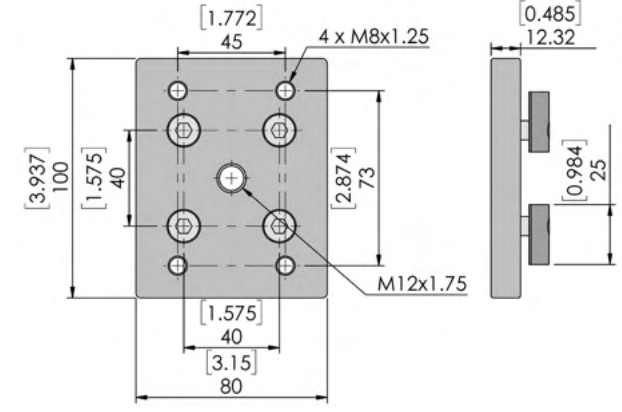
## 70X70 HD FLOOR ANCHOR PLATE 40DFA-0501-001-01

Material	6061-T6	
Finish	Type II, Class 2 Anodize, Black	
Parts Included in Kit	(1) 70x70 M12 Stem/HD Plate Caster End Mount [40DFA-0501-001-00] (1) M20x1.5x45mm 7075-T6 CDI Flat Head SHCS [00HSW-0401-800-00] (2) M8x1.25x30mm 12.9 Black Oxide SHCS [00HSW-3501-014-00] (1) M6x1.0x12mm 18-8 SS Flat Head SHCS-LH Thread [00HSW-3400-300-00]	
	METRIC	SAE
Weight	1.67 kg [1674 g]	3.69 lbs [59.0 oz]



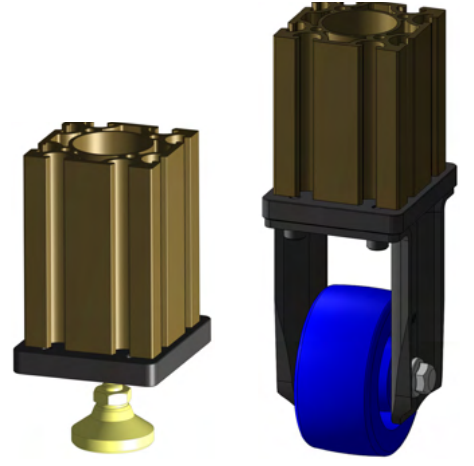
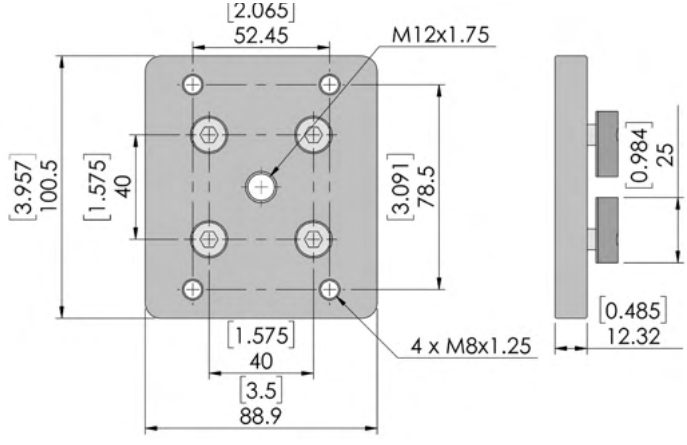
## 80X80 M12 STEM/PLATE CASTER PROFILE MOUNT 40DCP-0401-003-02

Material	6061-T6	
Finish	Type II, Class 2 Anodize, Black	
Parts Included in Kit	(1) 80x80 M12 Stem/Plate Caster Mount [40DCP-0401-003-00] (4) M8x1.25x16mm 10.9 Black Oxide SHCS [00HSW-3401-002-00] (4) M8 25mm 1-Hole Std. Offset Nut [40HSN-3507-001-00]	
	METRIC	SAE
Weight	0.37 kg [371 g]	0.82 lbs [13.2 oz]



## 80X80 M12 STEM/HD PLATE CASTER PROFILE MOUNT 40DCP-0401-010-02

Material	6061-T6	
Finish	Type II, Class 2 Anodize, Black	
Parts Included in Kit	(1) 80x80mm M12 Stem/HD Caster End Mount [40DCP-0401-010-00] (4) M8x1.25x16mm 10.9 Black Oxide SHCS [00HSW-3401-002-00] (4) M8 25mm 1-Hole Std. Offset Nut [40HSN-3507-001-00]	
	METRIC	SAE
Weight	0.40 kg [400 g]	0.88 lbs [14.1 oz]



PROFILES

COMPONENTS

RIVET SYSTEM

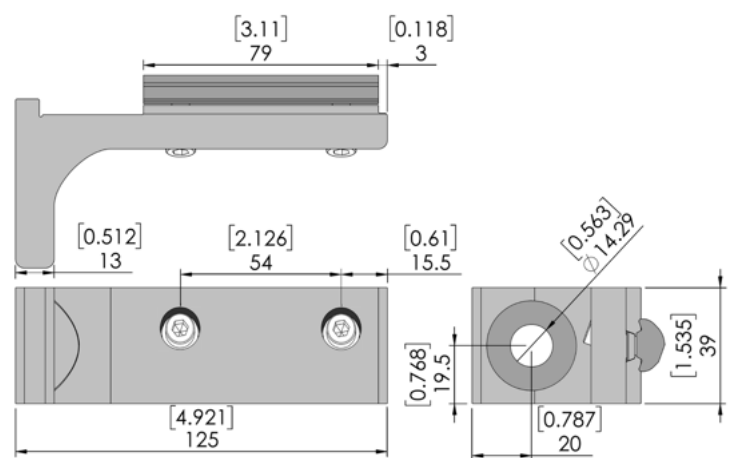
DOORS AND FLOORS

ACCESSORIES

HARDWARE

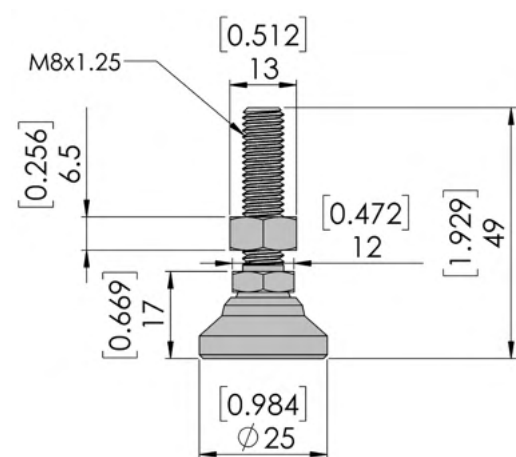
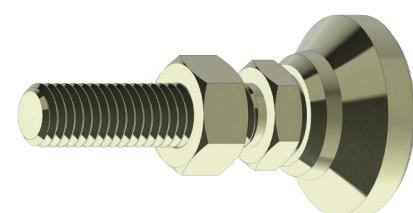
## 40MM FLOOR ANCHOR 40DFA-0401-001-01

Material	6061-T6	
Finish	Type II, Class 2 Anodize, Black	
Parts Included in Kit	(1) 40mm Floor Anchor [40DFA-0401-001-00] (1) M6 60mm 2-Hole Angle Nut [40HAN-3407-005-00] (2) M6x1.0x20mm 12.9 Flanged SHCS [00HS2-3507-202-00]	
	<b>METRIC</b>	<b>SAE</b>
Weight	0.30 kg [302 g]	0.67 lbs [10.7 oz]



## M8 STEM MOUNT LEVELING FOOT (750KG) 00DLF-3500-001-00

Material	Steel	
Finish	Yellow Zinc	
Parts Included	(1) M8 Stem Mount Leveling Foot [00DLF-3500-001-00]	
	<b>METRIC</b>	<b>SAE</b>
Weight	0.045 kg [45 g]	0.10 lbs [1.6 oz]

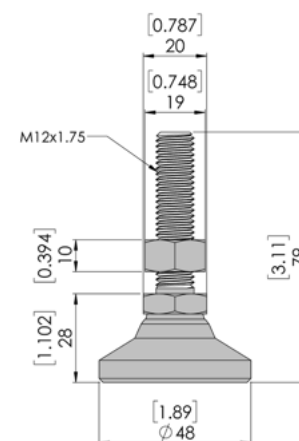
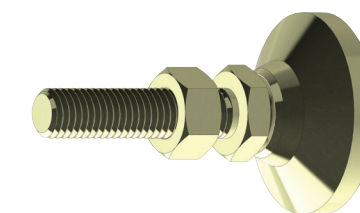


**Quick Tip:** Most Controlled Dynamics profile cavities are designed to accept an M8x1.25 tap without predrilling. Simply tap the end of the profile and this leveling foot is ready to mount.

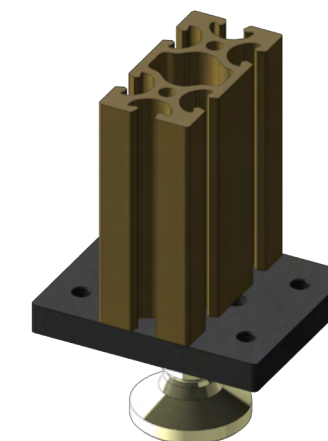


## M12 STEM MOUNT LEVELING FOOT (2000 KG) 00DLF-3600-001-00

Material	Steel	
Finish	Yellow Zinc	
Parts Included	(1) M12 Stem Mount Leveling Foot [00DLF-3600-001-00]	
	<b>METRIC</b>	<b>SAE</b>
Weight	0.22 kg [218 g]	0.48 lbs [7.7 oz]

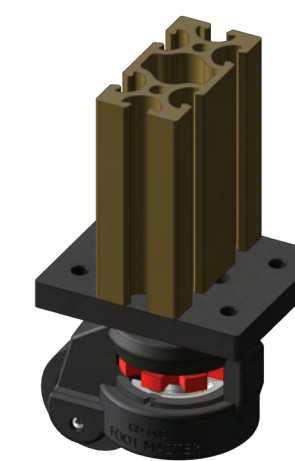
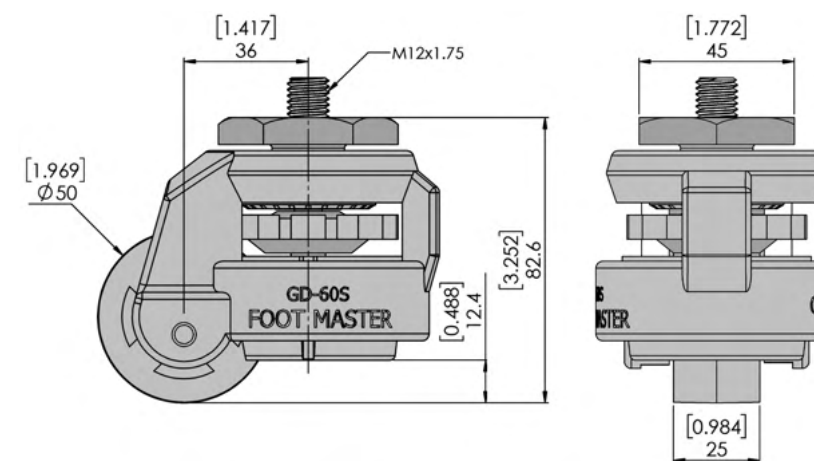


**Quick Tip:** The M12 Leveling foot requires a stem mount plate for mounting. See pages 50-53.



## M12 STEM MOUNT LEVELING CASTER (250 KG) 00DLA-3500-004-00

Material	Cast Aluminum Body, Nylon Wheel	
Finish	Black	
Parts Included	(1) M12 Stem Mount Leveling Caster [00DLA-3500-004-00]	
	<b>METRIC</b>	<b>SAE</b>
Weight	0.61 kg [612 g]	1.35 lbs [21.6 oz]



PROFILES

COMPONENTS

RIVET SYSTEM

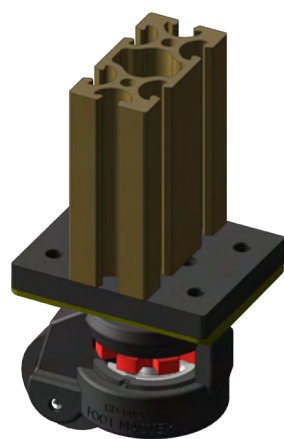
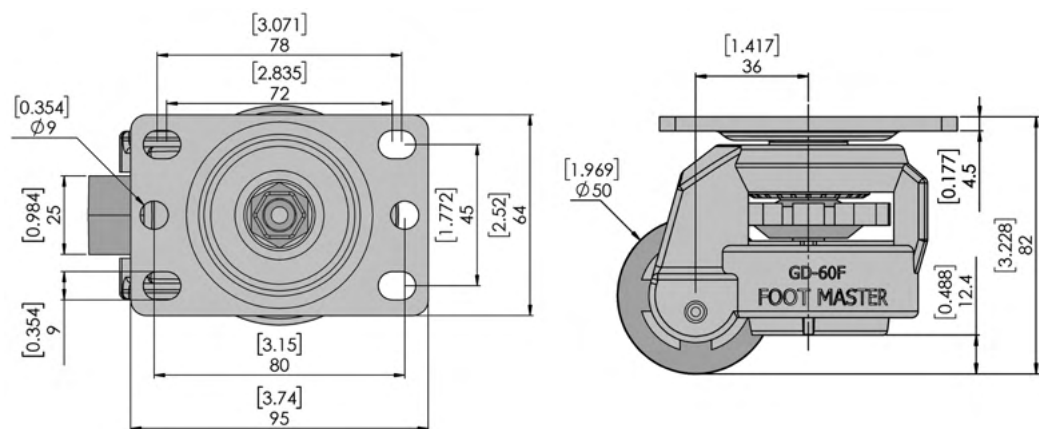
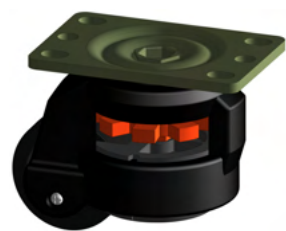
DOORS AND FLOORS

ACCESSORIES

HARDWARE

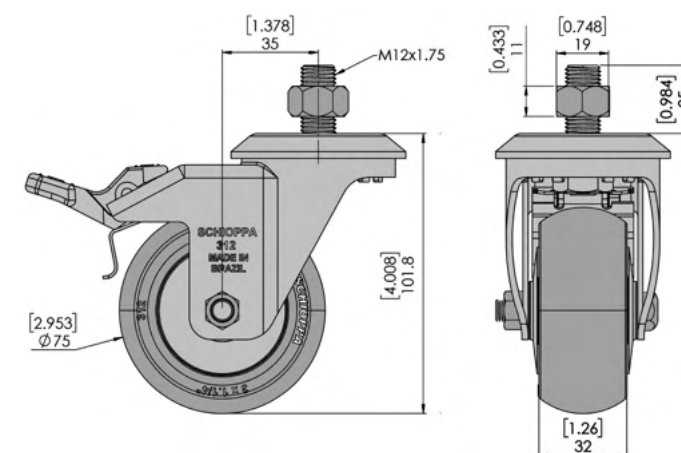
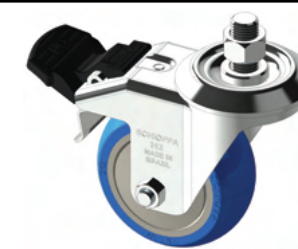
## PLATE MOUNT SWIVEL LEVELING CASTER (250 KG) 00DLA-3500-003-00

Material	Cast Aluminum Body, Nylon Wheel	
Finish	Black	
Parts Included	(1) Plate Mount Swivel Leveling Caster [00DLA-3500-003-00]	
	METRIC	SAE
Weight	0.68 kg [680 g]	1.50 lbs [24.0 oz]

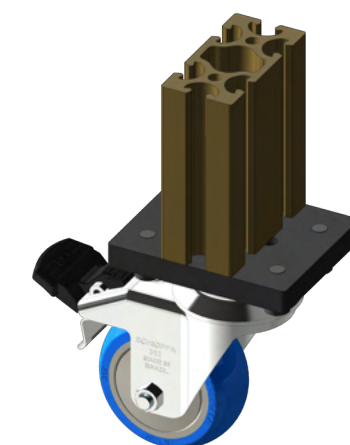


## M12 STEM MOUNT Ø75MM CASTER W/TOTAL BRAKE (70 KG) 00DCA-3300-001-00

Material	Steel Body, Thermoplastic Wheel	
Finish	Clear Zinc	
Parts Included	(1) M12 Stem Mount Ø75mm Caster w/Total Brake (70 kg) [00DCA-3300-001-00]	
	METRIC	SAE
Weight	0.52 kg [521 g]	1.14 lbs [18.4 oz]

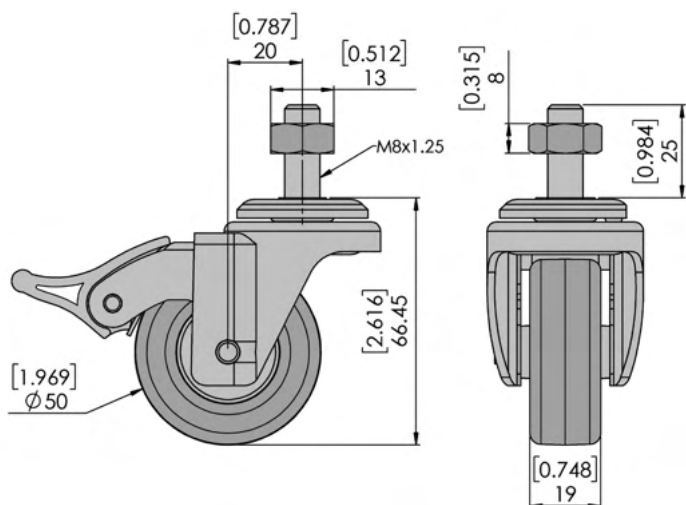


**Quick Tip:**  
Caster plates are available to adapt casters to a variety of profiles. See pages 50-53.

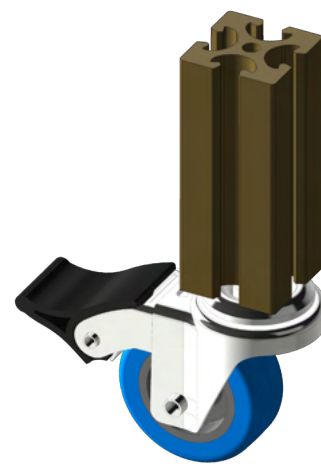


## M8 STEM MOUNT Ø50MM CASTER W/TOTAL BRAKE (40 KG) 00DCA-3200-001-00

Material	Steel Body, Thermoplastic Wheel	
Finish	Clear Zinc	
Parts Included	(1) M8 Stem Mount Caster [00DCA-3200-001-00]	
	METRIC	SAE
Weight	0.49 kg [499 g]	1.10 lbs [17.6 oz]

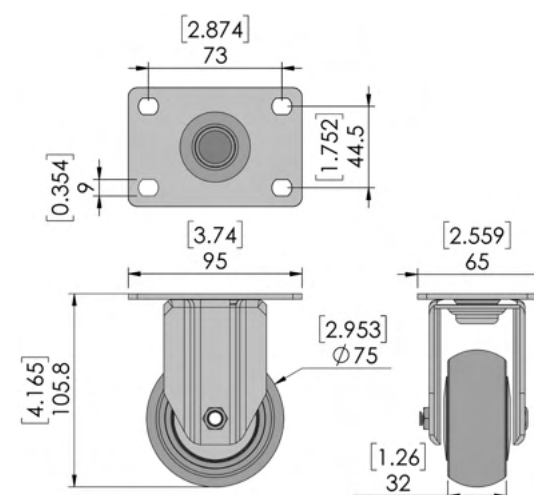


**Quick Tip:**  
Most Controlled Dynamics profile cavities are designed to accept an M8x1.25 tap without predrilling. Simply tap the end of the profile and this caster is ready to mount.

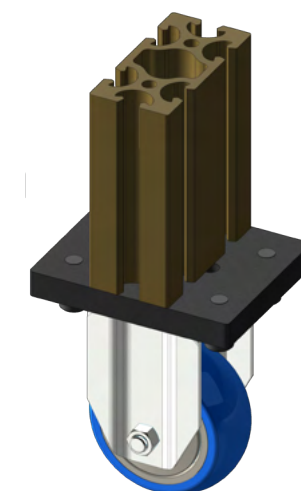


## PLATE MOUNT Ø75MM FIXED CASTER (70 KG) 00DCA-3300-002-00

Material	Steel Body, Thermoplastic Wheel	
Finish	Clear Zinc	
Parts Included	(1) Plate Mount Ø75mm Fixed Caster [00DCA-3300-002-00]	
	METRIC	SAE
Weight	0.49 kg [499 g]	1.10 lbs [17.6 oz]



**Quick Tip:**  
Caster plates are available to adapt casters to a variety of profiles. See pages 50-53.



PROFILES

COMPONENTS

RIVET SYSTEM

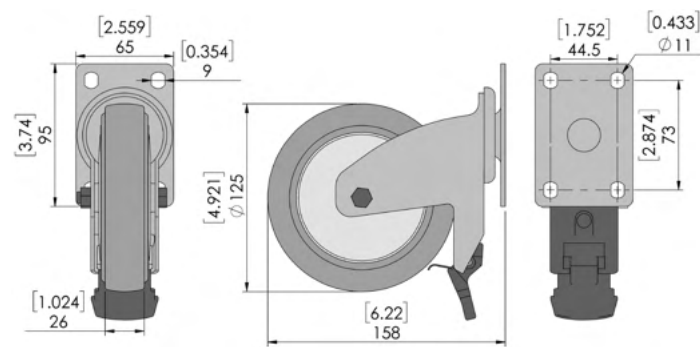
DOORS AND FLOORS

ACCESSORIES

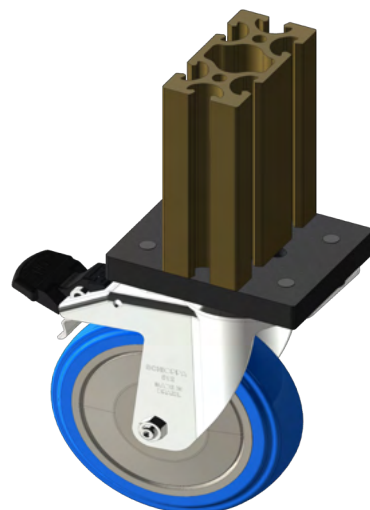
HARDWARE

## PLATE MOUNT Ø125MM SWIVEL CASTER W/TOTAL BRAKE (125 KG) 00DCA-3400-002-00

Material	Steel Body, Thermoplastic Wheel	
Finish	Clear Zinc	
Parts Included	(1) Plate Mount ø125mm Swivel Caster [00DCA-3400-002-00]	
	METRIC	SAE
Weight	0.98 kg [975 g]	2.15 lbs [34.4 oz]

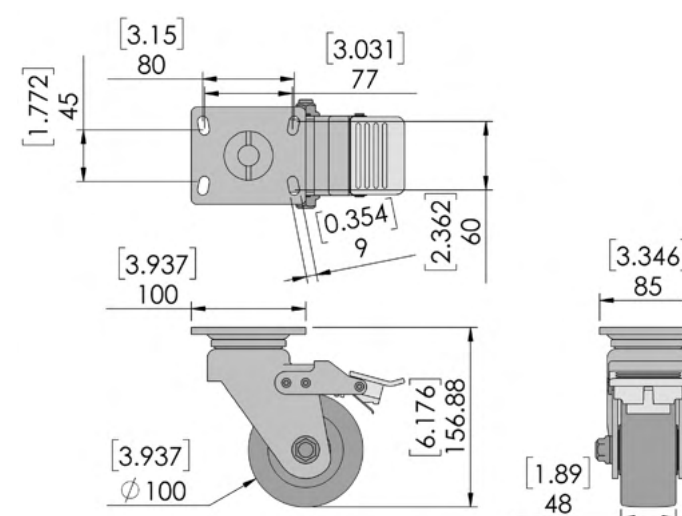


**Quick Tip:**  
Caster plates are available to adapt casters to a variety of profiles. See pages 50-53.

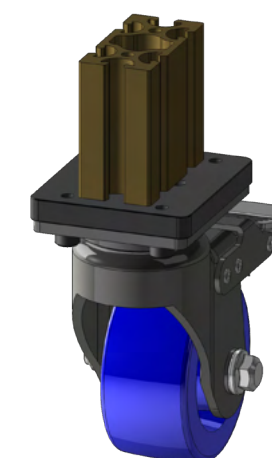


## PLATE MOUNT Ø100MM SWIVEL CASTER W/BRAKE (400KG) 00DCA-3500-002-00

Material	Steel Body, Cast Polyurethane Wheel	
Finish	Black	
Parts Included	(1) Plate Mount ø100mm Swivel Caster [00DCA-3500-002-00]	
	METRIC	SAE
Weight	2.29 kg [2290 g]	5.05lbs [80.8 oz]

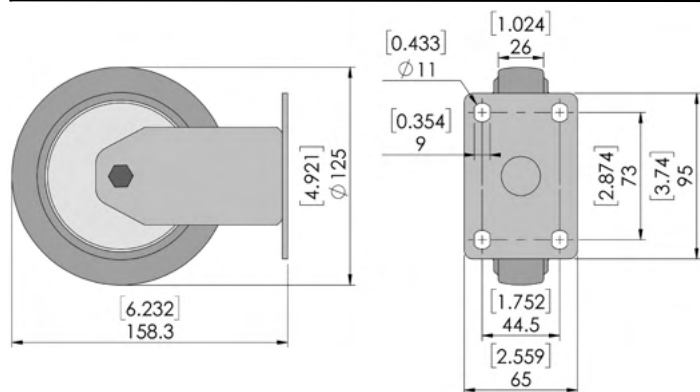


**Quick Tip:**  
Caster plates are available to adapt casters to a variety of profiles. See pages 50-53.

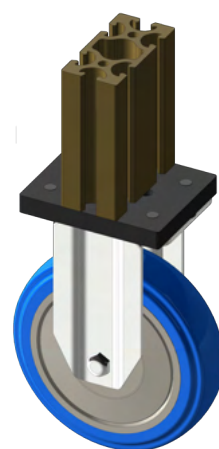


## PLATE MOUNT Ø125MM FIXED CASTER (125 KG) 00DCA-3400-001-00

Material	Steel Body, Thermoplastic Wheel	
Finish	Clear Zinc	
Parts Included	(1) Plate Mount ø125mm Fixed Caster [00DCA-3400-001-00]	
	METRIC	SAE
Weight	0.77 kg [771 g]	1.70 lbs [27.2 oz]

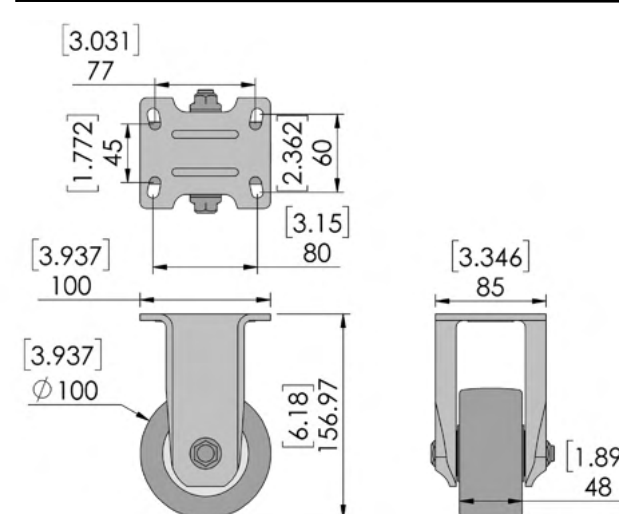


**Quick Tip:**  
Caster plates are available to adapt casters to a variety of profiles. See pages 50-53.



## PLATE MOUNT Ø100MM FIXED CASTER (400KG) 00DCA-3500-001-00

Material	Steel Body, Cast Polyurethane Wheel	
Finish	Black	
Parts Included	(1) Plate Mount ø100mm Swivel Caster [00DCA-3500-001-00]	
	METRIC	SAE
Weight	1.47 kg [1470 g]	3.25 lbs [52 oz]



**Quick Tip:**  
Caster plates are available to adapt casters to a variety of profiles. See pages 50-53.



PROFILES

COMPONENTS

RIVET SYSTEM

DOORS AND FLOORS

ACCESSORIES

HARDWARE

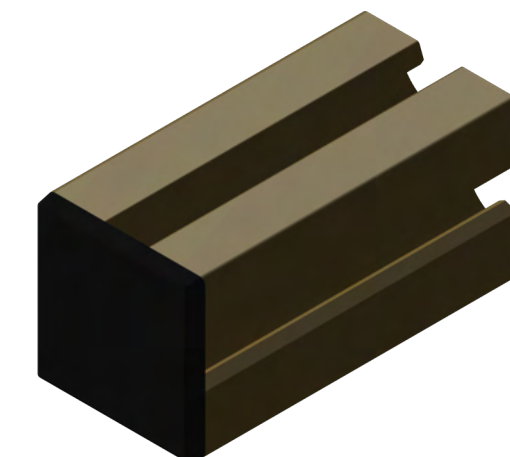
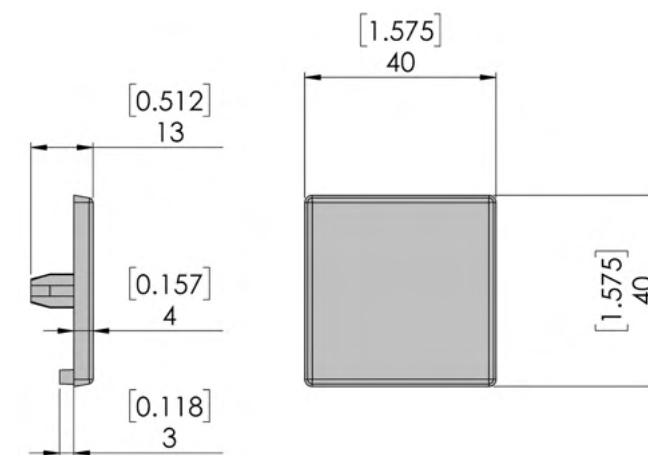
# ACCESSORIES

Whether looking to add strength, safety, functionality, or aesthetic appeal to your Controlled Dynamics project, look no further. Controlled Dynamics offers accessories such as end caps, rubber bumpers, and profile strengthening members needed to give that finishing touch.

	DESCRIPTION	PART #	PAGE
END CAPS	40x40 Black End Cap-10Pk	40AEC-1401-001-01	61
	40x80 Black End Cap-10Pk	40AEC-1401-002-01	61
SUPPORTS	3-Way Support Profile	40A04-0012-040	62
	40mm Support Profile	40A04-0012-050	62
	80mm Support Profile	40A04-0022-010	63
WIRE MANAGEMENT	40x25 Black ABS Wire Way	40ASC-0411-001-00	63
	40-6 Snap-In PVC Trough With Cover	40ASC-1411-003-01	64
	40x25 Black ABS Flange	40ASC-1411-002-00	64

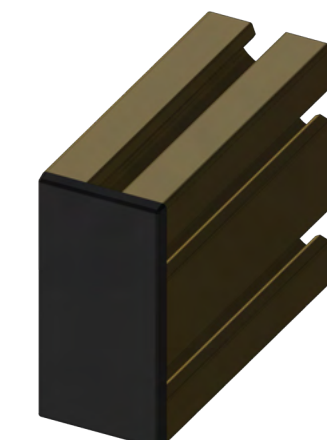
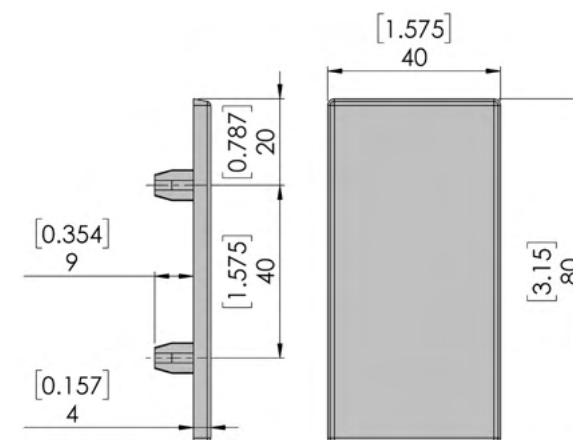
## 40X40 BLACK END CAP-10 PK 40AEC-1401-001-01

Material	Zylar	
Finish	Matte Black	
	METRIC	SAE
Package Weight (Per 10 Pack)	0.06 kg [63 grams]	0.14 lbs [2.2 ounces]
Description/Use	Keeps dirt and grime out of the end of a 40x40mm profile and gives your project a professional finished look. Simply press or tap onto profile end. Removable.	



## 40X80 BLACK END CAP-10 PK 40AEC-1401-002-01

Material	Zylar	
Finish	Matte Black	
	METRIC	SAE
Package Weight (Per 10 Pack)	0.12 kg [122 grams]	0.27 lbs [4.3 ounces]
Description/Use	Keeps dirt and grime out of the end of a 40x80mm profile and gives your project a professional finished look. Simply press or tap onto profile end. Removable.	



PROFILES

COMPONENTS

RIVET SYSTEM

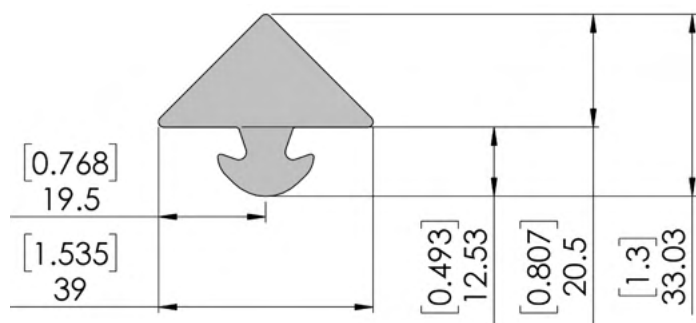
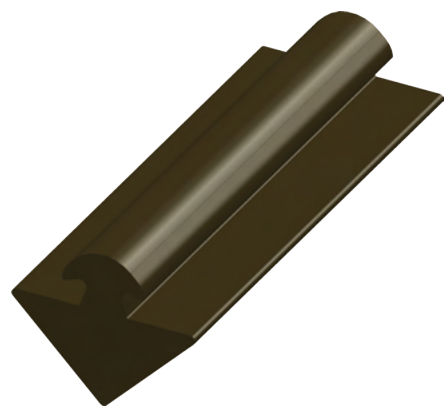
DOORS AND FLOORS

ACCESSORIES

HARDWARE

## 3-WAY SUPPORT PROFILE 40A04-0012-040

Material	6005-T5	
Finish	Type II, Architectural Class I Anodize	
Available Color(s)	Light Bronze	
	METRIC	SAE
Weight Per Length	1.542 kg/m	1.040 lb/ft
Available Length(s):	40A04-0012-040 3683 mm	40A04-0012-04C 25-3683 mm
Cross-Sectional Area	5.711 cm <sup>2</sup>	0.885 in <sup>2</sup>
Moment of Inertia	I <sub>x</sub> =3.070 cm <sup>4</sup> I <sub>y</sub> =3.286 cm <sup>4</sup>	I <sub>x</sub> =0.074 in <sup>4</sup> I <sub>y</sub> =0.079 in <sup>4</sup>

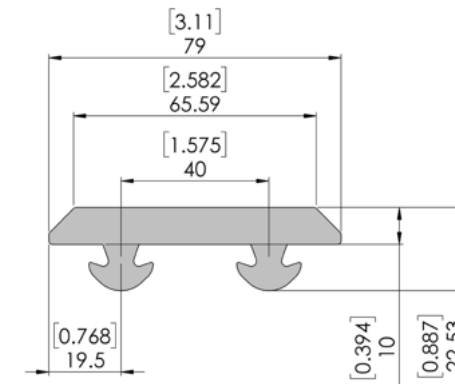
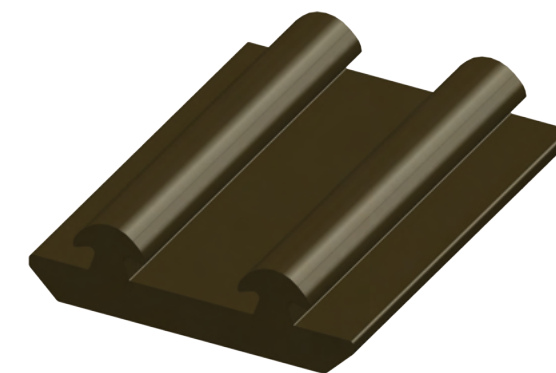


**Quick Tip:** Utilize this profile as a rigid support between bracketry. It can also be machined to length for a precision locating situation.



## 80MM SUPPORT PROFILE 40A04-0022-010

Material	6005-T5	
Finish	Type II, Architectural Class I Anodize	
Available Color(s)	Light Bronze	
	METRIC	SAE
Weight Per Length	2.736 kg/m	1.839 lb/ft
Available Length(s):	40A04-0022-010 3683 mm	40A04-0022-01C 25-3683 mm
Cross-Sectional Area	10.133 cm <sup>2</sup>	1.571 in <sup>2</sup>
Moment of Inertia	I <sub>x</sub> =3.428 cm <sup>4</sup> I <sub>y</sub> =45.530 cm <sup>4</sup>	I <sub>x</sub> =0.082 in <sup>4</sup> I <sub>y</sub> =1.094 in <sup>4</sup>

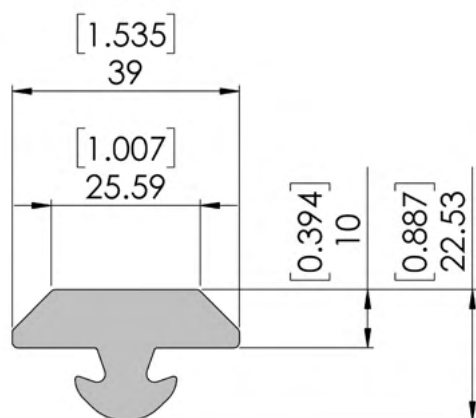


**Quick Tip:** Utilize this profile as a rigid support between bracketry. It can also be machined to length for a precision locating situation.



## 40MM SUPPORT PROFILE 40A04-0012-050

Material	6005-T5	
Finish	Type II, Architectural Class I Anodize	
Available Color(s)	Light Bronze	
	METRIC	SAE
Weight Per Length	1.283 kg/m	0.862 lb/ft
Available Length(s):	40A04-0012-050 3683 mm	40A04-0012-05C 25-3683 mm
Cross-Sectional Area	4.752 cm <sup>2</sup>	0.736 in <sup>2</sup>
Moment of Inertia	I <sub>x</sub> =1.608 cm <sup>4</sup> I <sub>y</sub> =3.661 cm <sup>4</sup>	I <sub>x</sub> =0.039 in <sup>4</sup> I <sub>y</sub> =0.0880 in <sup>4</sup>

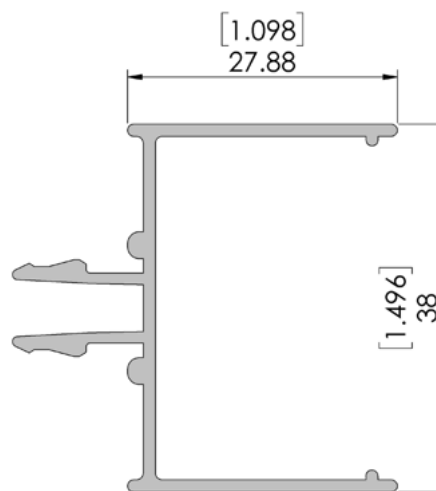
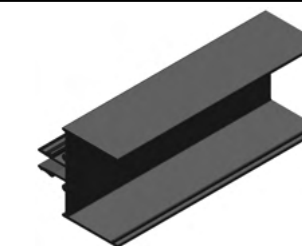


**Quick Tip:** Utilize this profile as a rigid support between bracketry. It can also be machined to length for a precision locating situation.

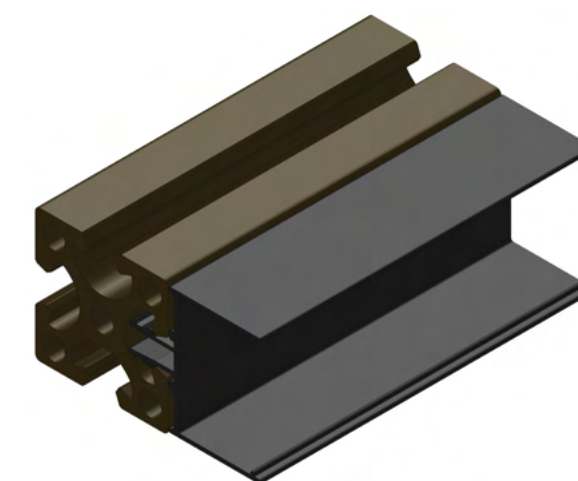


## 40X25 BLACK ABS WIRE WAY 40ASC-0411-001-00

Material	Acrylonitrile Butadiene Styrene	
Finish	Black	
Parts Included in Kit	(1) 40x25 Black ABS Wire Way (2438mm) [40ASC-0411-001-00]	
	METRIC	SAE
Weight	0.57 kg [568 g]	1.25 lbs [20 oz]



**Quick Tip:** Utilize this wireway when no cover is needed. If a cover is needed for your application, please see page 64.



PROFILES

COMPONENTS

RIVET SYSTEM

DOORS AND FLOORS

ACCESSORIES

HARDWARE



# HARDWARE

The hardware offerings by Controlled Dynamics enable us to be a true one-stop shop. From common screws and nuts, to our patented angle nuts using the ANGLE-LOCK® fastening system, we have what you need to finish your structural framing project.

	DESCRIPTION	PART #	PAGE
STRAIGHT HOLE	M6x1.0 20mm Bright Zinc 1-Hole Std Offset Nut-10Pk	40HSN-3407-001-01	67
	M6x1.0 39mm Bright Zinc 2-Hole Std Nut-10Pk	40HSN-3407-002-01	67
	M8x1.25 25mm Bright Zinc 1-Hole Std Offset Nut-10Pk	40HSN-3507-001-01	67
ANGLED HOLE	M6x1.0 25mm Bright Zinc 1-Hole Angle Nut-10Pk	40HAN-3407-001-01	68
	M6x1.0 38mm Bright Zinc 2-Hole Angle Nut-10Pk	40HAN-3407-007-01	68
	M6x1.0 44mm Bright Zinc 2-Hole Angle Nut-10Pk	40HAN-3407-003-01	68
	M6x1.0 60mm Bright Zinc 2-Hole Angle Nut-10Pk	40HAN-3407-005-01	69
	M6x1.0 79mm Bright Zinc 2-Hole Angle Nut-10Pk	40HAN-3407-004-01	69
	M6x1.0 100mm Bright Zinc 3-Hole Angle Nut-10Pk	40HAN-3407-002-01	69
DROP-IN	M6x1.0 Bright Zinc Drop-In Nut-10Pk	40HDI-3407-002-01	70
	M6x1.0x25mm Bright Zinc Drop-In T-Stud-10Pk	40HDI-3407-001-01	70
	M8x1.25x25mm Bright Zinc Drop-In T-Stud-10Pk	40HDI-3507-001-01	70
	3-Way Corner Bracket Washer Plate	40H3W-3401-001-0X	71

M6X1.0 20MM 1-HOLE OFFSET NUT-10PK		40HSN-3407-001-01
Material	1018 Steel	
Finish	Clear Zinc	
	<b>METRIC</b>	<b>SAE</b>
Package Weight (Per 10 Pack)	0.15 kg [152 g]	0.34 lbs [5.4 oz]
Description/Use	This standard duty straight nut can be used to fasten 3rd party items directly to any of our 40-6 series profiles using a 6mm fastener.	

M6X1.0 39MM 2-HOLE NUT-10PK		40HSN-3407-002-01
Material	1018 Steel	
Finish	Clear Zinc	
	<b>METRIC</b>	<b>SAE</b>
Package Weight (Per 10 Pack)	0.312 kg [312 g]	0.688 lbs [11 oz]
Description/Use	Primarily used for the double threaded insert on our 40-6 series profiles, but can also serve as a way to attach 3rd party items.	

M8X1.25 25MM 1-HOLE NUT-10PK		40HSN-3507-001-01
Material	1018 Steel	
Finish	Clear Zinc	
Available Color(s)	None	
	<b>METRIC</b>	<b>SAE</b>
Package Weight (Per 10 Pack)	0.19 kg [193 g]	0.43 lbs [6.8 oz]
Description/Use	This heavy duty straight nut allows you to attach 3rd party items to our 40-6 series profiles using an 8mm fastener.	

PROFILES

COMPONENTS

RIVET SYSTEM

DOORS AND FLOORS

ACCESSORIES

HARDWARE

## M6X1.0 25MM 1-HOLE ANGLE NUT-10PK 40HAN-3407-001-01

Material	1018 Steel		
Finish	Clear Zinc		
	<b>METRIC</b>	<b>SAE</b>	
Package Weight (Per 10 Pack)	0.221 kg [221 g]	0.49 lbs [7.8 oz]	
Description/Use	40mm SD Corner Bracket Kit 40-6 Threaded Insert w/20° Nut Kit		

## M6X1.0 60MM 2-HOLE ANGLE NUT-10PK 40HAN-3407-005-01

Material	1018 Steel		
Finish	Bright Zinc Plating		
	<b>METRIC</b>	<b>SAE</b>	
Package Weight (Per 10 Pack)	0.54 kg [536 g]	1.18 lbs [18.9 oz]	
Description/Use	40mm 3-Way Corner Bracket Kit 80mm 3-Way Corner Bracket Kit 40mm Foot Anchor Kit		

## M6X1.0 38MM 2-HOLE ANGLE NUT-10PK 40HAN-3407-007-01

Material	1018 Steel		
Finish	Clear Zinc		
	<b>METRIC</b>	<b>SAE</b>	
Package Weight (Per 10 Pack)	0.33 kg [330 g]	0.73 lbs [11.6 oz]	
Description/Use	40mm 3-Way Corner Bracket Kit		

## M6X1.0 79MM 2-HOLE ANGLE NUT-10PK 40HAN-3407-004-01

Material	1018 Steel		
Finish	Clear Zinc		
	<b>METRIC</b>	<b>SAE</b>	
Package Weight (Per 10 Pack)	0.72 kg [715 g]	1.58 lbs [25.2 oz]	
Description/Use	40mm HD Corner Bracket Kit		

## M6X1.0 44MM 2-HOLE ANGLE NUT-10PK 40HAN-3407-003-01

Material	1018 Steel		
Finish	Clear Zinc		
	<b>METRIC</b>	<b>SAE</b>	
Package Weight (Per 10 Pack)	0.39 kg [386 g]	0.85 lbs [13.6 oz]	
Description/Use	40mm LH Outside Hinge Kit 40mm RH Outside Hinge Kit		

## M6X1.0 100MM 3-HOLE ANGLE NUT-10PK 40HAN-3407-002-01

Material	1018 Steel		
Finish	Clear Zinc		
	<b>METRIC</b>	<b>SAE</b>	
Package Weight (Per 10 Pack)	0.90 kg [898 g]	1.98 lbs [31.7 oz]	
Description/Use	40mm 90° 3x3 Hole Joining Plate Kit		

PROFILES

COMPONENTS

RIVET SYSTEM

DOORS AND FLOORS

ACCESSORIES

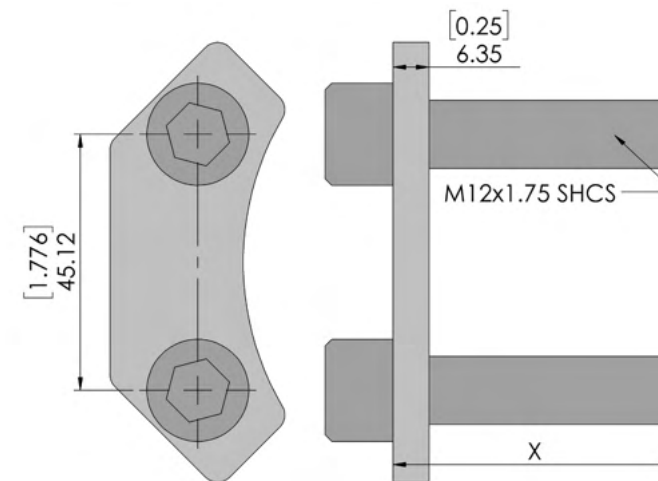
HARDWARE

M6X1.0 DROP-IN NUT-10PK		40HDI-3407-002-01
Material	1018 Steel	
Finish	Clear Zinc	
	<b>METRIC</b>	<b>SAE</b>
Package Weight (Per 10 Pack)	0.47 kg [474 g]	1.05 lbs [16.7 oz]
Description/Use	This item can be used to fasten 3rd party items directly to any of our 40-6 series profiles using a 6mm fastener.	

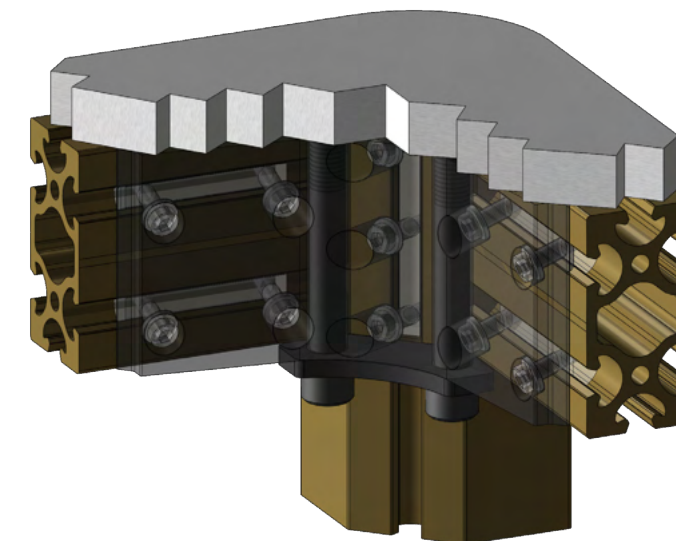
M6X1.0X25MM DROP-IN T-STUD-10PK		40HDI-3407-001-01
Material	1018 Steel	
Finish	Clear Zinc	
	<b>METRIC</b>	<b>SAE</b>
Package Weight (Per 10 Pack)	1.14 kg [1140 g]	2.5 lbs [40.2 oz]
Description/Use	This item can be used to fasten 3rd party items directly to any of our 40-6 series profiles using a 6mm fastener.	

M8X1.25X25MM DROP-IN T-STUD-10PK		40HDI-3507-001-01
Material	1018 Steel	
Finish	Clear Zinc	
	<b>METRIC</b>	<b>SAE</b>
Package Weight (Per 10 Pack)	1.16 kg [1157 g]	2.55 lbs [40.8 oz]
Description/Use	This item can be used to fasten 3rd party items directly to any of our 40-6 series profiles using an 8mm fastener.	

3-WAY CORNER BRACKET WASHER PLATES			40H3W-3401-001-0X
Material	1020 Steel		
Finish	Black Zinc		
	<b>Screw Length (mm)</b>	<b>METRIC Kg [g]</b>	<b>SAE Lbs [oz]</b>
Available Size(s):	40H3W-3401-001-00 NA	0.07 [72]	0.16 [2.5]
	40H3W-3401-001-01 50mm	0.20 [196]	0.43 [6.9]
	40H3W-3401-001-02 55mm	0.20 [205]	0.45 [7.2]
	40H3W-3401-001-03 65mm	0.22 [222]	0.49 [7.8]
	40H3W-3401-001-04 70mm	0.23 [231]	0.51 [8.1]
	40H3W-3401-001-05 90mm	0.27 [266]	0.59 [9.4]
	40H3W-3401-001-06 100mm	0.28 [283]	0.62 [9.9]
	40H3W-3401-001-07 110mm	0.30 [300]	0.66 [10.6]



**Quick Tip:** Securely mount plates through the 40mm and 80mm 3-way corner brackets (pg 18 and 23) using these washer plates. Holes are sized to accept a M12 screw.



PROFILES

COMPONENTS

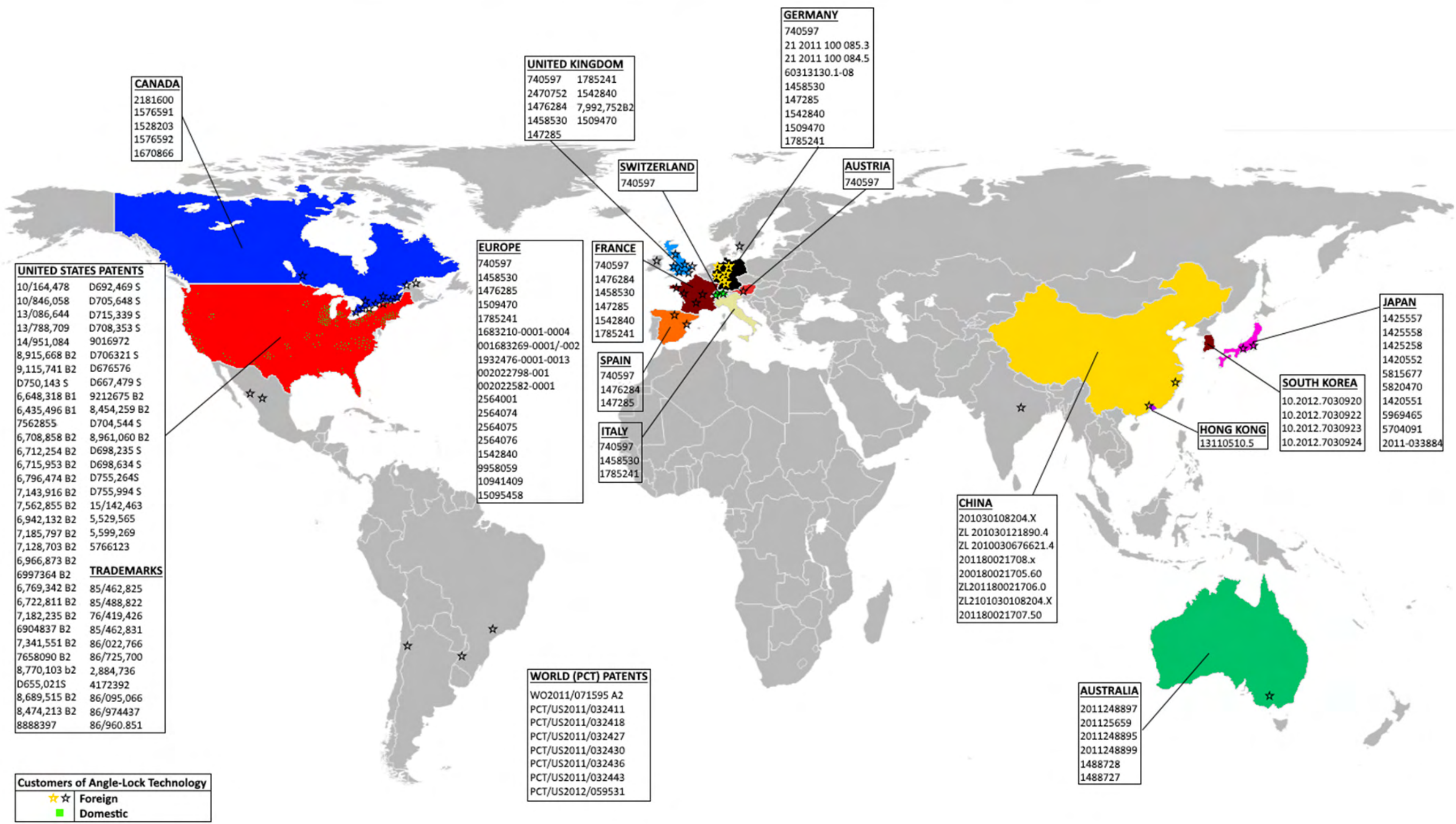
RIVET SYSTEM

DOORS AND FLOORS

ACCESSORIES

HARDWARE

## PATENTS AND TRADEMARKS HELD BY CDI HOLDINGS, INC



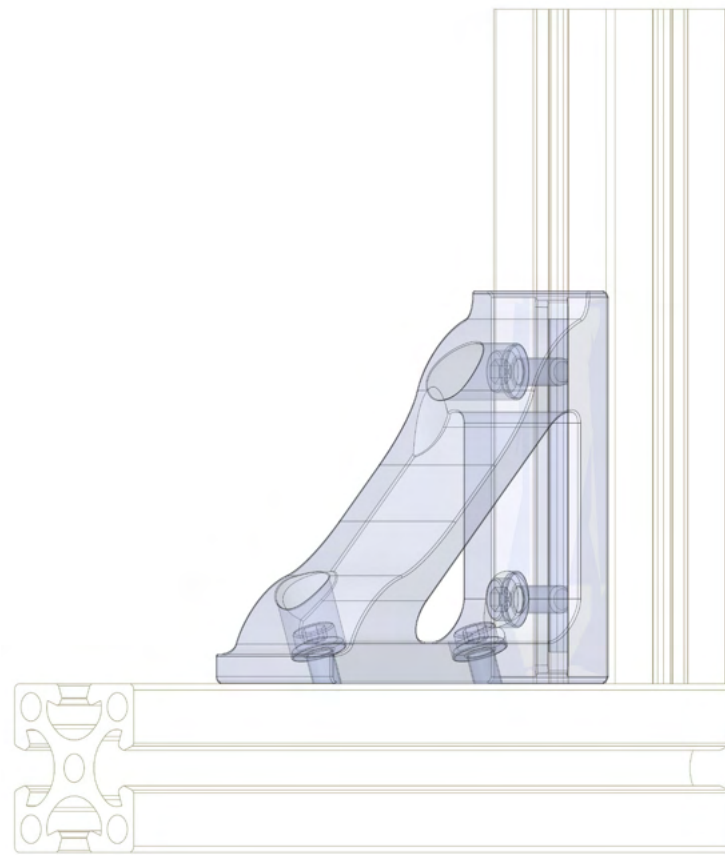
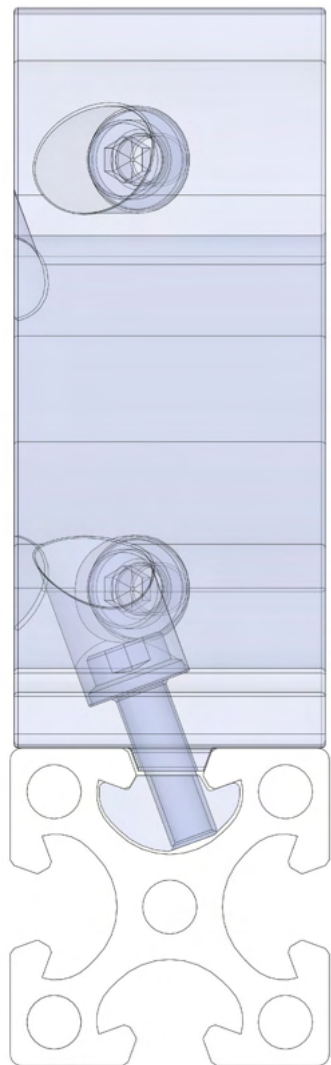
- PROFILES
- COMPONENTS
- RIVET SYSTEM
- DOORS AND FLOORS
- ACCESSORIES
- HARDWARE





# CONTROLLED DYNAMICS

the strength of  
a simple *IDEA*®



Structural Aluminum Featuring *ANGLE-LOCK* Technology  
•262.421.8840 fax •262.421.8841 •sales@controldynamics.com

2021  
PRODUCT CATALOG [www.controldynamics.com](http://www.controldynamics.com)