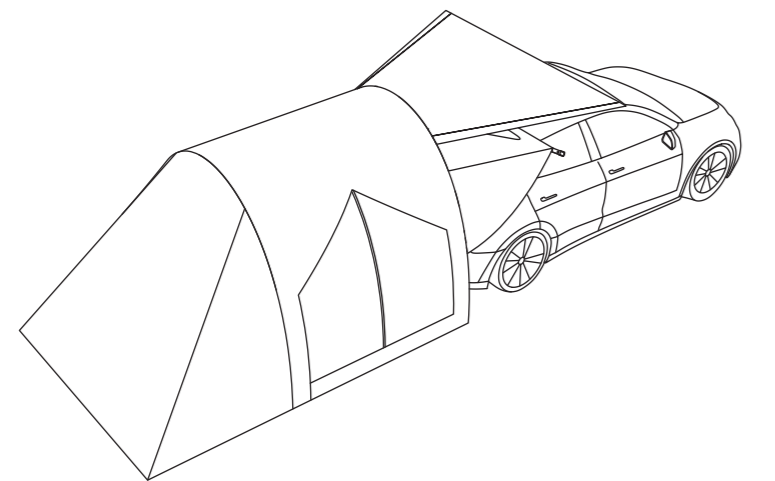


QZS09-H Tent PRODUCT MANUAL



Executive Standard: GB/T 27735-2022

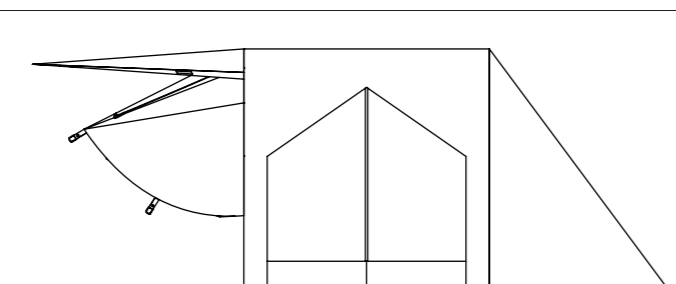
TIPS

- The tent as a production line product that will produce slight coating scratches and mesh hooking during circulation, which are common.
- A small area of light leakage will be caused because of uneven coating of the particular and inevitability of the black gray glue and sliver coating craft when the sun shines on the tent, but does not affect use.

CAUTIONS

- Keep your tent away from fire and heat.
- Please enter the tent barefoot.
- Please avoid spiked items damaging the tent when assembling.
- Thoroughly clean and dry the tent after each or continuous use.
- Avoid sharp and spike objects when packing up the tent.
- Avoid longtime direct sunlight.

PRODUCT PARAMETER



Model: QZS09-H Exterior Tent material: 210D slivered oxford cloth
Size: 11.97ft*8.2ft*6.72ft Water-repellent index of outer tent: PU 3000mm

01

PACKAGE LIST

Storage Bag	Tent	Tent peg
Canopy Pole	Wind Cable	Air Pump

ASSEMBLY STEPS

- Flatten the tent, set up the four tent pegs at the four corner anchor points at the bottom of the tent, and install the pump.
- Close the valve and start to pump the tent.
- Complete inflate all the air columns with air pump.
- Insert the rest tent pegs into the ground, and pull the wind cable until it tight and solid.

02

PROCEDURE OF TRUNK CONNECTION ASSEMBLY

- Drive the car close to the tent connection port, open the connection port and cover it to the trunk.

- Cover the trunk and slowly open the trunk to the proper position, fasten the wind cables to the wheels.

- Open the trunk to proper position, adjust the juncture between the tent and the trunk. Attach the velcro on ① to the felt in the trunk; fasten the ② pull rope to the rubber ring of the trunk, and fasten the rubber ring with a buckle, and then tighten the rope and seal the connection; Pull the zipper at ③ behind the hydraulic bar at the rear of the car; attach the outside velcro at ④ to the outside cloth position.

03

MAINTENANCE INSTRUCTION

1. Clean the dirt and other natural attachments and keep the poles, tent pegs and other accessories clean after each use.
2. DO NOT clean the tent with a washer and dryer. Please use non-alkaline detergent or water to rinse and clean the tent. Please make sure the tent is air-dry after cleaning. Then store it in a dry and cool place. Please DO NOT fold the tent by regular crease to avoid multiple folds in the same furrow, causing the fabric to harden and crack.
3. Please enter the tent barefoot to avoid spiked items and dirt of the sole damaging the tent and becoming water leakage.
4. Avoid cooking and smoking in the tent. The open flame and high temperature are greatly harmful to the tent. Please place with aluminum film or other heat insulating materials under the fireplace in the tent and open the windows during the bad weather.
5. You can use the cap lamps, flashlights and vapour lamps as a lighting item at night, instead of open flame without protection such as a candle.

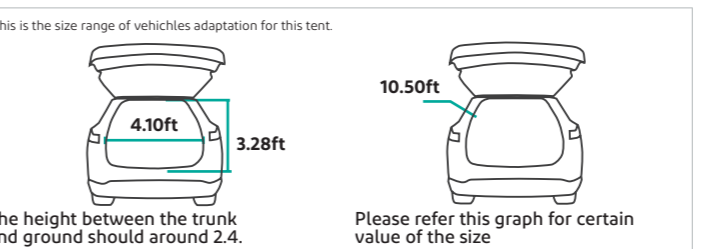
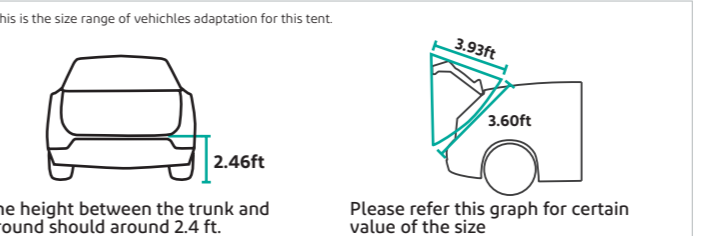
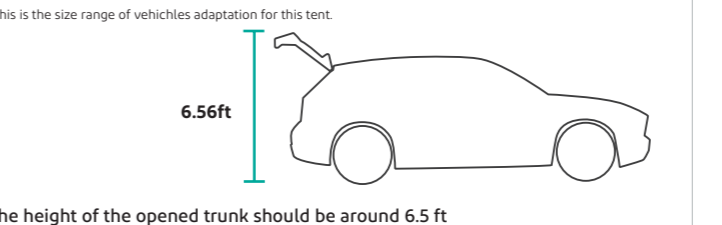
04

ADAPTABILITY INSTRUCTION

• Adaptability Instruction

The tent connection port is suitable for most SUVs or "Sportback SUVs" in the market. Cars need to meet the following terms to match the adaptability of the tent. The realistic situation may vary depending on the vehicle difference. For any further questions, don't hesitate to contact us via email.

• Fit for regular SUVs

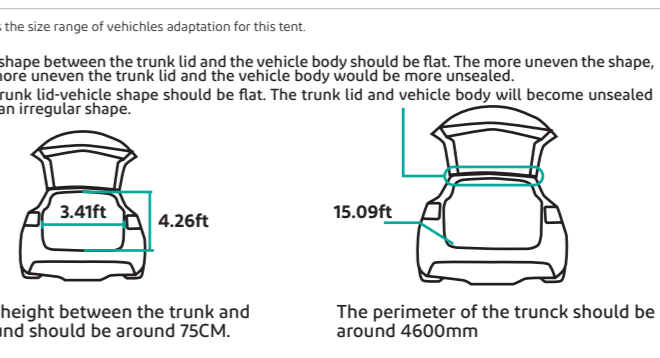
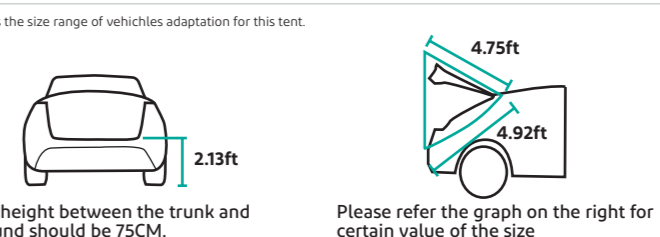
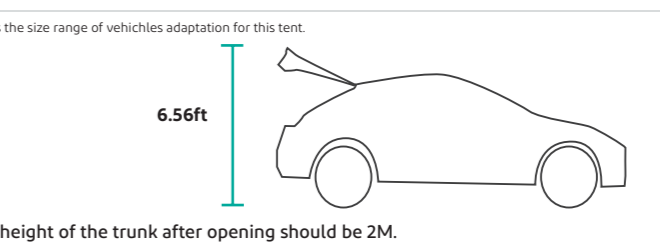


05

SUITABILITY INSTRUCTION

• Fit for "sportback SUV model"

Such as: Tesla Y, Tesla X



06

METHOD OF CONVERTING TO REGULAR TENT

- This tent can also use as a regular tent (not connected to the trunk) by replacing the original door screen.

- Unzip the zipper on location 1, and remove the original door screen. Replace the upgraded door screen on location 1.
- Zip the zipper to connect the upgraded door screen to the tent.
- And now you have a regular tent you can use without connecting to your car trunk.
- You can also open the upgraded door screen, set up the tarp poles and tight up the wind ropes to turn your tent into an open space.

07