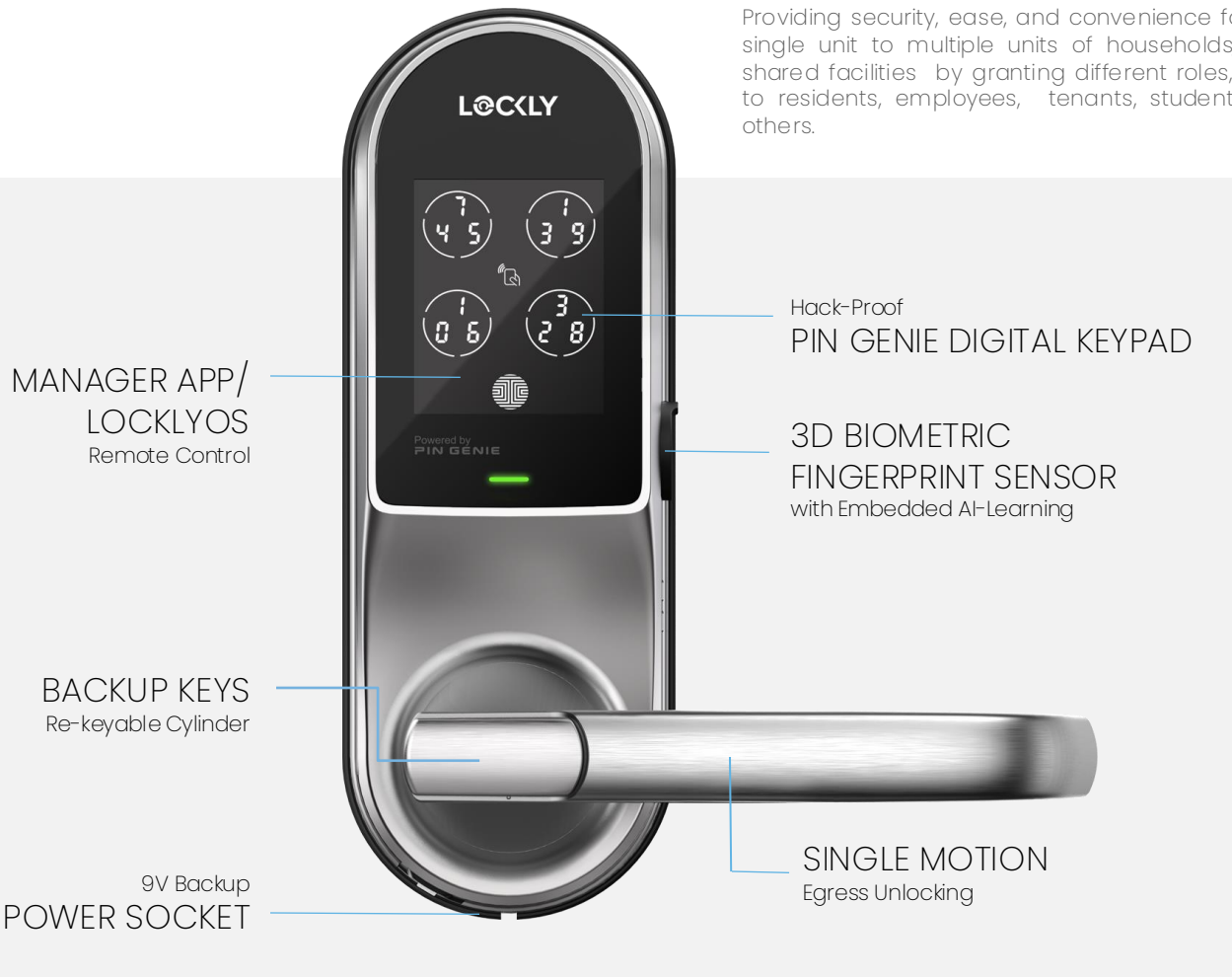


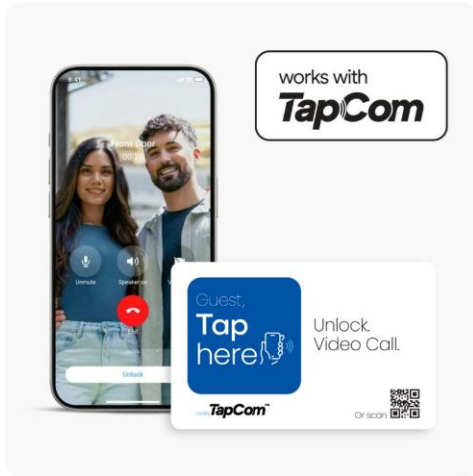
# LOCKLY GUARD DUO INTERCONNECTED PGD679DW

INTERCONNECTED  
DEADBOLT + LATCHBOLT  
DUAL LOCKING TECHNOLOGY  
999 RFID CARD ACCESS



Providing security, ease, and convenience for you to manage a single unit to multiple units of households, offices, schools, or shared facilities by granting different roles, and access control to residents, employees, tenants, students or members and others.





TAPCOM

See, talk and unlock with HD video from anywhere, anytime.



YOUR PROPERTY

Perfect for residential, multi-family, offices, storage rooms and much more.



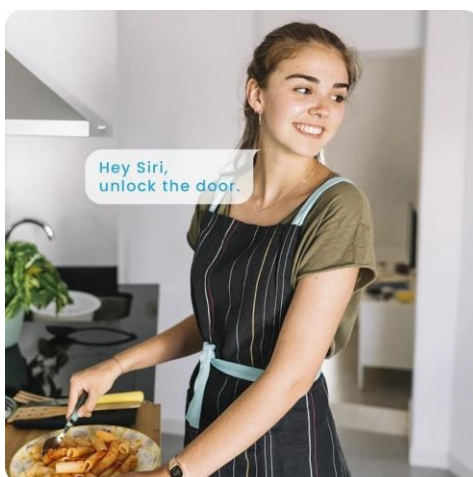
DUAL LOCKING TECHNOLOGY™

Lock or unlock interconnect deadbolt & latch with a single motion.



MIFARE RFID ACCESS

Revokable cards or Fob keys for quick and secured access.



VOICE CONTROL

Control your lock with Amazon Alexa and Google Assistant.



AIR TRANSFER

Quickly copy user profiles and credentials between compatible Lockly devices.

MULTIPLE WAYS TO CONTROL



3D BIOMETRIC FINGERPRINT

Super fast 0.2 sec recognition.



EKEYS AND EBADGES

Setup unit owners and residents to unlock, no matter it is permanent, temporary, or one-time.



ACCESS CODES

6-8 digits PIN code with patented PIN Genie keypad to protect from password guessing.



OFFLINE ACCESS CODE™<sup>1</sup>

Grant one-time or recurring access even if you are not connected to the internet



APP CONTROL

Multiple ways to control and manage your property from anywhere, anytime.



PROGRAMMABLE AUTO-LOCKING

Never worry about forgetting to lock your door.



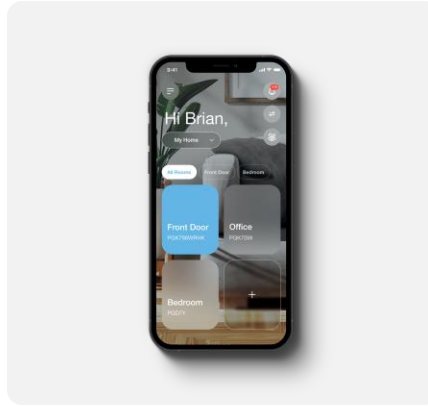
PHYSICAL KEYS

Rekey capable.



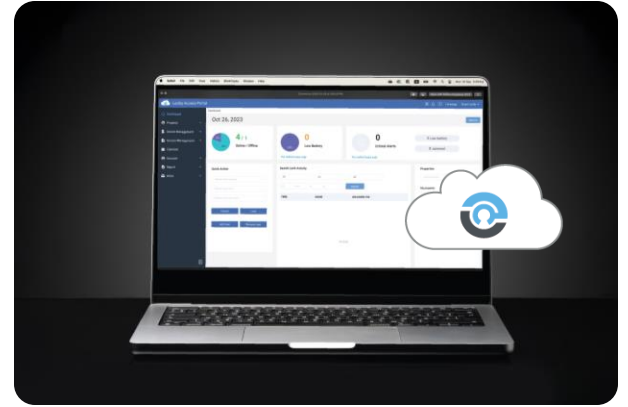
### REAL-TIME NOTIFICATIONS

Get notified when someone has arrived, verify their identity with live view and unlock with app.



### MANAGER & RESIDENT APP CONTROL

Our dedicated apps for property managers and residents transform buildings into better workplaces and more enjoyable places to live.



### SEE THE BIG PICTURE WITH LOCKLYOS

With LocklyOS, easily manage every lock on your property. Control unit owners, grant guest access, receive alerts, conduct audits, and manage remote installations—all in one platform. Streamline operations, improve efficiency, and enhance resident satisfaction.

## INSTALLATION AND RESOURCES



### LOCKLY CHANNEL PARTNERS

We work with certified channel partners to support your project from installation, provisioning to providing end-user training materials.



Installation Guide, User Manual and Door Drilling Guide

## ORDERING INFORMATION

#### 1. Edition

**PGD679D** Guard Duo Interconnected

#### 4. Cover Plate

Included  
4" C2C or 5.5 C2C

#### 8. Unifying Faceplate

Sold separately / Optional  
**PGA018** (5.5")  
**PGA019** (4")  
**PGA019s** (4") mortise retrofit

#### 2. Wi-Fi Hub

Included  
**PGH230** Secure Link (supports Matter)

\*Some features require connection to Secure Link Wi-Fi Hub

#### 5. Interconnected Gear Plate

Included

#### 9. RFID / Fob Key

**PGA803WH** Tag key (3pcs included)  
**PGA803P** Fob key (10pcs)  
**PGA803L** 1" RFID sticker (10pcs)  
**PGA803LL** 2 ½" x 1 ½" RFID sticker (10pcs)  
**PGA803S** RFID card (10pcs)

#### 3. Finish\*

SN Satin Nickel  
MB Matte Black  
AB Aged Bronze

#### 7. Wireless Door Sensor

Sold separately / Optional  
**PGA388**

\*Must be used with PGH230 or PGH260.

#### 10. Credential Manager Encoder

Sold separately / Optional  
**PGA349**

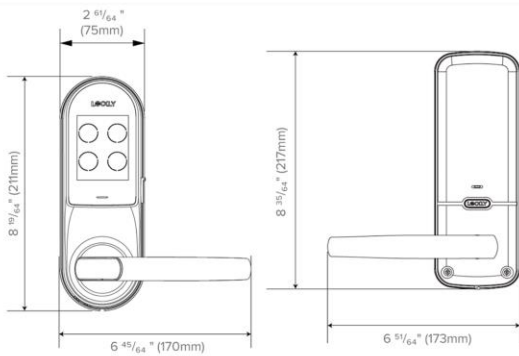
Only selected versions are supported

\*Custom Colors: Available with a minimum order quantity (MOQ) and may require an extended lead time. Please consult our sales representative for further details.

## SPECIFICATIONS

## GUARD DUO INTERCONNECTED 679D

Bluetooth and Wi-Fi Connected



### ELECTRONIC SPECIFICATIONS

Access Codes	Stores up to 49 <sup>OS</sup> PIN access codes
RFID/Fob key Access	Stores up to 999 <sup>OS</sup> MIFARE RFID/fob
Fingerprint Access	Stores up to 99 biometric fingerprints
Remotely Shareable	Unlimited <sup>OS</sup> Offline Access Codes/eBadges
Temporary Access	Unlimited <sup>OS</sup> Accessible via Lockly Manager app or LocklyOS™
Access Logs	
Visual and Audible	Exterior: LED (Red, Green), Interior: LED (Red), Configurable Lock/Unlock Audio Indicator
Communication Standards	BLE 4.2, Wi-Fi 2.4GHz, RF433.92MHz, Advanced Encryption Standard (AES), 256-bit
Gateway Communication Range (networked solution)	Up to 98' (30m) BLE, Up to 197' (60m) Wi-Fi, Up to 164' (50m) RF433.92MHz, Unobstructed open environment
Command Response	Responds to command from host in less than 3 seconds when linked to Lockly Wi-Fi Hub, 0.2S on Fingerprint Recognition
Connectivity Options	Lockly Manager app, LocklyOS, Matter Controller, All in real-time communication
Available Signal Status	Battery Status via App, Open/Close Door Status, Bluetooth Connectivity Indicator, Sensor LED (Red/Green)
Battery Life	AA Alkaline Batteries x4 (Included), Up to 1 year (Offline mode), Up to 10 months (Regular use with App & sensor), 9V backup power socket
Waterproofing	IP54
Operating Temperature	-4°F to 151°F (-20°C to 66°C)
Operating Humidity	0 - 95% non-condensing

### CREDENTIAL SPECIFICATIONS

Credential Technologies	RFID Card (13.56 MHz), BLE (2.4 GHz), Wi-Fi (2.4GHz), Capacitive Sensor, Patented PIN Genie Keypad
Standards	ISO 14443
Maximum Read Range	RFID: up to 0.79', BLE: up to 98' (30m), Wi-Fi: up to 197' (60m)
RFID/Fob Compatibility	MIFARE® S50
Mobile Compatibility	Lockly Manager app BLE 4.2, LocklyOS, Matter

### MECHANICAL SPECIFICATIONS

Reversible Handing	Yes
Materials	Premium Zinc Alloy chassis and escutcheon
Door Thickness	1-3/8" - 2" (35mm - 50mm)
Backset	Adjustable 2-3/8" or 2-3/4" (60mm or 70mm), 1" x 2-1/4" round corner faceplate
Strike	Deadbolt 1-1/8" x 2-3/4", round corner, Latchbolt 1-1/8" x 2-3/4", round corner, Dust box included
Bore	2-1/8" (54mm) diameter bore hole, 1" (25mm) diameter latch hole
Physical Keys	SCI 5-Pin, Re-Keying compatible, 2pcs included

### COMPLIANCE & WARRANTY

Compliance	RoHS, FCC, ADA Compliant, FBC, built to ANSI Grade 2 <sup>3</sup> , ETL Listed for fire-rated door hardware applications – tested to UL 10B, UL 10C, NFPA 252, and CAN/ULC-S104 for up to 45 minutes positive pressure exposure. Control Number: 5026048
Warranty	Lifetime 24/7 Technical Support, 2 -year Limited Mechanical & Finish, 2 -year Limited Electronics

<sup>OS</sup> Requires LocklyOS subscription

<sup>1</sup> Only the latchbolt auto locks, lift handle to lock deadbolt.

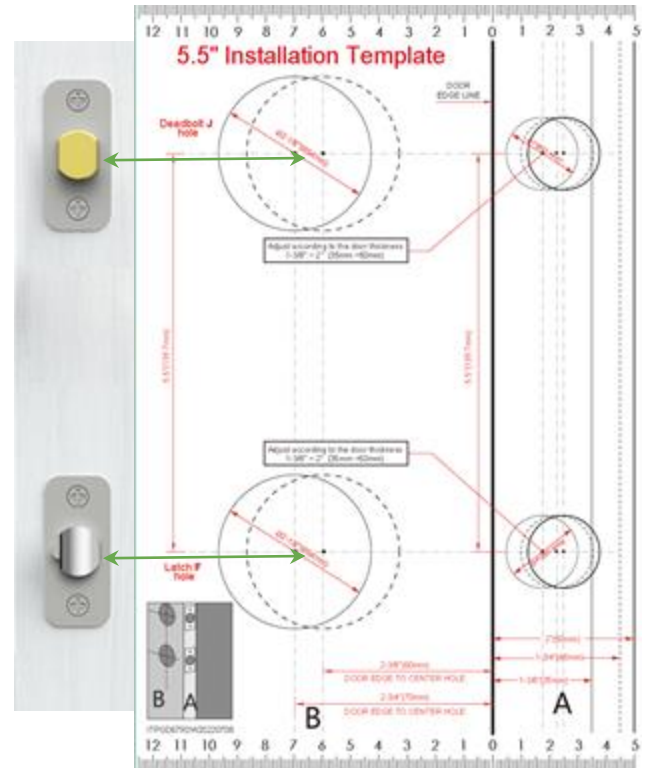
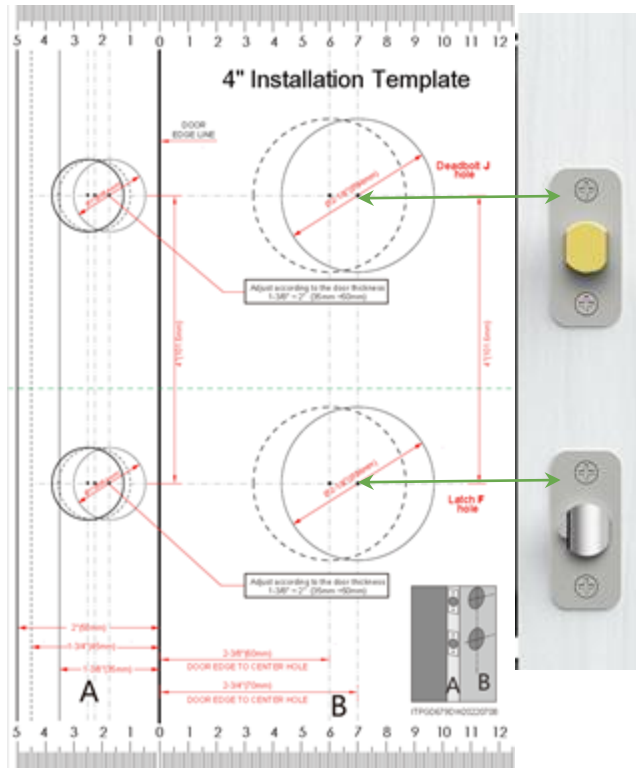
<sup>2</sup> Product Serial number must contain N, such as PGD679NXXXXXXX.

<sup>3</sup> Manufacturer Declares Compliance to ANSI A156.12 Interconnected Locks and Latches

DISCLAIMER Lockly has made every effort at the time of publication to ensure the accuracy of the information provided herein, product specifications, configurations, system, components and options availability are all subject to change without notice to improve features, reliability or design or otherwise. Version: 241120-JL

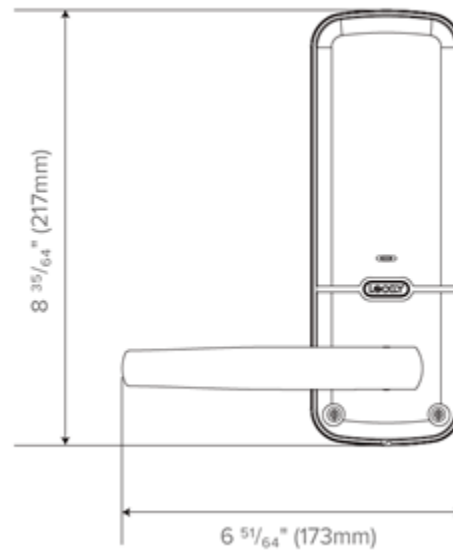
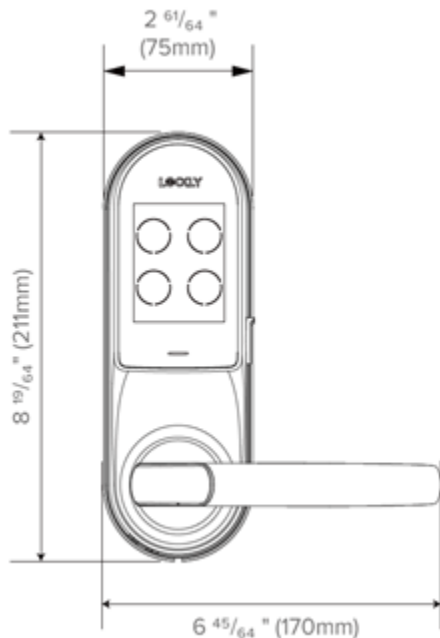
**How to measure Centre to Centre Distance of an existing installation**

Use the provided drilling template to measure the C2C distance of the existing door holes. Measure the distance from the center of the installed deadbolt to the center of latchbolt.



**Length of the Handles**

Before installation, ensure that you'll have enough space for the interior and exterior handles. Please note of the measurement of the product including the handles.



Product Code	Product Name	Hub	Keypad	Z-Wave
PGD679DWMB	Lockly Guard Duo (MB) Interconnected Edition (679D)	PGH230	Pin Genie Keypad	
PGD679DWSN	Lockly Guard Duo (SN) Interconnected Edition (679D)	PGH230	Pin Genie Keypad	
PGD679LWMB	Lockly Guard Latch (MB) Latch Edition (679L)	PGH230	Pin Genie Keypad	
PGD679LWSN	Lockly Guard Latch (SN) Latch Edition (679L)	PGH230	Pin Genie Keypad	
PGD679DWMBE3	Lockly Guard Duo Interconnected Flow Edition, Matte Black	PGH260 (Supports Matter)	Numeric Keypad	
PGD679DWSNE3	Lockly Guard Duo Interconnected Flow Edition, Satin Nickel	PGH260 (Supports Matter)	Numeric Keypad	
PGD679LWSNE3	Lockly Guard Latch Flow Edition, Satin Nickel	PGH260 (Supports Matter)	Numeric Keypad	
PGD679LWMBE3	Lockly Guard Latch Flow Edition, Matte Black	PGH260 (Supports Matter)	Numeric Keypad	
PGD679DZMB	Lockly Guard Duo 679DZ Interconnected Z-Wave Lock, Matte Black	Not Included, 260 compatible	Numeric Keypad	Yes
PGD679DZSN	Lockly Guard Duo 679DZ Interconnected Z-Wave Lock, Satin Nickel	Not Included, 260 compatible	Numeric Keypad	Yes
PGD679LZMB	Lockly Guard Latch 679LZ Z-Wave Smart Lock, Matte Black	Not Included, 260 compatible	Numeric Keypad	Yes
PGD679LZSN	Lockly Guard Latch 679LZ Z-Wave Smart Lock, Satin Nickel	Not Included, 260 compatible	Numeric Keypad	Yes