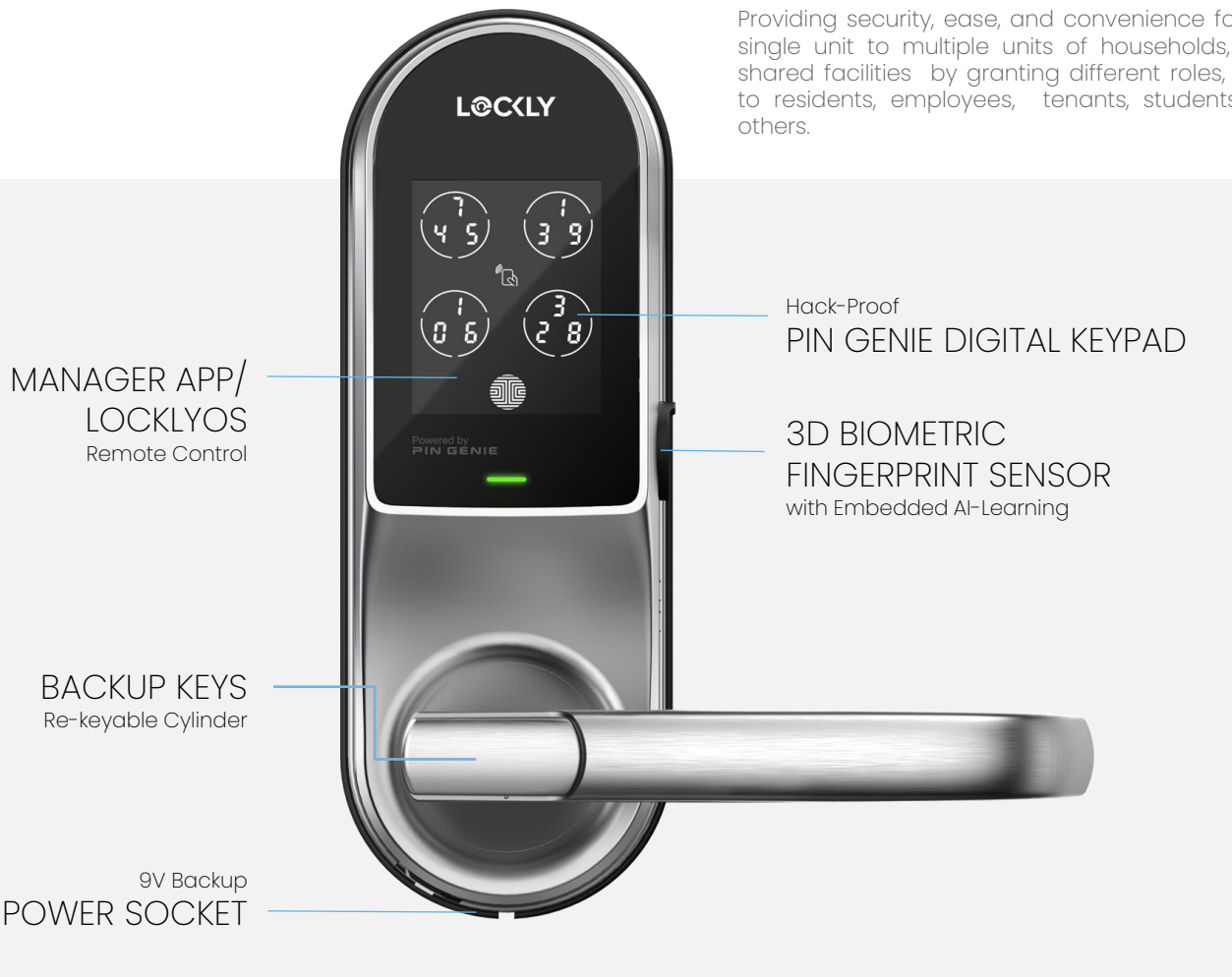


# LOCKLY GUARD LATCH PGD679LW

999 RFID CARD ACCESS  
MOBILE APP CONTROL  
PIN GENIE DIGITAL KEYPAD



Providing security, ease, and convenience for you to manage a single unit to multiple units of households, offices, schools, or shared facilities by granting different roles, and access control to residents, employees, tenants, students or members and others.



MANAGER APP/  
LOCKLYOS  
Remote Control

Hack-Proof  
PIN GENIE DIGITAL KEYPAD

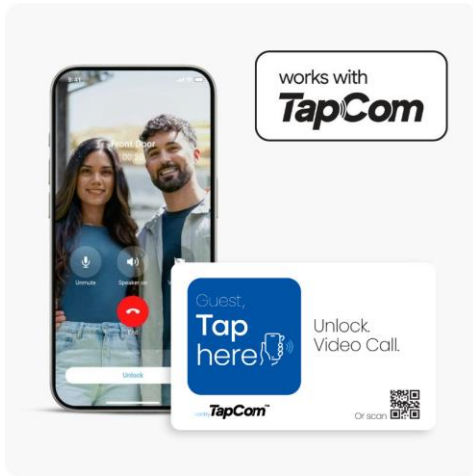
3D BIOMETRIC  
FINGERPRINT SENSOR  
with Embedded AI-Learning

BACKUP KEYS  
Re-keyable Cylinder

9V Backup  
POWER SOCKET

## FEATURE HIGHLIGHTS

GUARD LATCH 679L  
Bluetooth and Wi-Fi Connected



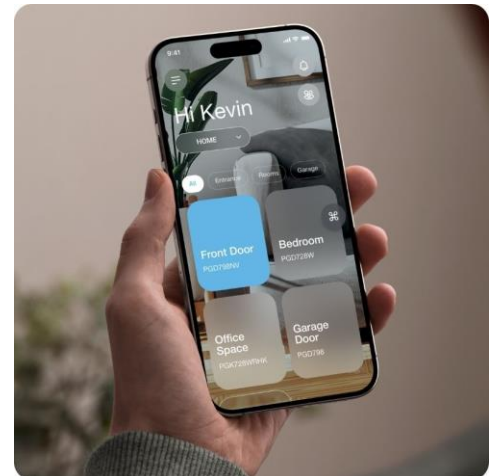
### TAPCOM

See, talk and unlock with HD video from anywhere, anytime.



### YOUR PROPERTY

Perfect for residential, multi-family, offices, storage rooms and much more.



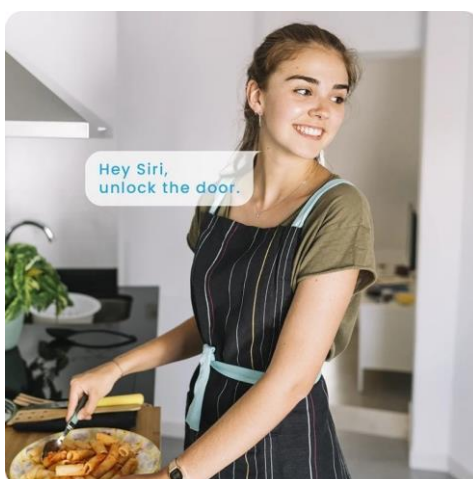
### APP CONTROL

Multiple ways to control and manage your property from anywhere, anytime.



### MIFARE RFID ACCESS

Revokable cards or Fob keys for quick and secured access.



### VOICE CONTROL

Control your lock with Amazon Alexa and Google Assistant.



### AIR TRANSFER

Quickly copy user profiles and credentials between compatible Lockly devices.

## MULTIPLE WAYS TO CONTROL



### 3D BIOMETRIC FINGERPRINT

Super fast 0.2 sec recognition.



### ACCESS CODES

6-8 digits PIN code with patented PIN Genie keypad to protect from password guessing.



### PHYSICAL KEYS

Rekey capable.



### EKEYS AND EBADGES

Setup unit owners and residents to unlock, no matter it is permanent, temporary, or one-time.



### OFFLINE ACCESS CODE™1

Grant one-time or recurring access even if you are not connected to the internet.



### PROGRAMMABLE AUTO-LOCKING®

Never worry about forgetting to lock your door.



### REAL-TIME NOTIFICATIONS

Get notified when someone has arrived, verify their identity with live view and unlock with app.



### MANAGER & RESIDENT APP CONTROL

Our dedicated apps for property managers and residents transform buildings into better workplaces and more enjoyable places to live.



### SEE THE BIG PICTURE WITH LOCKLYOS

With LocklyOS, easily manage every lock on your property. Control unit owners, grant guest access, receive alerts, conduct audits, and manage remote installations—all in one platform. Streamline operations, improve efficiency, and enhance resident satisfaction.

## INSTALLATION AND RESOURCES



### LOCKLY CHANNEL PARTNERS

We work with certified channel partners to support your project from installation, provisioning to providing end-user training materials.



Installation Guide, User Manual and Door Drilling Guide

## ORDERING INFORMATION

#### 1. Edition

**PGD679L** Guard Latch

#### 3. Finish\*

SN Satin Nickel  
MB Matte Black  
AB Aged Bronze

#### 6. Wireless Door Sensor

Sold separately / Optional  
**PGA388**

\***Custom Colors:** Available with a minimum order quantity (MOQ) and may require an extended lead time. Please consult our sales representative for further details.

\*Must be used with PGH230 or PGH260.

#### 2. Wi-Fi Hub

Included  
**PGH230** Secure Link (supports Matter)

\*Some features require connection to Secure Link Wi-Fi Hub

#### 4. Touchscreen Cover

Included  
**PGA730**

#### 5. Credential Manager Encoder

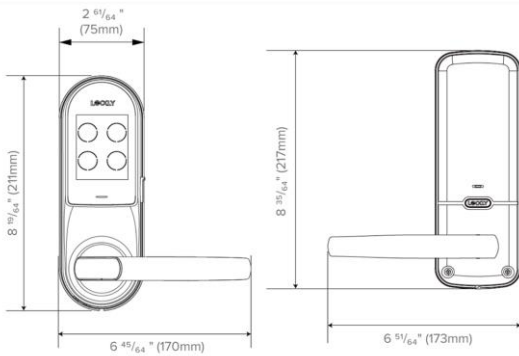
Sold separately / Optional  
**PGA349**

#### 7. RFID / Fob Key

**PGA803WH** Tag key (3pcs included)  
**PGA803P** Fob key (10pcs)  
**PGA803L** 1" RFID sticker (10pcs)  
**PGA803LL** 2 1/2" x 1 1/2" RFID sticker (10pcs)  
**PGA803S** RFID card (10pcs)

# SPECIFICATIONS

## GUARD LATCH 679L Bluetooth and Wi-Fi Connected



### ELECTRONIC SPECIFICATIONS

Access Codes	Stores up to 49 <sup>OS</sup> PIN access codes
RFID/Fob key Access	Stores up to 999 <sup>OS</sup> MIFARE RFID/fob
Fingerprint Access	Stores up to 99 biometric fingerprints
Remotely Shareable Temporary Access	Unlimited <sup>OS</sup> Offline Access Codes/eBadges
Access Logs	Unlimited <sup>OS</sup> Accessible via Lockly Manager app or LocklyOS™
Visual and Audible	Exterior: LED (Red, Green), Interior: LED (Red), Configurable Lock/Unlock Audio Indicator
Communication Standards	BLE 4.2, Wi-Fi 2.4GHz, RF433.92MHz, Advanced Encryption Standard (AES), 256-bit
Gateway Communication Range (networked solution)	Up to 98' (30m) BLE, Up to 197' (60m) Wi-Fi, Up to 164' (50m) RF433.92MHz, Unobstructed open environment
Command Response	Responds to command from host in less than 3 seconds when linked to Lockly Wi-Fi Hub, 0.2S on Fingerprint Recognition
Connectivity Options	Lockly Manager app, LocklyOS, Matter Controller, All in real-time communication
Available Signal Status	Battery Status via App, Open/Close Door Status, Bluetooth Connectivity Indicator, Sensor LED (Red/Green)
Battery Life	AA Alkaline Batteries x4 (Included), Up to 1 year (Offline mode), Up to 10 months (Regular use with App & sensor), 9V backup power socket
Waterproofing	IP54
Operating Temperature	-4°F to 151°F (-20°C to 66°C)
Operating Humidity	0 - 95% non-condensing

### CREDENTIAL SPECIFICATIONS

Credential Technologies	RFID Card (13.56 MHz), BLE (2.4 GHz), Wi-Fi (2.4GHz), Capacitive Sensor, Patented PIN Genie Keypad
Standards	ISO 14443
Maximum Read Range	RFID: up to 0.79", BLE: up to 98' (30m), Wi-Fi: up to 197' (60m)
RFID/Fob Compatibility	MIFARE® S50
Mobile Compatibility	Lockly Manager app BLE 4.2, LocklyOS, Matter

### MECHANICAL SPECIFICATIONS

Reversible Handing	Yes
Materials	Premium Zinc Alloy chassis and escutcheon
Door Thickness	1-3/8" - 2" (35mm - 50mm)
Backset	Adjustable 2-3/8" or 2-3/4" (60mm or 70mm), 1" x 2-1/4" round corner faceplate
Strike	Latchbolt: 1-1/8" x 2-3/4", round corner, Dust box included
Bore	2-1/8" (54mm) diameter bore hole, 1" (25mm) diameter latch hole
Physical Keys	SCI 5-Pin, Re-Keying compatible, 2pcs included

### COMPLIANCE & WARRANTY

Compliance	RoHS, FCC, ADA Compliant, FBC, built to ANSI Grade 2 <sup>2</sup> , ETL Listed for fire-rated door hardware applications – tested to UL 10B, UL 10C, NFPA 252, and CAN/ULC-S104 for up to 45 minutes positive pressure exposure. Control Number: 5026048
Warranty	Lifetime 24/7 Technical Support, 2 -year Limited Mechanical & Finish, 2 -year Limited Electronics

\* Requires LocklyOS subscription

<sup>1</sup> Product Serial number must contain N, such as PGD679NXXXXXXX

<sup>2</sup> Manufacturer Declares Compliance to ANSI A156.2 Bored and Preassembled Locks and Latches

DISCLAIMER: Lockly has made every effort at the time of publication to ensure the accuracy of the information provided herein, product specifications, configurations, system, components and options availability are all subject to change without notice to improve features, reliability or design or otherwise. Version: 241120-JL

Product Code	Product Name	Hub	Keypad	Z-Wave
PGD679DWMB	Lockly Guard Duo (MB) Interconnected Edition (679D)	PGH230	Pin Genie Keypad	
PGD679DWSN	Lockly Guard Duo (SN) Interconnected Edition (679D)	PGH230	Pin Genie Keypad	
PGD679LWMB	Lockly Guard Latch (MB) Latch Edition (679L)	PGH230	Pin Genie Keypad	
PGD679LWSN	Lockly Guard Latch (SN) Latch Edition (679L)	PGH230	Pin Genie Keypad	
PGD679DWMBE3	Lockly Guard Duo Interconnected Flow Edition, Matte Black	PGH260 (Supports Matter)	Numeric Keypad	
PGD679DWSNE3	Lockly Guard Duo Interconnected Flow Edition, Satin Nickel	PGH260 (Supports Matter)	Numeric Keypad	
PGD679LWSNE3	Lockly Guard Latch Flow Edition, Satin Nickel	PGH260 (Supports Matter)	Numeric Keypad	
PGD679LWMBE3	Lockly Guard Latch Flow Edition, Matte Black	PGH260 (Supports Matter)	Numeric Keypad	
PGD679DZMB	Lockly Guard Duo 679DZ Interconnected Z-Wave Lock, Matte Black	Not Included, 260 compatible	Numeric Keypad	Yes
PGD679DZSN	Lockly Guard Duo 679DZ Interconnected Z-Wave Lock, Satin Nickel	Not Included, 260 compatible	Numeric Keypad	Yes
PGD679LZMB	Lockly Guard Latch 679LZ Z-Wave Smart Lock, Matte Black	Not Included, 260 compatible	Numeric Keypad	Yes
PGD679LZSN	Lockly Guard Latch 679LZ Z-Wave Smart Lock, Satin Nickel	Not Included, 260 compatible	Numeric Keypad	Yes