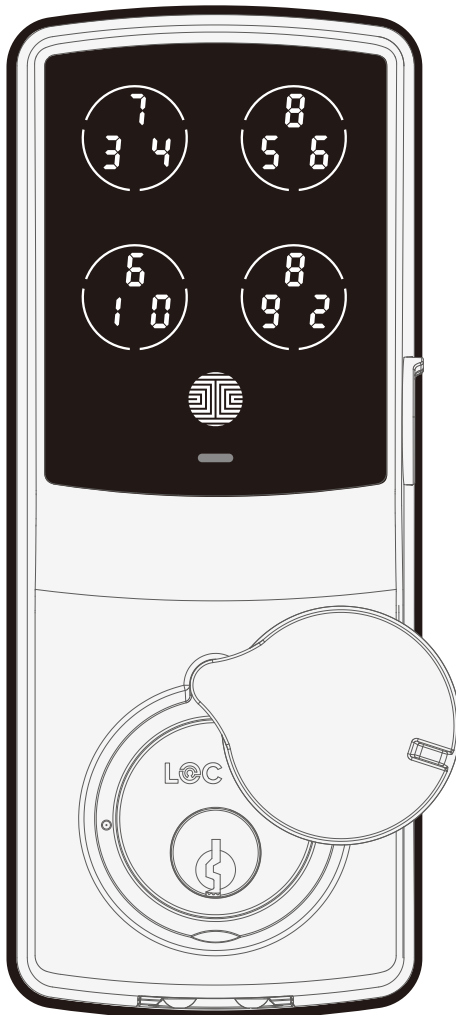


INSTALLATION GUIDE

PGD728WPU



LOCKLY GUARD™ DEADBOLT 728W

For commercial use & professional installation

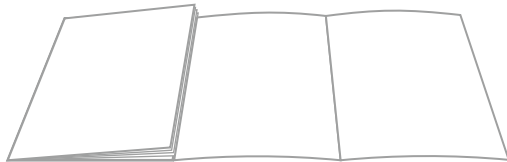
BHMA
CERTIFIED®

C **UL** US LISTED

LOCKLY PRO™ www.LocklyPRO.com

Welcome!

This guide will walk you through step-by-step how to install and get your Lockly Guard up and running. Installation generally takes less than 30 minutes. If you have any questions please reference our online support at: LocklyPRO.com/support or call (669) 500-8835 for help.



Reference installation parts overview foldout on back page

Go to LocklyPRO.com/downloads to watch a video version of this installation guide.

OR

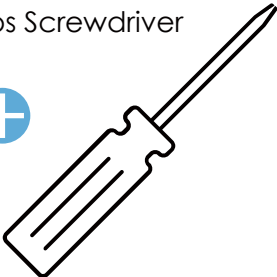
Scan the code on your phone to watch step-by-step video installation.



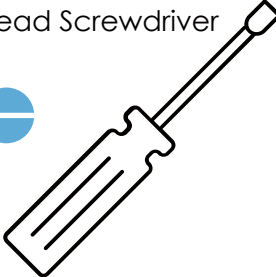
Preparation

To complete the installation you will need:

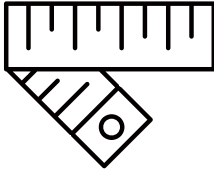
Phillips Screwdriver



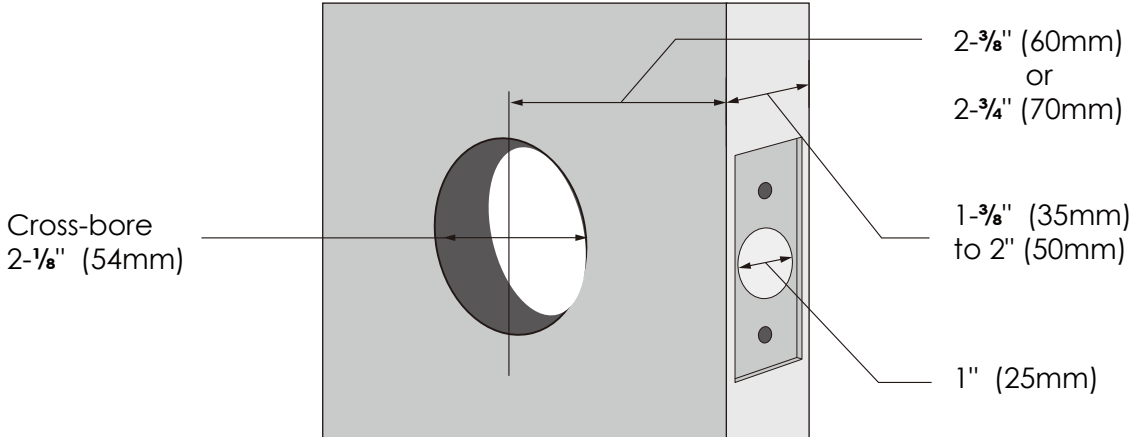
Flathead Screwdriver



Tape measure or ruler



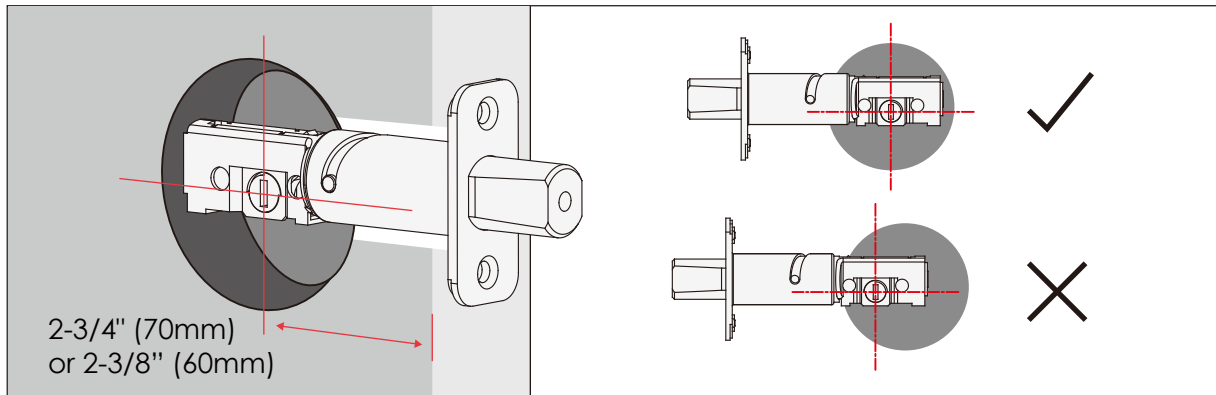
Prepare door: remove existing deadbolt or use provided template to bore new holes.



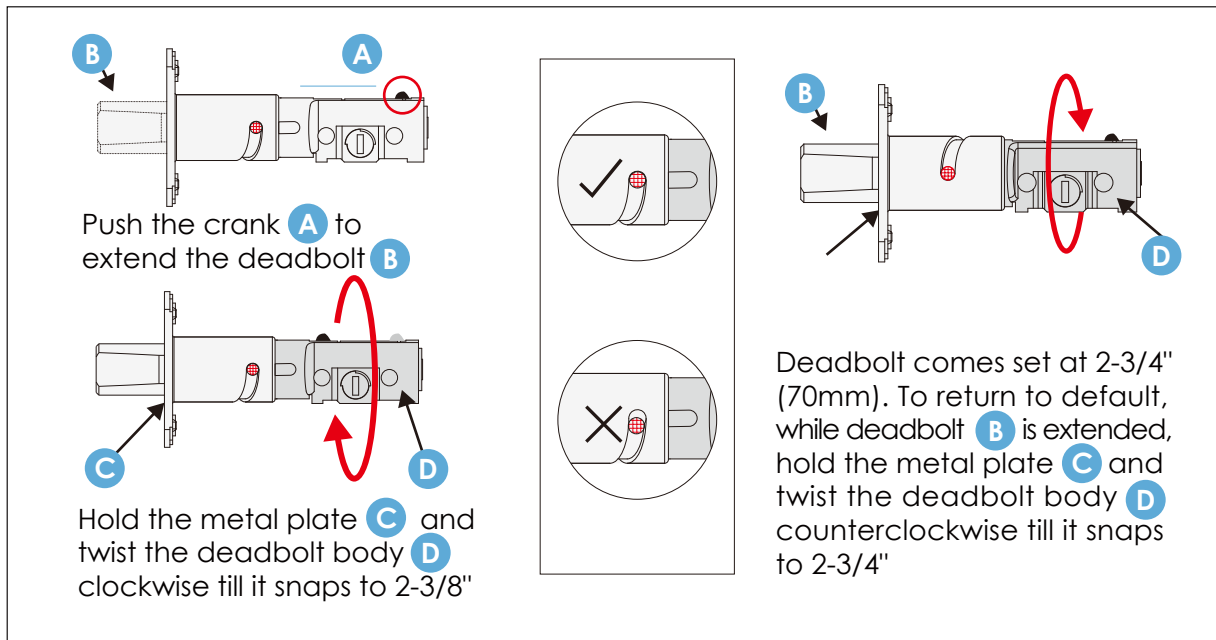
Step 1

ADJUST DEADBOLT AND INSTALL

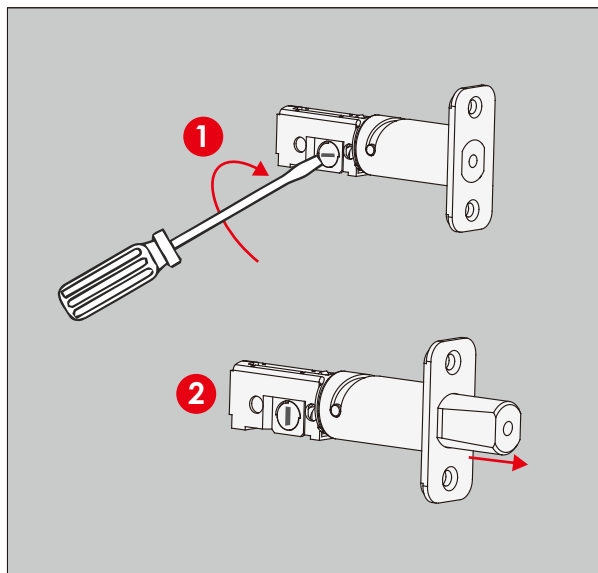
Deadbolt slot must align to the center of the door hole. Adjust as shown if needed.



The deadbolt comes set to 2-3/4" (70mm). Adjust length to 2-3/8" (60mm) if necessary. (wear gloves to protect from possible pinching).

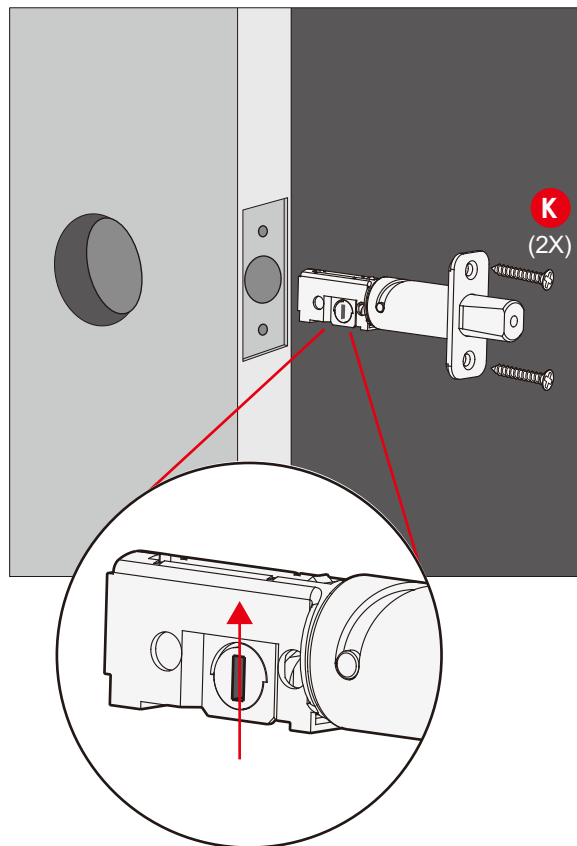


Extend the deadbolt by inserting a flat-head screwdriver into the slot and turning clockwise.



Insert the deadbolt into door edge hole. make sure that the right side is up and the slot is in the vertical position. Secure with 2

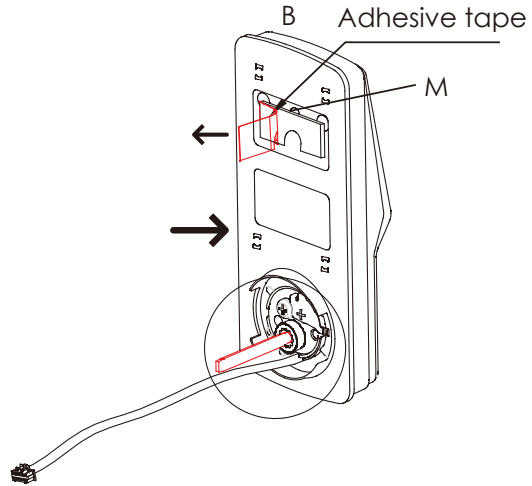
K screws.



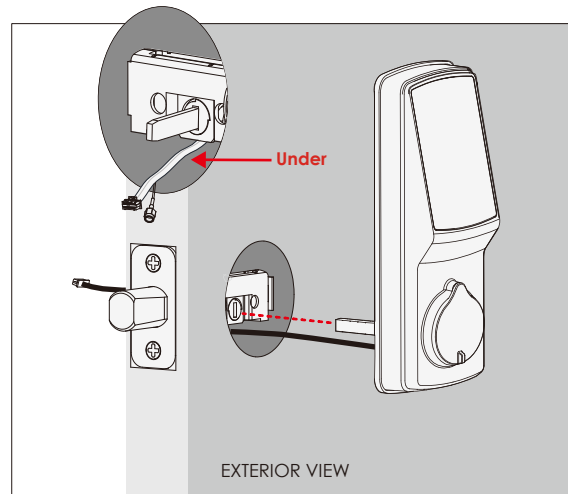
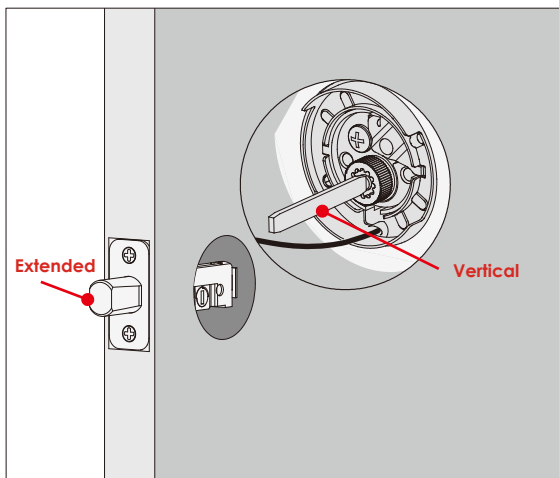
Step 2

INSTALLING EXTERIOR ASSEMBLY (B)

Check the exterior assembly (B) alignment to door hole and deadbolt before peeling off film on adhesive strips.

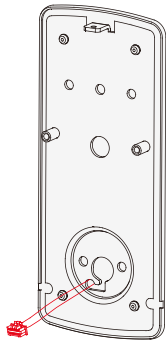


Peel film from adhesive strips and make sure torque blade is in the vertical position with the deadbolt extended. Place assembly and torque blade through the deadbolt slot and guide connection cables through the cross-bore hole under the deadbolt as shown. Complete mounting by aligning and securing until flush to exterior door surface.

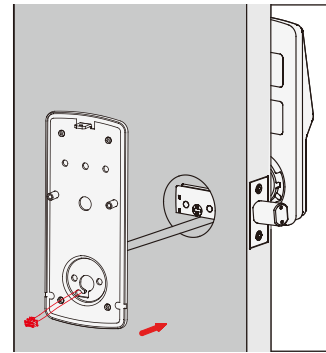


Step 3

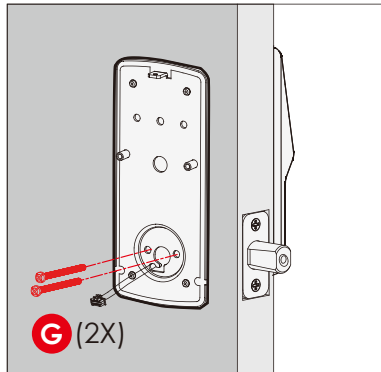
INSTALLING INTERIOR ASSEMBLY (F)



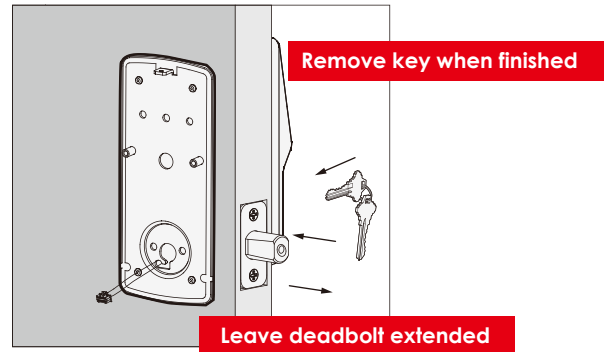
1: Check interior mounting plate (D) alignment to your door hole before securing with adhesive strips.



2: Align and secure mounting plate with adhesive strips. Guide connection cables through the hole and secure to the lower left notched hole.



3: Insert and tighten by hand 2 **G** screws located on the left and right of the blade. Check alignment and tighten with screwdriver until mounting plate is securely placed on door.



4: Use the key to ensure deadbolt locks and unlocks smoothly (no binding or rubbing). **IMPORTANT: when finished, leave the deadbolt extended and remove the key before proceeding to the next step.**

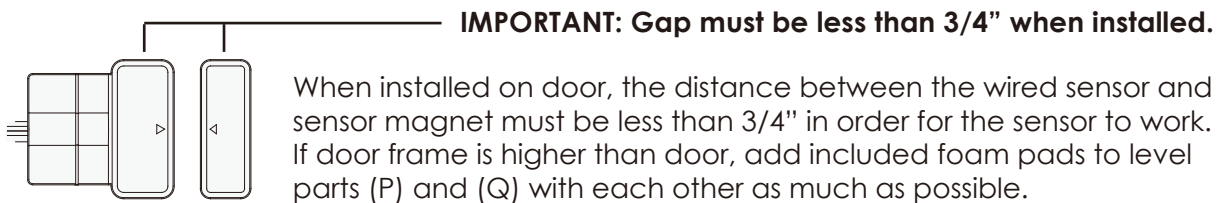
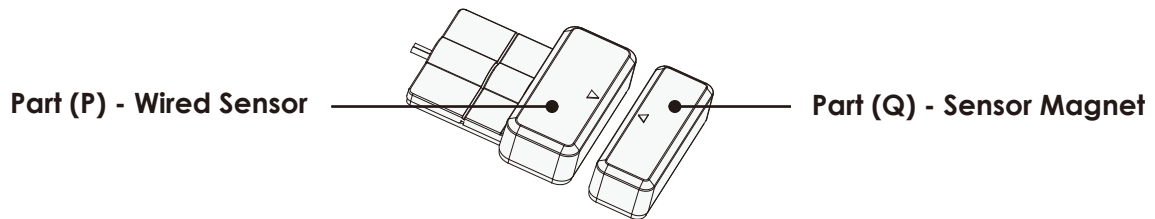
TIP: when installing screws by hand, turn screws clockwise several turns then counterclockwise one turn to ensure smooth threading and no cross threading.

Do not mount (install) door sensors yet. You will install in step 7.

About door sensors

Door sensors provide real-time door condition status, such as the ability to verify if the door is securely closed. It also sends push notifications to your phone whenever your door opens and enables voice control with Amazon Alexa or Google assistant.

Lockly Secure Pro comes with a pre-wired door sensors consisting of two parts:

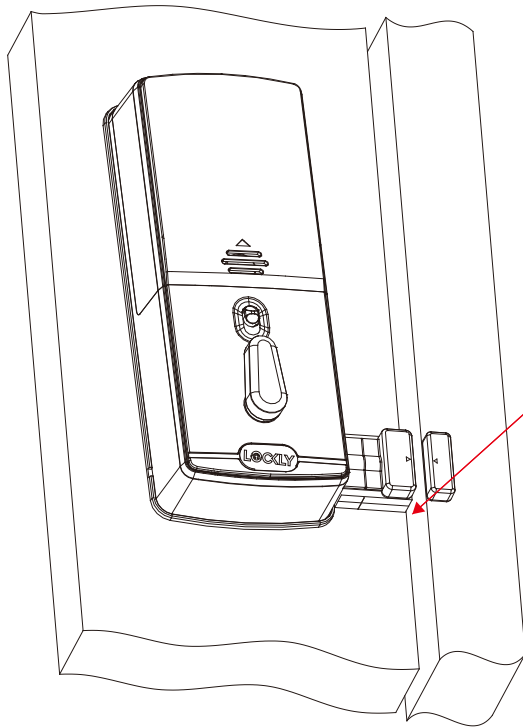
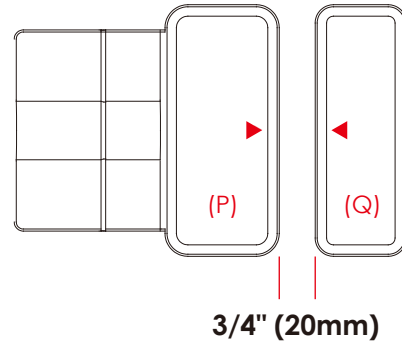


TIP: Lockly door sensors come in Grey (PGA715) and Matte Black (PGA716) that can be ordered through our customer hotline: (669) 500-8835 or by email: prosales@Lockly.com.

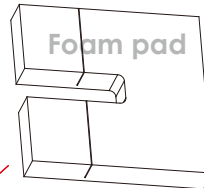
Removal of Sensor (optional)

There may be circumstances where the sensor cannot be installed because of molding/door limitations or is not aesthetically desirable. The sensor wired to the lock is removable by carefully pulling its connector from the circuit board. **If removed, some features and functionality will not be available, such as real-time condition status.**

When installing the door sensors, make sure the arrow on the wired sensor (P) aligns to the arrow of the sensor magnet (Q) as close as possible.



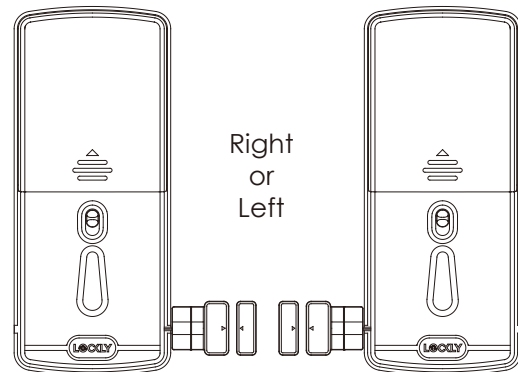
2-3/8" (60mm)



2-3/4" (70mm)

The sensors need to be as close to level as possible. If needed, use the adhesive foam pad(s) to adjust the height of the wired sensor.

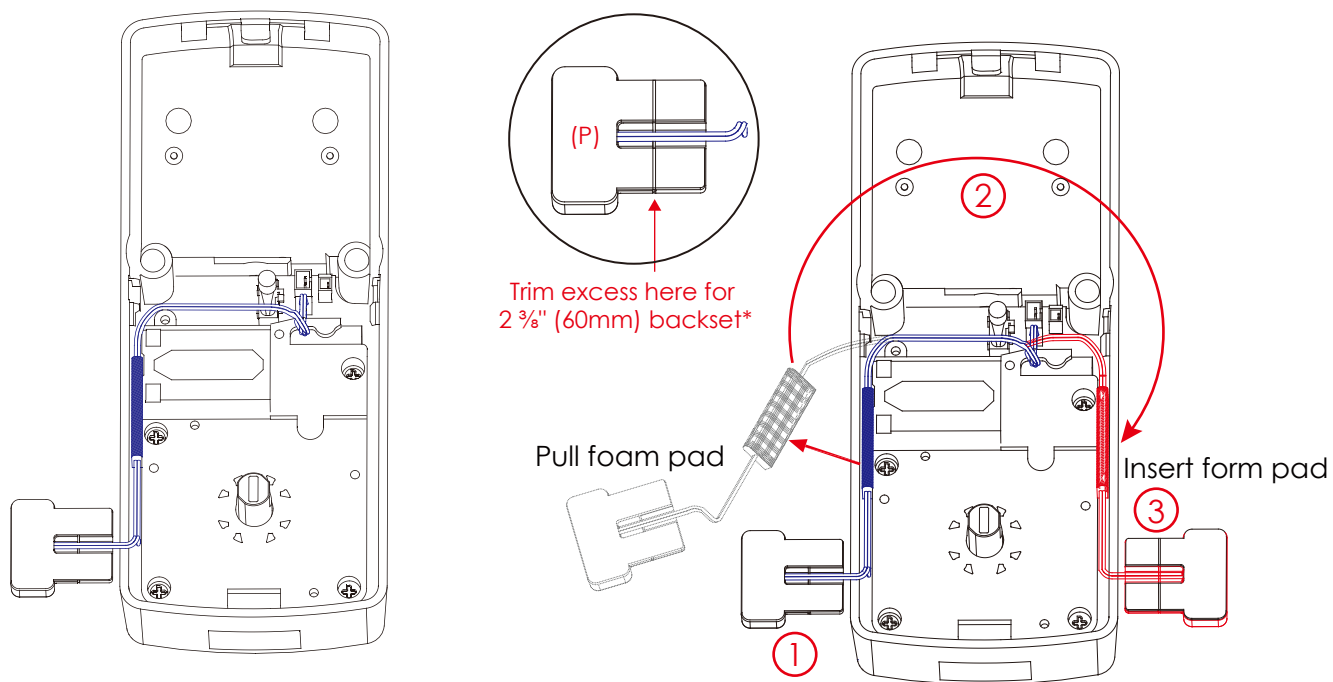
Sensors can be positioned on either left or right side (see page 10).



The interior assembly comes with the pre-installed wired door sensor setup for a right swing doors with 2 ¾" (70mm) backset*.

Trim excess part (P) for doors with 2 ⅜" (60mm) backset as shown below.

For left swing doors, re-route the door sensor wire through the side channel. Pull the foam pad then re-insert to secure the wire. Discard the excess part (e) for doors with 2 ⅜" (60mm) backset as shown below:



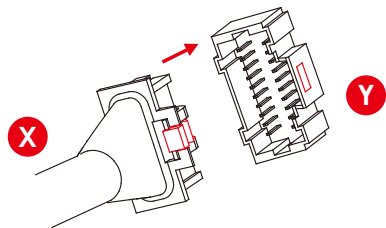
*Backset = distance of the door edge to the center of the cross-bore door hole.

DO NOT INSTALL THE SENSORS YET

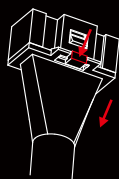
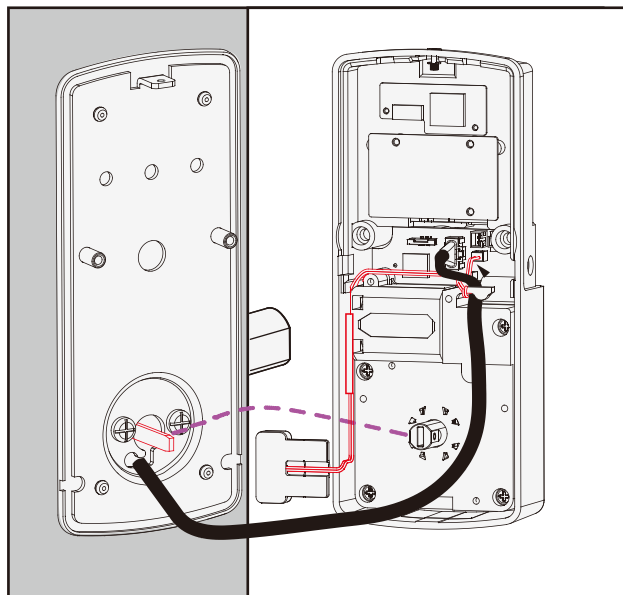
Step 5

INSTALLING THE INTERIOR ASSEMBLY (F)

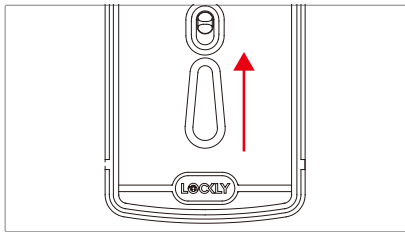
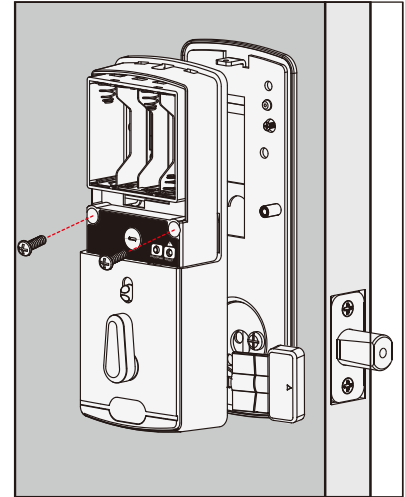
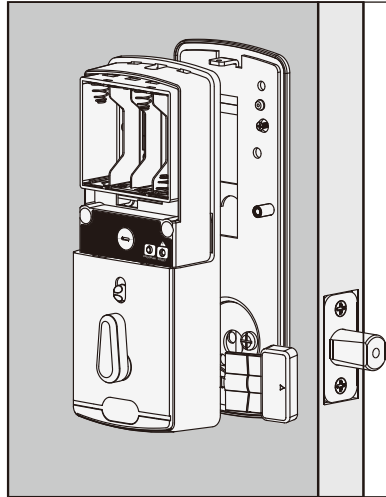
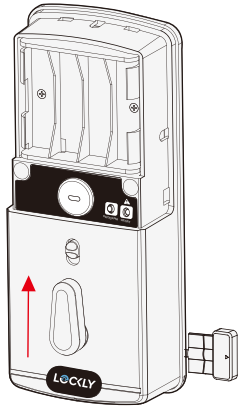
Plug the cable coming through mounting plate (D) into the interior assembly (F) as shown. Tuck cable under eyelet hooks and route to the right on interior assembly (F).



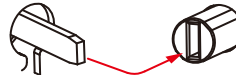
Plug **X** into **Y**, match red side of plug with red on socket - insert tightly.



NOTE: If you need to disconnect the cable, make sure to press the snap tab to release the plug before carefully pulling it out. Do not force, as this may result in damaging the lock.



Torque Blade Thumb turn shaft




Align torque blade with thumb turn shaft, **make sure both are in the vertical position.**



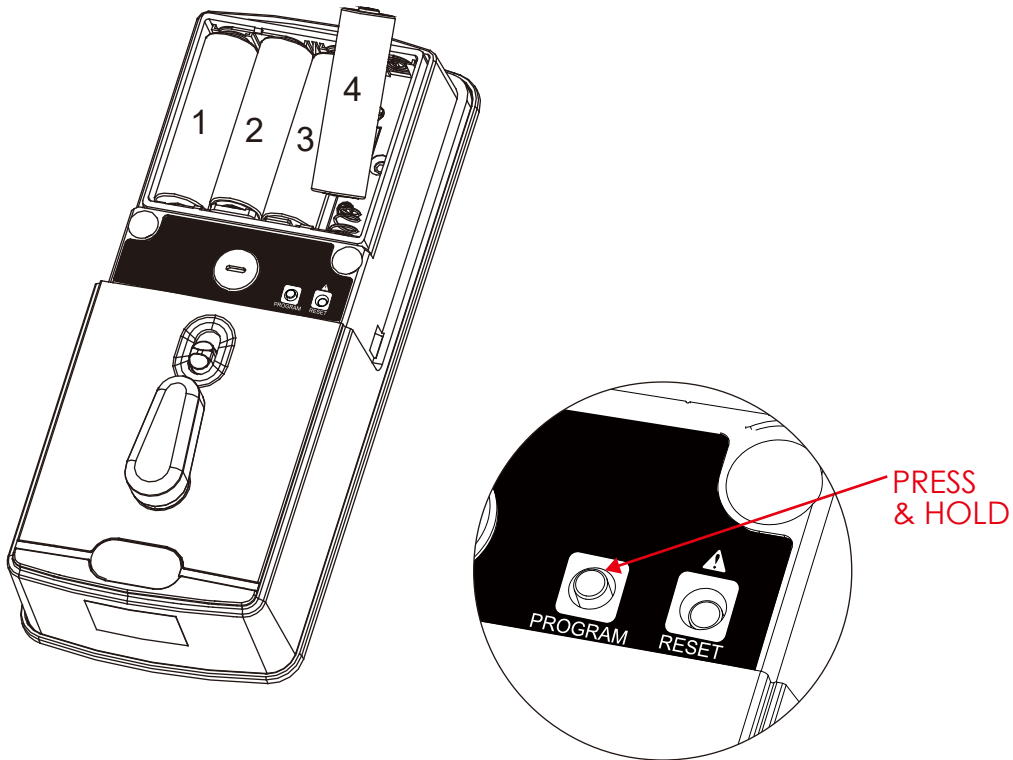
Before placing the interior assembly onto the mounting plate, ensure the thumb turn is **vertical**.

Place the interior assembly against the mounting plate and make sure the torque blade is inserted to the thumb turn shaft.

Secure the interior assembly to mount platedoor with 2  screws.

Step 6

INSTALLING BATTERIES



1: With door open and deadbolt **fully extended**, place ribbon inside compartment and **insert 4 batteries** (note correct -/+ polarity).

2: After all batteries are installed, PRESS and HOLD the program button for 10S. The lock will automatically start self-check (release program button once check starts). The self-check process determines right or left swinging door and is very important to ensure correct installation. **IMPORTANT: if lock is not properly installed it will open and close repeatedly (refer to next page #3).**

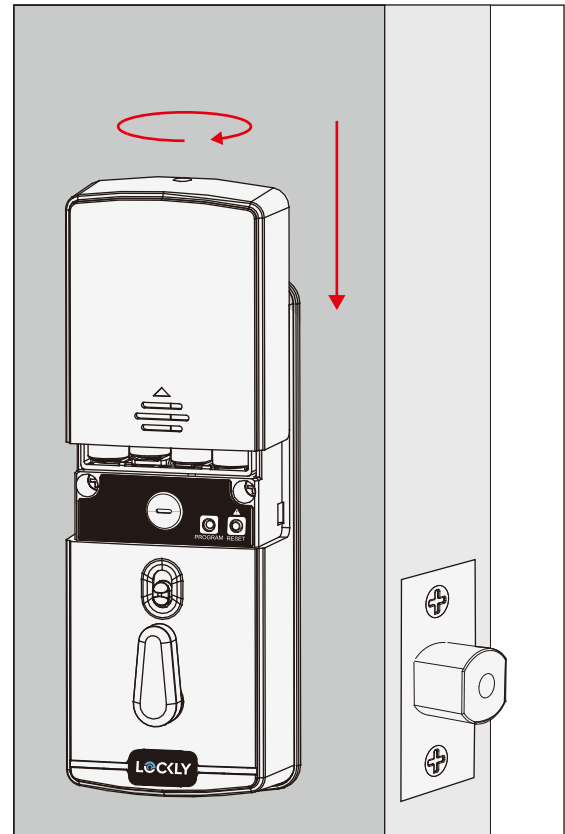
Step 6

INSTALLING BATTERIES

3: Once self-check completes ensure the lock operates smoothly by manually locking and unlocking the door using the thumb turn on the interior assembly. The deadbolt should operate smoothly without any interference or binding. If necessary, repeat step 2 and ensure that (a) the deadbolt was extended and (b) the torque blade was inserted vertically while the deadbolt was extended.

4: Swipe your hand across the touch screen keypad, the lock should close (lock). If deadbolt bounces back or unlocks automatically it means something is not installed correctly. Go back and repeat step 2, same as above.

5. Once self-check is complete, install battery cover (H), secure with screw on top (do not over tighten).



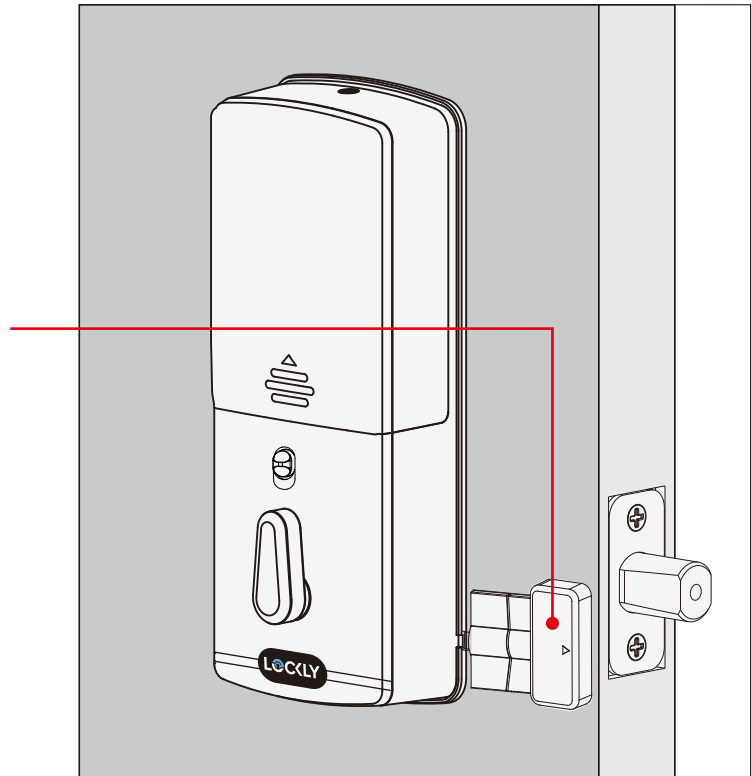
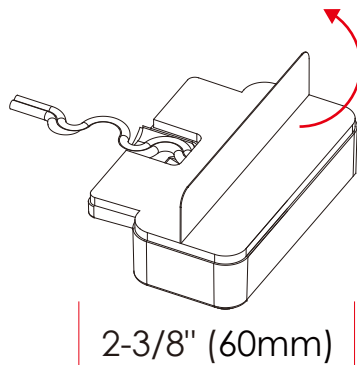
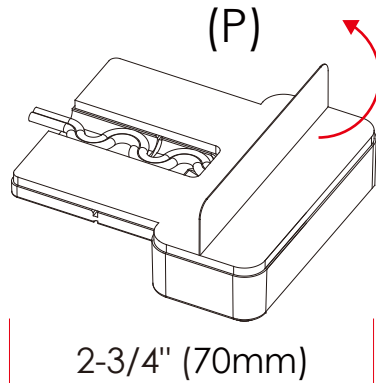
Step 7

INSTALLING THE DOORS SENSOR

Make sure you have prepared the door sensors for installation, see step 4

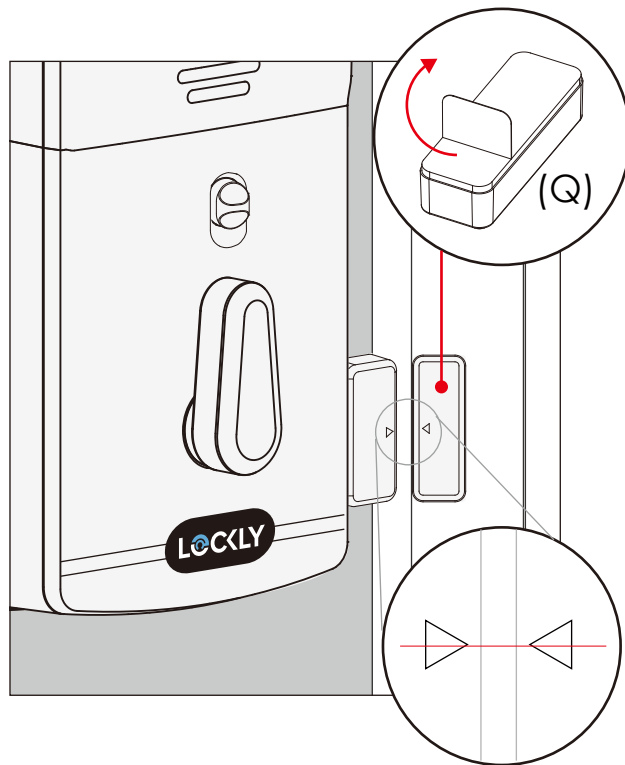
LOCK SENSOR (P)

Install on the interior side only. If necessary, trim tab from sensor (P) for doors with 2-3/8" (60mm) backset. Clean surface of door and doorframe, remove film from adhesive, attach and secure close to door edge as shown.



DOOR FRAME SENSOR (Q)

Manually retract deadbolt and close door. Dry fit sensor (Q) to door frame and check for alignment. If needed, raise the height of the sensor to be more level with sensor (P) by adding 1 or 2 of the included adhesive foam pads. Once satisfied both sensors are as level as possible, remove film from adhesive and install with arrows aligned to each other with less than a 3/4" gap between each sensor.

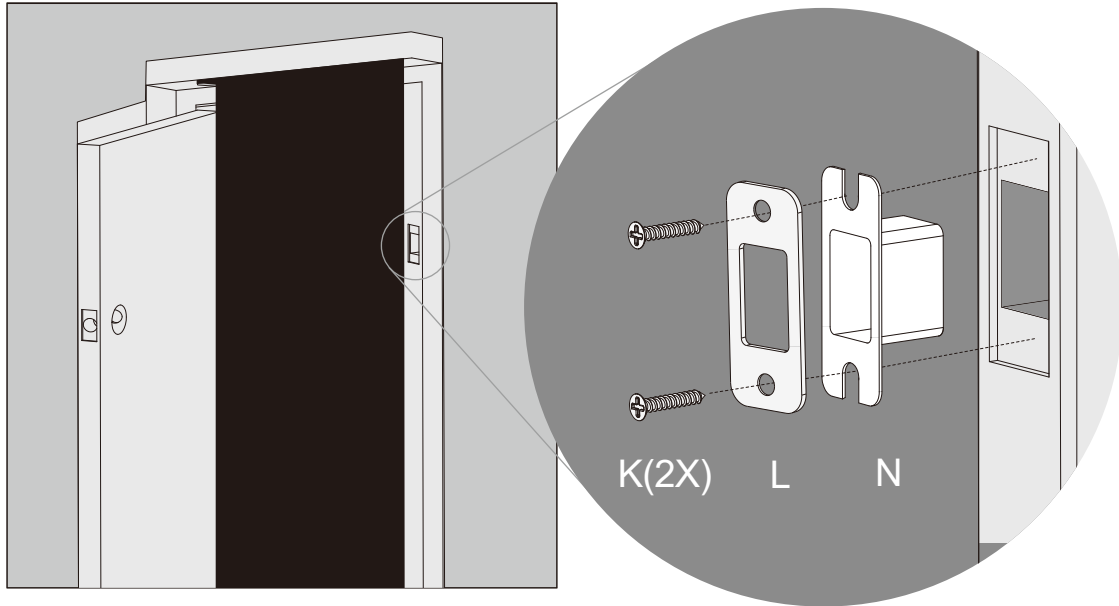


NOTE: When properly installed, the Lockly logo blinks red when door opens and closes.

Step 8

INSTALLING STRIKE PLATE

Use the supplied door strike or use your existing as long as deadbolt operates smoothly without binding or catching.



IMPORTANT: because doors and frames vary in design it may be necessary to make slight adjustments to your strike plate and/or dust box in order to ensure smooth deadbolt operation. **This is very important.** If the deadbolt is binding or catching in any way the lock will sound an alarm (rapid beeping) indicating it cannot close due to misalignment and/or excessive rubbing or binding.

You have completed the Lockly physical lock installation. To enable live monitoring and voice control with Google Assistant or Amazon Alexa, you will need to setup the included Secure Link Wi-Fi hub and pair it with the Lockly Secure Pro deadbolt smart lock door sensors.

Before connecting Secure Link Wi-Fi hub download the Lockly app on your smartphone. It's required to finish setup and to set (pair) the connection between hub and lock.

**Scan or visit
LocklyPRO.com/app**

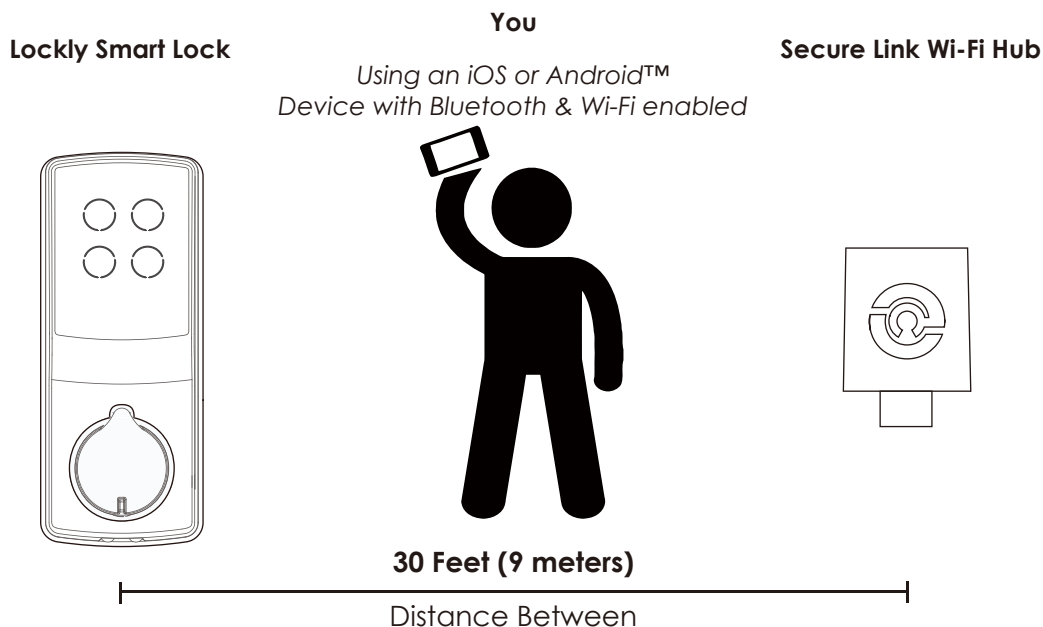


Step 10

SETTING UP THE SECURE LINK WI-FI HUB

To set up your Lockly Secure Pro, choose an appropriate location for the Secure Link Wi-fi Hub for optimum performance (see below). For optimum connectivity, it is recommended that the hub be no further away from the lock than 30 feet (9 meters).

During the setup process position yourself between the lock and the Secure Link Wi-Fi Hub—ideally no more than 30 feet (9 meters) apart. Ensure your iOS or Android device has both Bluetooth and Wi-Fi enabled.



TIP: The Secure Link requires a strong wireless signal for optimal performance. Make sure the Secure Link will be installed in a location with a strong 2.4 Ghz wireless signal. Sometimes distances between Wi-Fi hub and lock can vary due to circumstances. If you are having difficulty setting up optimal range of 30/ft or less, we're here to help. Call our customer care team: (669) 500 8835, or visit [LocklyPRO.com/support](https://www.locklypro.com/support) for suggestions and troubleshooting tips.

Plug the Secure Link Wi-Fi Hub into the 5V 1A USB AC adapter and plug the AC adapter to your wall socket.



USA Outlet Shown

A **GREEN** LED indicator light will flash slowly to indicate that the Wi-Fi Hub is ready to connect.



LED Indicator is located next to the Setup Button

Once you have confirmed that your Secure Link Wi-Fi Hub is ready to connect to your lock, open the Lockly App from your smartphone. **Make sure you are standing between the Wi-Fi hub and Lockly smart lock**, then Add New Device and follow the on screen instructions.

Step 11

CONNECTING YOUR LOCKLY SECURE PRO

The App will take you through the following steps, make sure the smart lock has been properly installed. You will need your activation card that is included in the box to proceed.

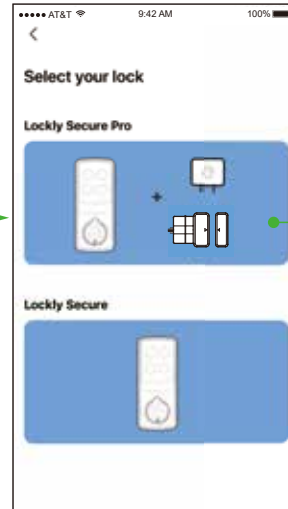
ADD NEW DEVICE



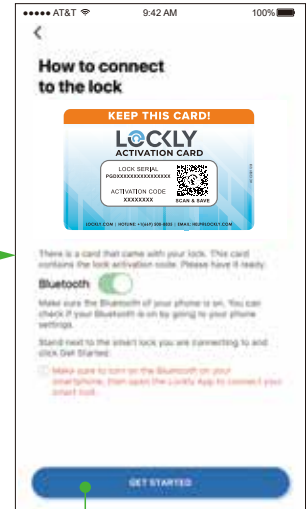
Select A Device



Select Lockly Secure Pro



GET STARTED



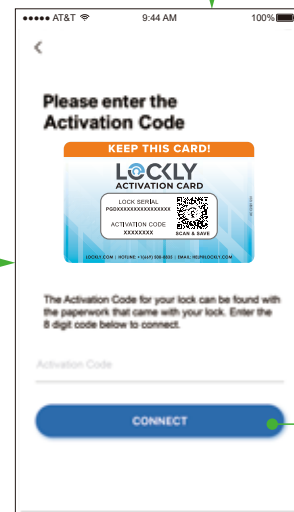
Scanning LOCK SERIAL



If you can't scan LOCK SERIAL,
Then enter manually

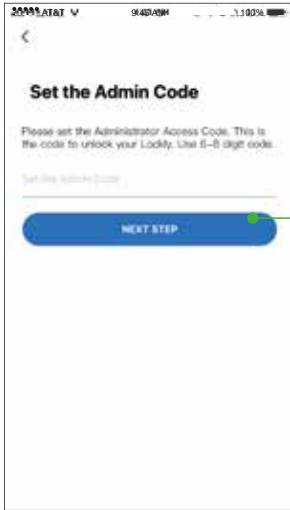


Input Activation Code



Turn to the
next page

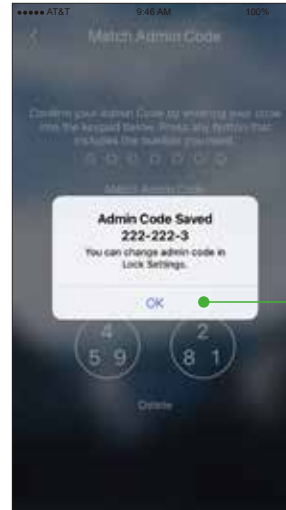
Set the Admin Code



Confirm lock password



Password setting OK



Plug in your Secure Link and Click "YES"



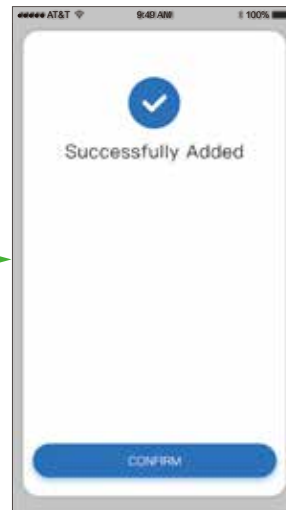
Set Wi-Fi



Click "Yes" when the green light is on



Successfully Added



Congratulations!
Your Lockly Secure Pro is now set up.

You may proceed to
Add the Door Sensors.

Hands-free voice control

Control and check your status using only your voice with Amazon Alexa or Google Assistant-enabled devices.



"Alexa, is my Front Door locked?"



"Your Front Door is locked"

To setup your lock to work with either voice assistant, download the Amazon Alexa or Google Home App and add a new Amazon Alexa Skill or Lockly Action on Google.



TIP: In Google Home or Amazon Alexa app, add Lockly skill for Alexa or Lockly Action on Google, then follow on screen instructions. See full list of commands, help videos, or troubleshooting your Lockly at LocklyPRO.com/support

FCC Warning :

This device complies with Part 15 of the FCC Rules. Operation is subject to the following two conditions: (1) This device may not cause harmful interference, and (2) this device must accept any interference received, including interference that may cause undesired operation.

NOTE 1: This equipment has been tested and found to comply with the limits for a Class B digital device, pursuant to part 15 of the FCC Rules. These limits are designed to provide reasonable protection against harmful interference in a residential installation. This equipment generates, uses and can radiate radio frequency energy and, if not installed and used in accordance with the instructions, may cause harmful interference to radio communications. However, there is no guarantee that interference will not occur in a particular installation. If this equipment does cause harmful interference to radio or television reception, which can be determined by turning the equipment off and on, the user is encouraged to try to correct the interference by one or more of the following measures:

- Reorient or relocate the receiving antenna.
- Increase the separation between the equipment and receiver.
- Connect the equipment into an outlet on a circuit different from that to which the receiver is connected.
- Consult the dealer or an experienced radio/TV technician for help.

NOTE 2: Any changes or modifications to this unit not expressly approved by the party responsible for compliance could void the user's authority to operate the equipment.

FCC Radiation Exposure Statement

The Secure Link Wi-Fi Hub complies with FCC radiation exposure limits set forth for an uncontrolled environment. It should be installed and operated with minimum distance 20cm between the radiator & your body.

IC WARNING

This device contains licence-exempt transmitter(s) that comply with Innovation, Science and Economic Development Canada's licence-exempt RSS(s). Operation is subject to the following two conditions:
(1) This device may not cause interference.
(2) This device must accept any interference, including interference that may cause undesired operation of the device.

L'émetteur/récepteur exempt de licence contenu dans le présent appareil est conforme aux CNR d'Innovation, Sciences et Développement économique Canada applicables aux appareils radio exempts de licence. L'exploitation est autorisée aux deux conditions suivantes:

1. L'appareil ne doit pas produire de brouillage;
2. L'appareil doit accepter tout brouillage radioélectrique subi, même si le brouillage est susceptible d'en compromettre le fonctionnement.

IC Radiation Exposure Statement

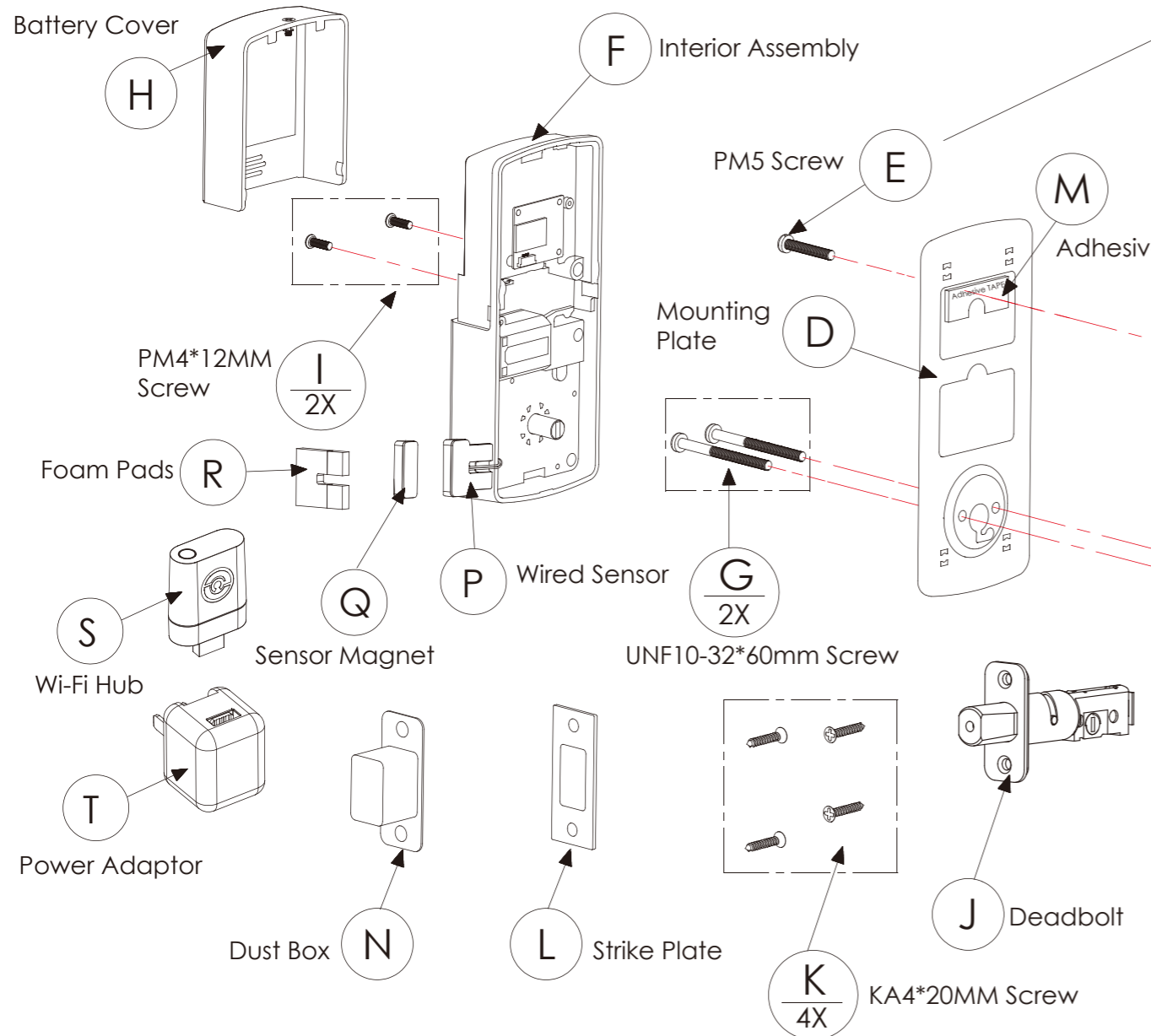
This equipment meets the exemption from the routine evaluation limits in section 2.5 of RSS-102. It should be installed and operated with a minimum distance of 20cm between the radiator and any part of your body.

Cet équipement est conforme à l'exemption des limites d'évaluation habituelle de la section 2.5 de la norme RSS-102. Il doit être installé et utilisé à une distance minimale de 20 cm entre le radiateur et toute partie de votre corps.

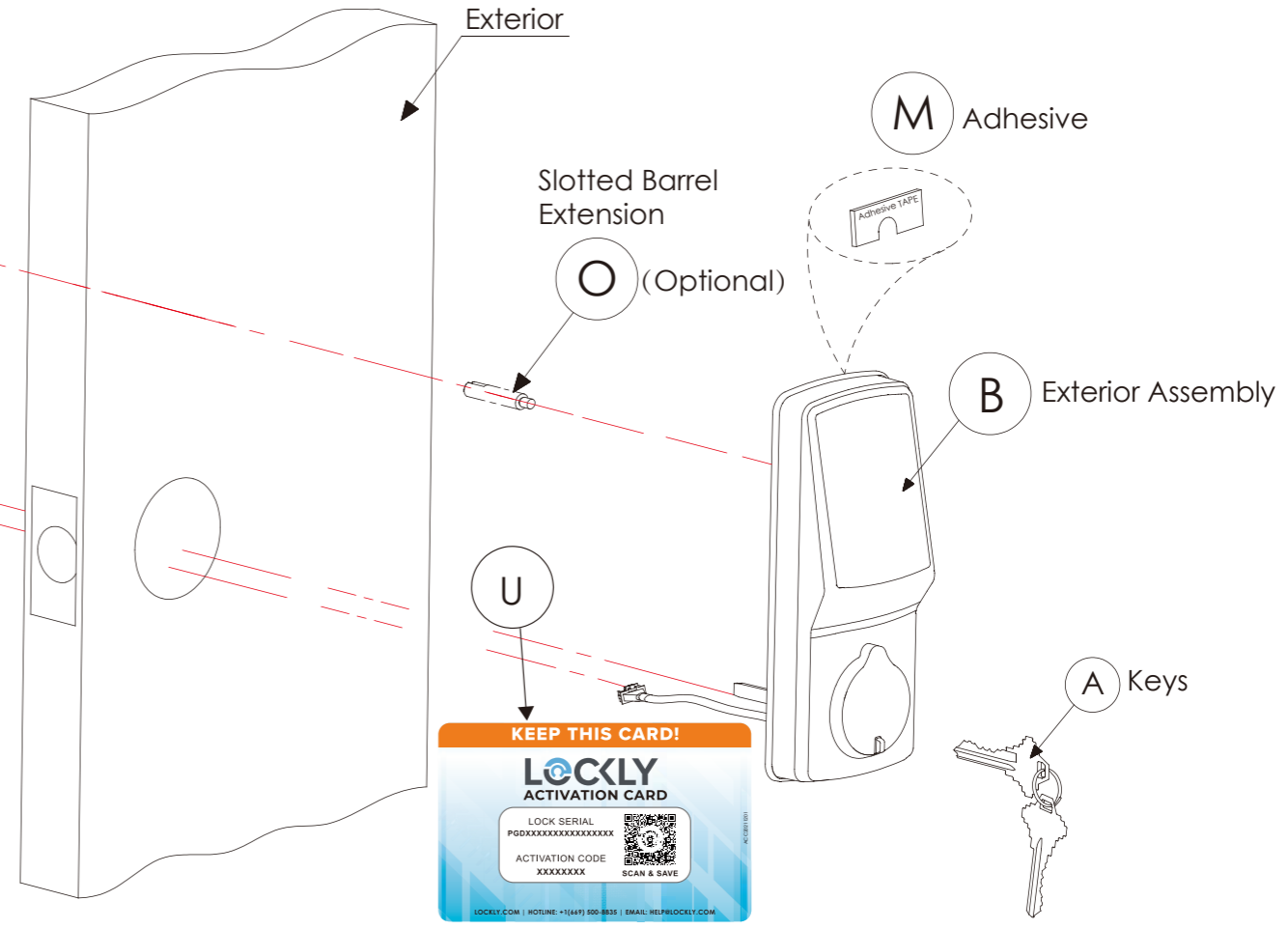


WARNING: This product can expose you to chemicals including Lead, which is known to the State of California to cause cancer. For more information go to www.P65Warnings.ca.gov.

INSTALLATION OVERVIEW & PARTS LIST



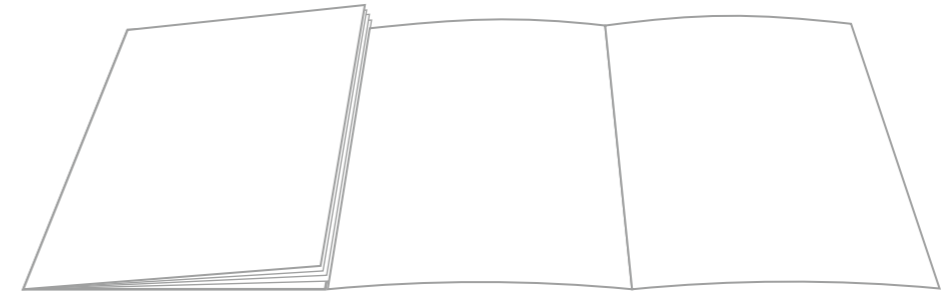
E1 PM5 x 25mm Screw, Door thickness 1-19/50"~1-69/100" (35~43mm)
E2 PM5 x 35mm Screw, Door thickness 1-69/100"~1-97/100" (43~50mm)
 NOTE: You can either use M or O to stabilize the exterior part. O requires drilling an extra hole. Use provided Template for drilling instructions if needed.



Lockly Secure Pro can be fitted for both right swing doors and left swing doors.

Connect with us

@meetlockly | #Lockly



Reference installation parts overview foldout.



For the most up to date version of this guide please visit:
[LocklyPRO.com/downloads](https://locklypro.com/downloads)



We're here to help!
Email: prosales@lockly.com

© Copyright 2021 Lockly All rights reserved

CHINA ZL 2013 1 0487970.4 | HONG KONG HK1194496 | EUROPE EP3 059689 B1 | AUSTRALIA 2013403169
RUSSIA RU2665222 | TAIWAN 621028 | KOREA10-1860096 | INDONESIA IDP000064051 | Other Patents Pending

The Bluetooth® word mark and logos are registered trademarks owned by the Bluetooth SIG, Inc. , and any use of such marks by Lockly is under license. Other trademarks and trade names are those of their respective owners. Google, Android, Google Play and Google Home are trademarks of Google LLC. , Amazon, Alexa and all related logos are trademarks of Amazon.com, Inc., or its affiliates.