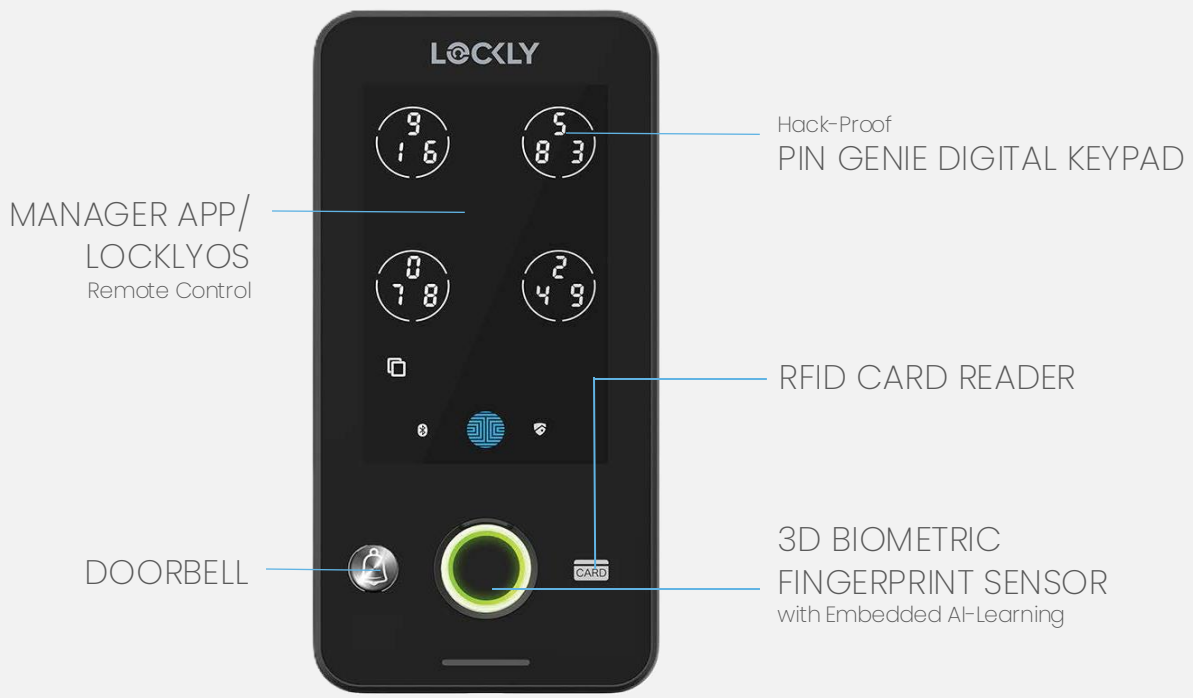


LOCKLYGUARD INGRESS PGI302WA

SMART ACCESS CONTROL
DOORBELL WITH PUSH ALERT
UNIT OWNER ACCESS

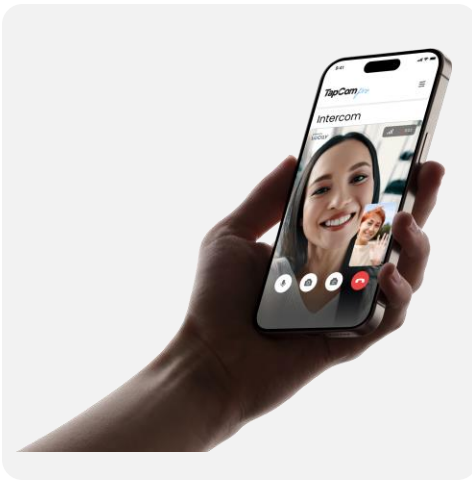


Providing security, ease, and convenience for you to manage a single unit to multiple units of households, offices, schools, or shared facilities by granting different roles, and access control to residents, employees, tenants, students or members and others.



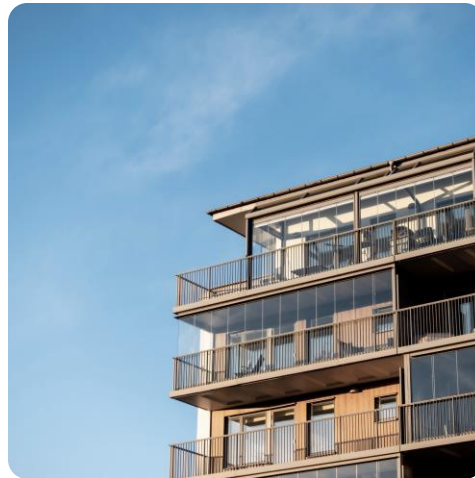
FEATURE HIGHLIGHTS

GUARD INGRESS 302WA Bluetooth and Wi-Fi Connected



TAPCOM

See, talk and unlock with HD video from anywhere, anytime.



UP TO 998 UNITS

Supports up to 998 units, with individual access and customizable privileges



AIR TRANSFER

Quickly copy user profiles and credentials between compatible Lockly devices



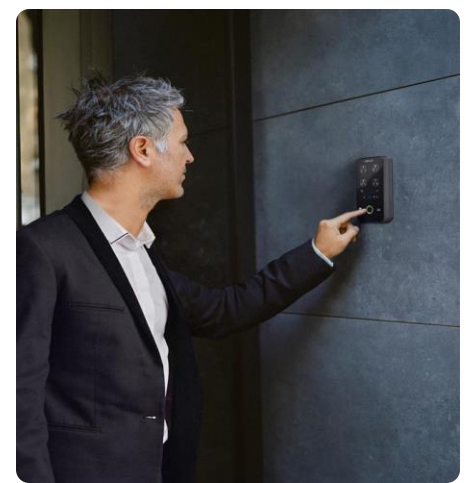
VIRTUAL DIRECTORY

No more updating the directory. Simply tap or scan, select unit and video call.



MIFARE RFID ACCESS

Revokable cards or Fob keys for quick and secured access.



SMART CONTROL

Multiple ways to control and manage your property from anywhere, anytime

MULTIPLE WAYS TO CONTROL



3D BIOMETRIC FINGERPRINT

Super fast 0.2 sec recognition with embedded AI-learning.



ACCESS CODES

6-8 digits PIN code with patented PIN Genie keypad to protect from password guessing.



APP CONTROL

Unlock with LocklyOS, Lockly Manager app or Lockly app from anywhere, anytime.



MIFARE RFID or Fob Key

Unlock with revokable RFID cards or Fob keys for fast, secured access.



EKEYS AND EBADGES

Setup unit owners and residents to unlock, no matter it is permanent, temporary or one-time.



OFFLINE ACCESS CODE

Grant one-time or recurring access even if you are not connected to the internet.



SCAN TO OPEN

Quickly unlock by scanning the unique QR code with the Lockly app.



WELCOME MODE

Keep the door unlocked during scheduled times for quick, effortless access.



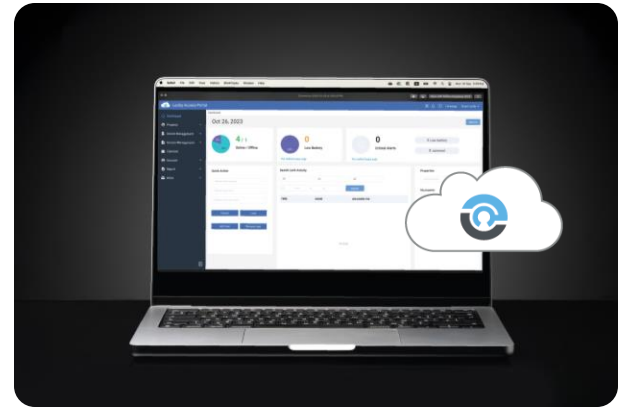
REAL-TIME NOTIFICATIONS

Get notified when someone has arrived, verify their identity with live view and unlock with app.



MANAGER & RESIDENT APP CONTROL

Our dedicated apps for property managers and residents transform buildings into better workplaces and more enjoyable places to live.



SEE THE BIG PICTURE WITH LOCKLYOS

With LocklyOS, easily manage every lock on your property. Control unit owners, grant guest access, receive alerts, conduct audits, and manage remote installations—all in one platform. Streamline operations, improve efficiency, and enhance resident satisfaction.

INSTALLATION AND RESOURCES



LOCKLY CHANNEL PARTNERS

We work with certified channel partners to support your project from installation, provisioning to providing end-user training materials.



Installation Guide



Installation Video



User Manual

ORDERING INFORMATION

1. Edition

- PGI302W** Guard Ingress (For Retrofit)
- PGI302WA** Guard Ingress (New Installation)

2. Wi-Fi Hub

- Included
- PGH222** Wi-Fi Hub

3. Power Controller Unit

- Sold separately

4. Power Converter

- Sold separately / Optional
- PGA352** 24v AC/DC to 12v DC Converter

5. Remote User Registration

- Sold separately / Optional
- PGA349** Credential Manager Encoder

6. Electromagnetic Lock

- Sold separately / Required
- PGA318DK** 396 lbs/180kg single
- PGA318SK** 396 lbs/180kg double
- PGA328DK** 617 lbs/280kg single
- PGA328SK** 617 lbs/280kg double
- PGA328DKA** 617 lbs/280kg concealed
- PGA328DKFS** 617 lbs/280kg waterproof
- PGA338DK** 837 lbs/380kg single
- PGA338SK** 837 lbs/380kg double
- PGA350DK** 1102 lbs/500kg single
- 1102 lbs/500kg double

7. RFID / Fob Key

- PGA803WH** Tag key (3pcs included)
- PGA803P** Fob key (10pcs)
- PGA803L** 1" RFID sticker (10pcs)
- PGA803LL** 2 1/2" x 1 1/2" RFID sticker (10pcs)
- PGA803S** RFID card (10pc)

8. Exit Buttons and Chimes

- Sold separately / Optional
- PGA387** Wireless Exit Button (2pcs)
- PGA385** Wired Exit Button
- PGA381** Wireless Chime

9. Outdoor Mounting Kit

- Sold separately / Optional
- PGA425** Protective Mount with Canopy
- PGA42** Protective Mount
- PGA340** Sun Visor
- PGA341** Adjustable Mount

10. Door Sensor

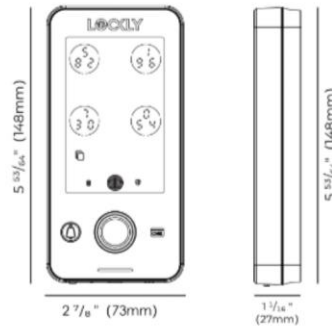
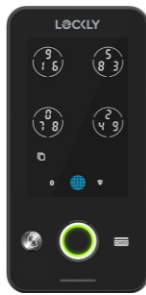
- Sold separately / Optional
- PGA383** Wireless Door Sensor

11. Transceiver

- Sold separately / Optional
- PGA300RF** Wireless Transceiver

SPECIFICATIONS

GUARD INGRESS 302WA Bluetooth and Wi-Fi Connected



Secure Link
Wi-Fi Hub for Ingress

ELECTRONIC SPECIFICATIONS

Access Codes	Stores up to 999* PIN access codes
Unit Owner Access ¹	Supports up to Free/Starter (36)/Essential (199)/Deluxe (499)/Premium(998)*
RFID/Fob key Access	Stores up to 999* MIFARE RFID/fob
Fingerprint Access	Stores up to 99 biometric fingerprints
Remotely Shareable Temporary Access	Unlimited* Offline Access Codes/ eBadges
Access Logs	Unlimited* Accessible via LocklyPro Commercial app or LocklyOST [™]
Visual and Audible	Exterior: LED (Red, Green), Configurable Lock/Unlock Audio Indicator, Intercom (Doorbell, Microphone, Speaker)
Communication Standards	BLE 4.2, Wi-Fi 2.4GHz, RF433.92MHz, Advanced Encryption Standard (AES), 256-bit
Gateway Communication Range (networked solution)	Up to 98' (30m) BLE, Up to 197' (60m) Wi-Fi, Up to 164' (50m) RF433.92MHz, Unobstructed open environment
Command Response	Responds to command from host in less than, 3 seconds when linked to Lockly Wi-Fi Hub, 0.2S on Fingerprint Recognition
Connectivity Options	LocklyPro Mobile Commercial app, LocklyOS, ALL in real-time communication
Available Signal Status	Battery Status via App, Open/Close Door Status, Bluetooth Connectivity Indicator, Sensor LED (Red/Green)
Power	DC 12V 2A (PGA300PS)
Operating Temperature	-4°F to 151°F (-20°C to 66°C)
Operating Humidity	0 - 95% non-condensing

CREDENTIAL SPECIFICATIONS

Credential Technologies	RFID Card (13.56 MHz), BLE (2.4 GHz), Wi-Fi (2.4GHz), Capacitive Sensor, Patented PIN Genie Keypad
Standards	ISO 1444
Maximum Read Range	RFID: up to 0.79'; BLE: up to 98' (30m), Wi-Fi: up to 197' (60m)
RFID/Fob Compatibility	MIFARE [®] S50
Mobile Compatibility	LocklyPro Commercial app BLE 4.2, LocklyOS

MECHANICAL SPECIFICATIONS

Reversible Handing	Yes
Materials	Alloy, ABS Plastic

CERTIFICATIONS / WARRANTY

Certifications	RoHS, FCC
Warranty	Lifetime 24/7 Technical Support, 2 -year Limited Mechanical & Finish, 2 -year Limited Electronics

DISCLAIMER: Lockly has made every effort at the time of publication to ensure the accuracy of the information provided herein, product specifications, configurations, system, components and options availability are all subject to change without notice to improve features, reliability or design or otherwise. Version: 241120-JL

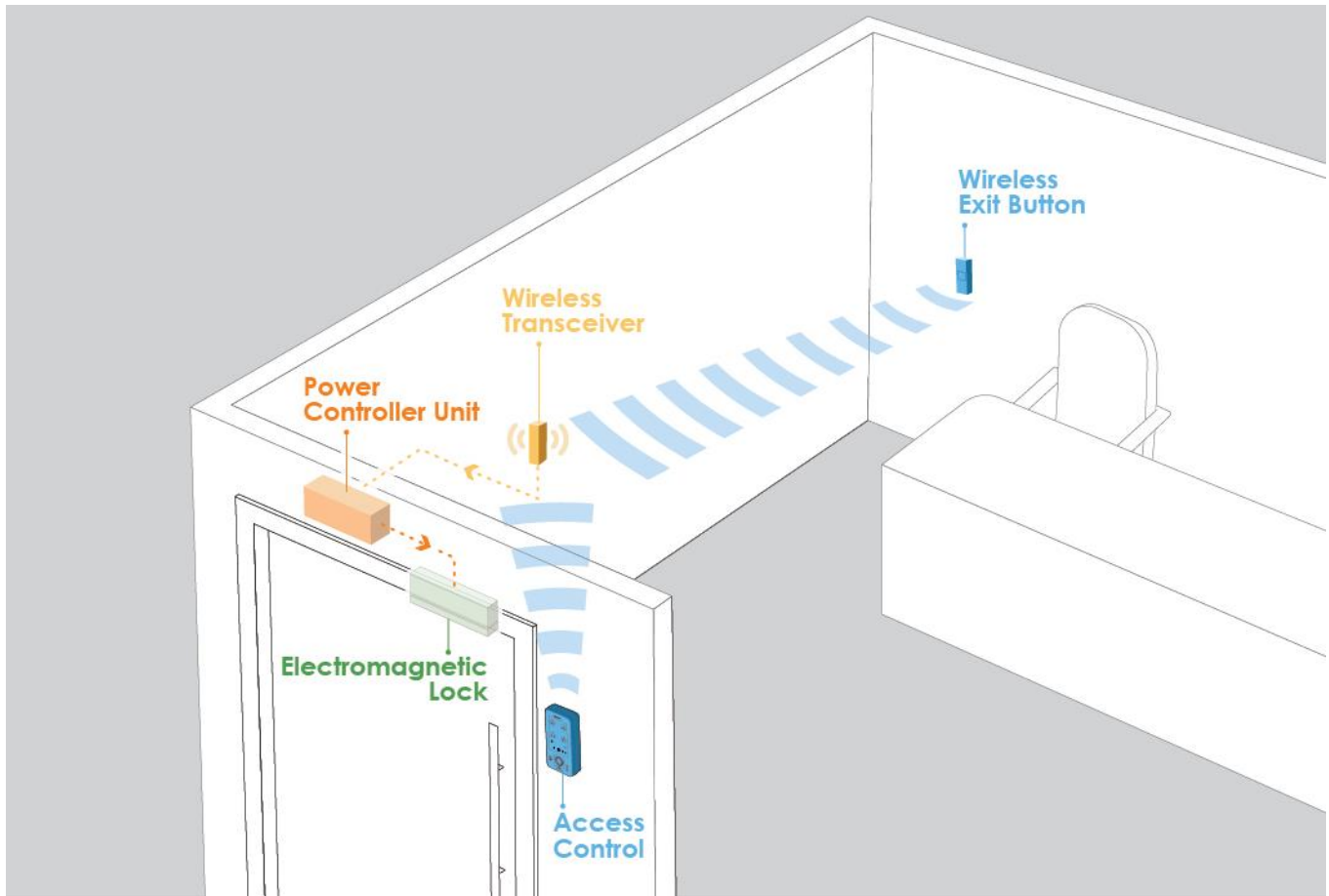
Hack-Proof Wireless Connection,
Perfect for New Builds



PGA300RF
Wireless
Transceiver



PGA387
Wireless Exit
Button



Electromagnetic
Lock

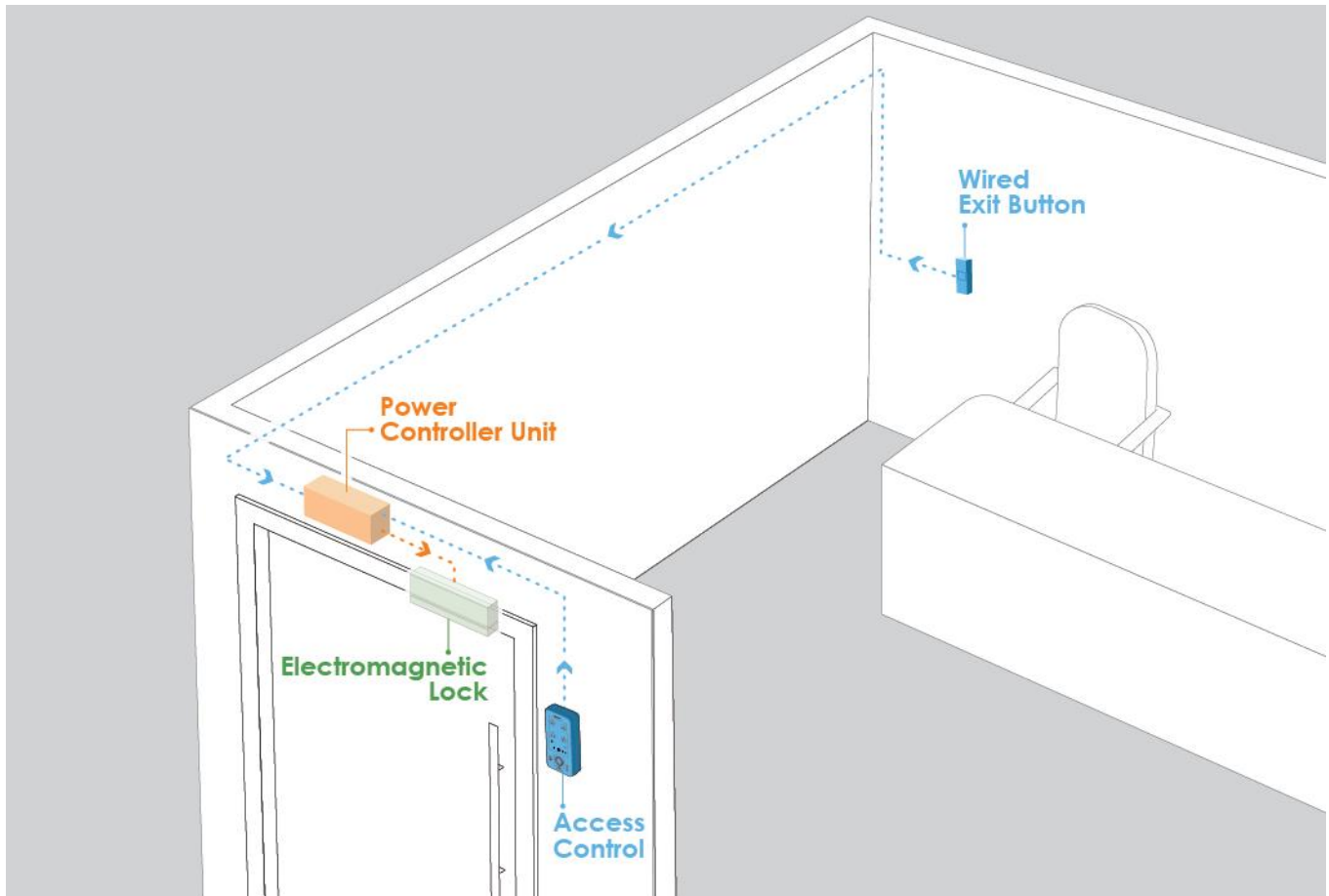


PGI302WA
Ingress

Ideal for Retrofitting: Upgrade with Existing Wiring or Replace Your Current Setup



PGA385
Wired Exit Button



Electromagnetic
Lock



PGI302W
Ingress



PGA300RF Wireless Transceiver

- Frequency: RF 433.92 MHz
- Encryption: Lockly 2.0 proprietary encryption for enhanced security
- Power Supply: Operates on 12V DC from the access control power supply
- Output: DC 12V, 0.5A
- Connection Distance: Up to 164 feet (50 meters) in unobstructed environments
- Status Indicator: LED (blue)
- Button: Program button for easy setup
- Color: White
- Material: ABS plastic



PGA381 Wireless Chime

- Frequency: RF433.92MHz (Link+)
- Power Supply: 3x AA batteries or DC5V (cable included)
- Status Light: LED (blue)
- Button: Program button
- Color: White
- Material: ABS
- Maximum Connection Distance: 164' (50m) in unobstructed environments
- Certification: FCC

Power Adapter

- Input: 100 – 240V AC
- Output: 5V / 1A
- Certifications: ETL, FCC



PGA383 Wireless Door Sensor

- Communication: Bidirectional RF433.92MHz, Lockly 2.0 proprietary encryption for enhanced security and reliability
- Installation: Simple and easy to install anywhere, operates on AAA batteries for long-lasting performance
- Status Light: LED (blue)
- Button: Program button
- Color: White
- Material: ABS
- Maximum Connection Distance: 131' (40m) in unobstructed environments



PGA387 Wireless Exit Button

- Frequency: RF433.92MHz (Link+)
- Power Supply: 1 x AAA batteries
- Maximum Connection Distance: 262' (80m) in unobstructed environments
- Material: ABS
- Color: White
- Certification: FCC



Electromagnetic Lock

- Static Linear Pull: Available in 180KG, 280KG, 380KG, and 500KG options.
- Door Status Detection: Supports monitoring of door opening and closing status.
- Safety Features:
 - Built-in reverse current protection device.
 - Multiple insulation design for enhanced safety.
- Durability:
 - Anti-residual magnetic design.
 - High-strength aluminum alloy shell with anti-wear hardening treatment.

Available Models:

- [PGA318DK](#): 180kg (396lbs) single door magnetic lock
- [PGA318SK](#): 180kg (396lbs) double door magnetic lock
- [PGA328DK](#): 280kg (617lbs) single door magnetic lock
- [PGA328SK](#): 280kg (617lbs) double door magnetic lock
- [PGA328DKA](#): 280kg (617lbs) concealed magnetic lock
- [PGA328DKFS](#): 280kg (617lbs) waterproof magnetic lock
- [PGA338DK](#): 380kg (837lbs) single door magnetic lock
- [PGA338SK](#): 380kg (837lbs) double door magnetic lock
- [PGA350DK](#): 500kg (1102lbs) single door magnetic lock
- [PGA350SK](#): 500kg (1102lbs) double door magnetic lock



PGA385 Wired Exit Button

- Cable Length: 4 meters
- Material: ABS
- Color: White
- Certification: FCC



PGA349 Credential Encoder Manager

LocklyOS Subscription Required

- Register Biometric Fingerprints
- Power Supply: 5V 200mA USB
- Cable Length: 200cm
- Material: ABS
- Certification: RoHS



PGA342S Ingress Protective Outdoor Mount with Canopy

- **Outdoor Use:** Improve INGRESS's durability with this accessory, designed to boost waterproofing, sun protection, and heat dissipation for a longer lifespan in outdoor settings.
- **Coverage:** This covers any excess space if your drilled opening is larger than INGRESS, ensuring a clean and seamless installation.
- **Durable Material:** Constructed from high-quality alloy for fast heat dissipation, this accessory is treated with an anti-rust coating to ensure durability and longevity.

- **Specifications:**
 - Material: Alloy Steel
 - Surface Treatment: Powder Coat
 - Color: Silvery
- **Dimensions:**
 - 10.4" x 6.2" x 3" (265 x 157 x 75.5mm)

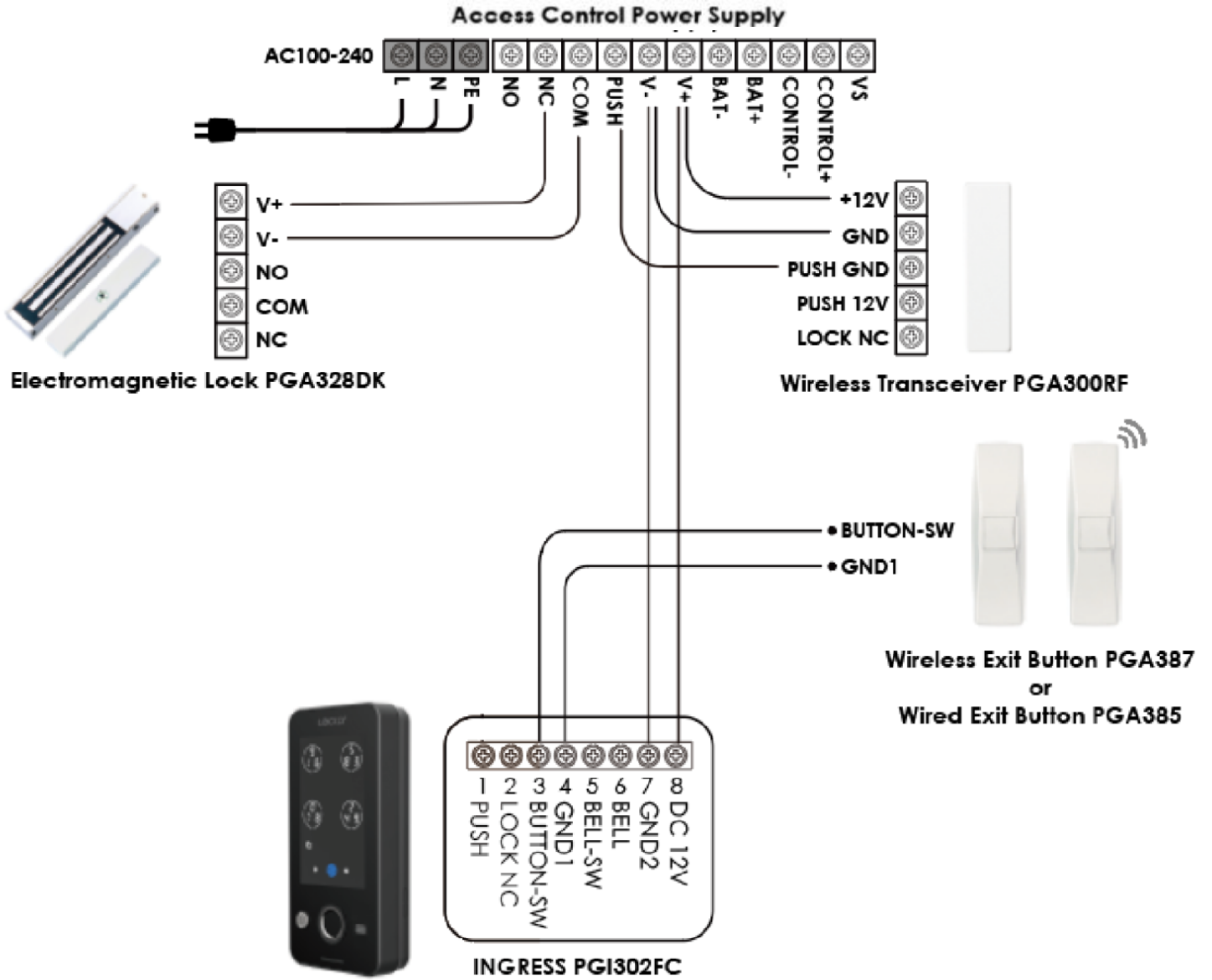


PGA342 Ingress Protective Outdoor Mount

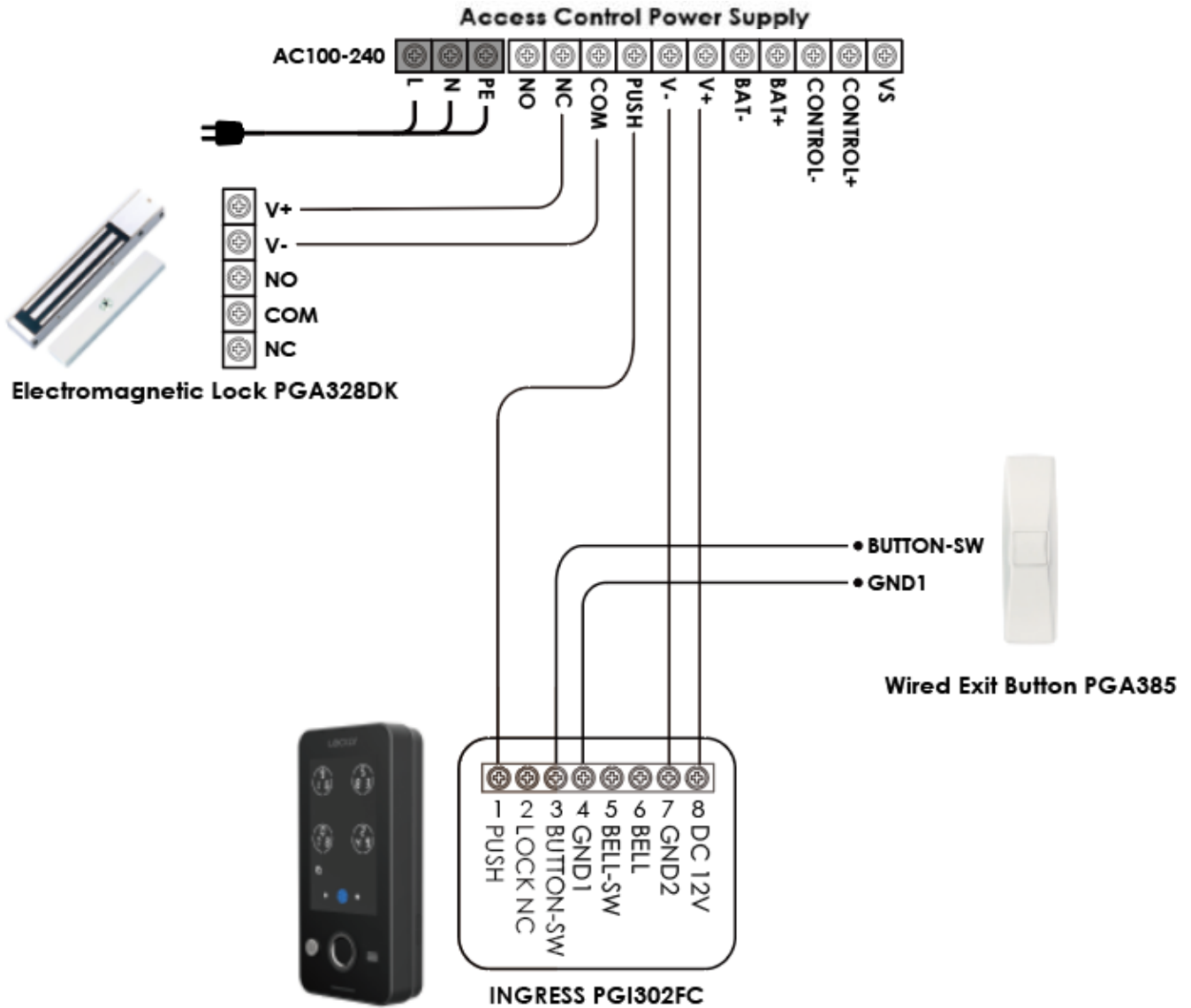
- **Outdoor Use:** Improve INGRESS's durability with this accessory, designed to boost waterproofing, sun protection, and heat dissipation for a longer lifespan in outdoor settings.
- **Coverage:** This covers any excess space if your drilled opening is larger than INGRESS, ensuring a clean and seamless installation.
- **Durable Material:** Constructed from high-quality alloy for fast heat dissipation, this accessory is treated with an anti-rust coating to ensure durability and longevity.

- **Specifications:**
 - Material: Alloy Steel
 - Surface Treatment: Powder Coat
 - Color: Silvery
- **Dimensions:**
 - 10.4" x 6.2" x 3" (265 x 157 x 75.5mm)

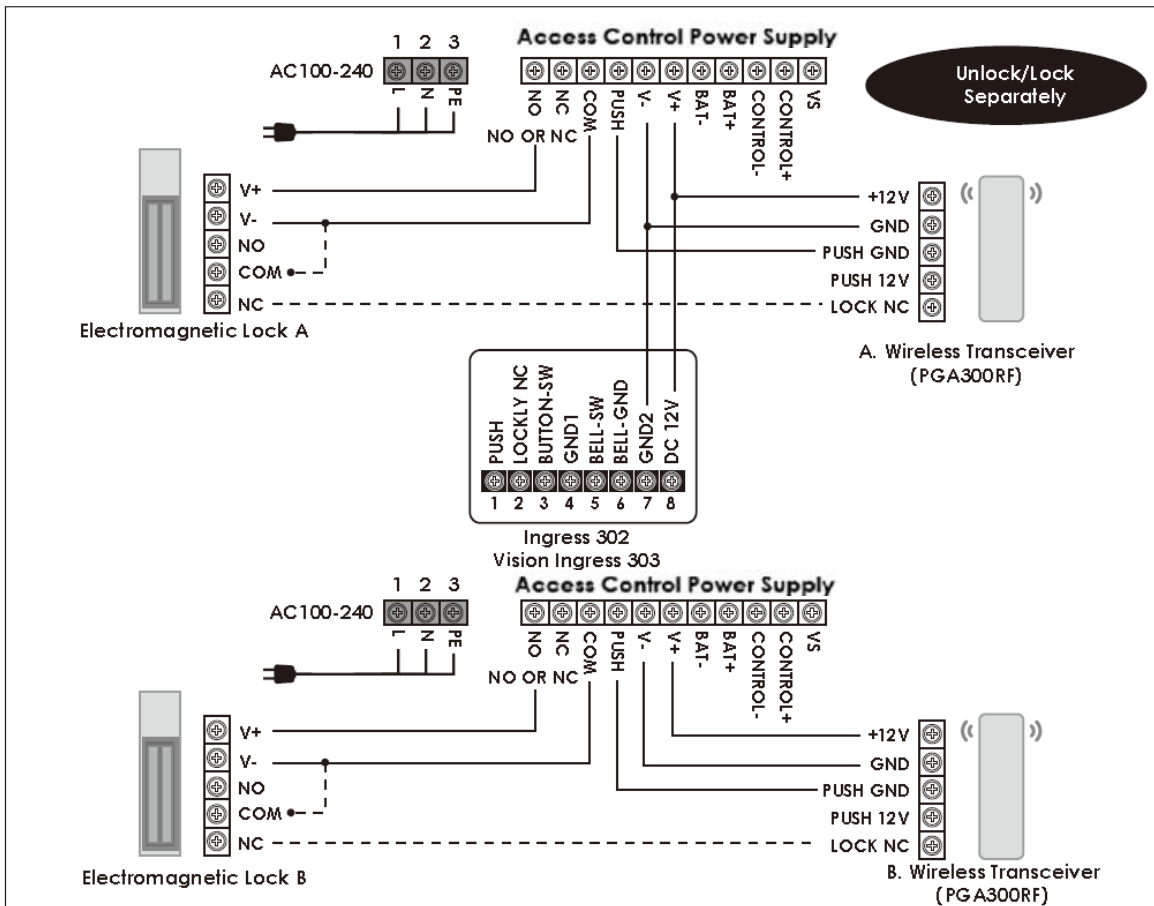
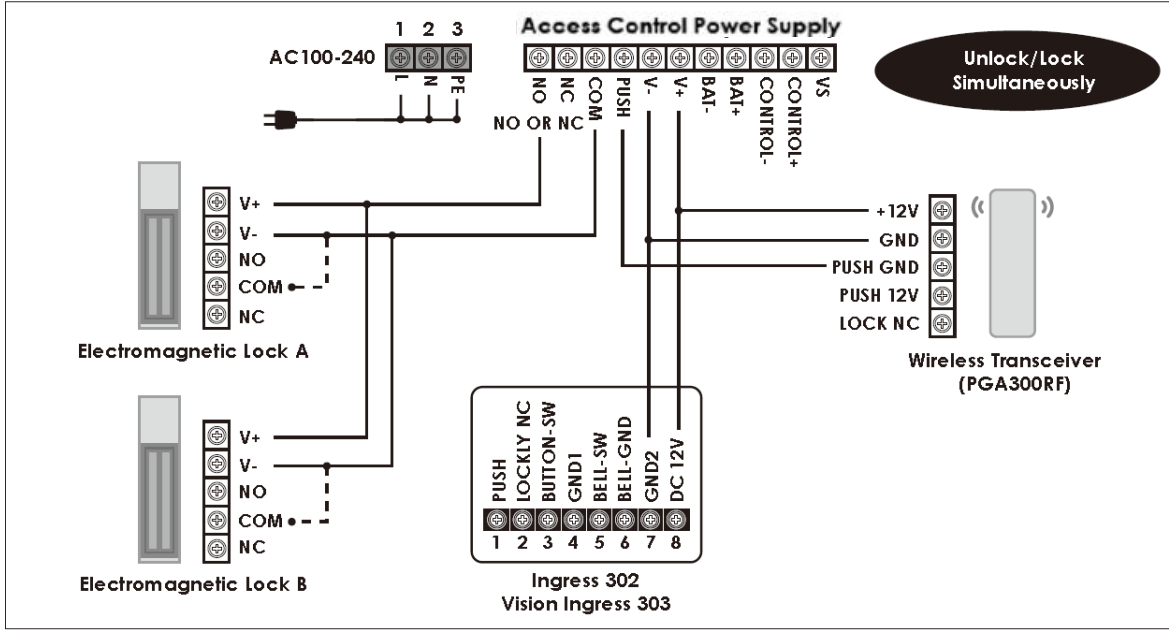
WIRELESS
INSTALLATION



WIRED
INSTALLATION

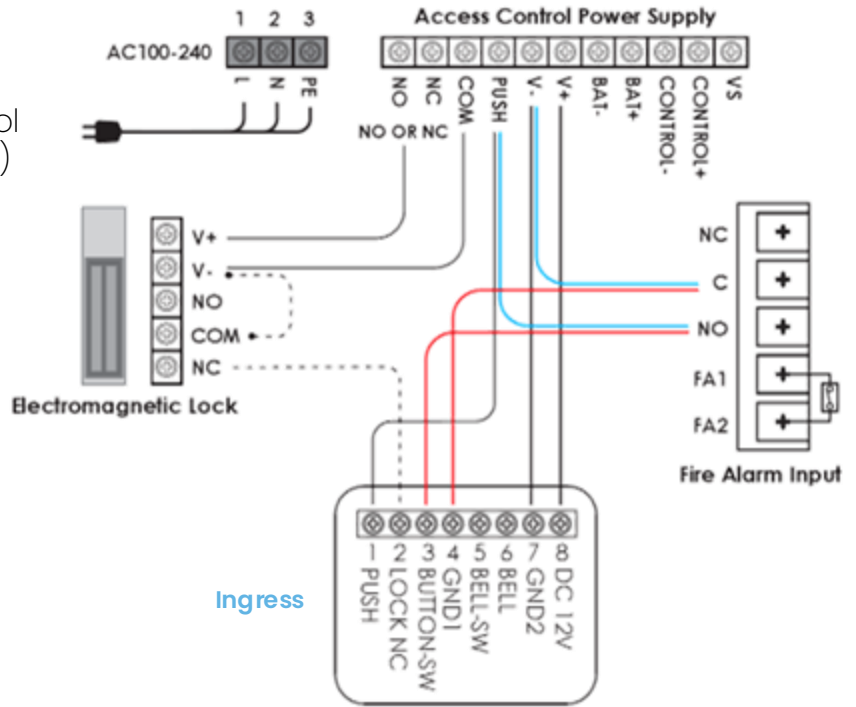


DOUBLE DOOR INSTALLATION

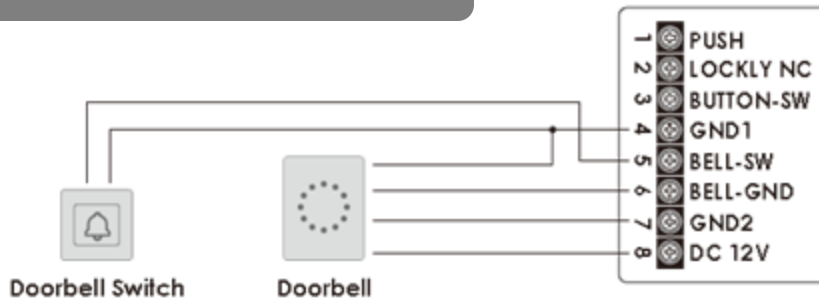


OPTIONAL FIRE ALARM INSTALLATION

Standard fire alarms with COM and NO output ports can be connected to the Access Control Power Supply or Ingress (PGI302)



OPTIONAL DOORBELL INSTALLATION



OPTIONAL WEIGAND READER INSTALLATION

