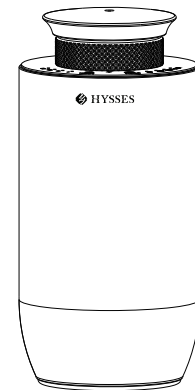


# MANUAL GUIDE



HYSSES NOIR NEBULISER

## Product Introduction

NOIR Nebuliser features a sleek, minimalist design with clean lines and a refined silhouette. Crafted from premium aviation-grade aluminium, it is lightweight, durable, and elegantly finished. Equipped with atomisation technology, it delivers efficient, residue-free diffusion with effortless operation. Its anti-leak design helps prevent essential oil leakage, even if accidentally tipped over. Perfect for bedrooms, living rooms, studies, offices, or cars, NOIR creates a sophisticated aromatic ambience while elevating your everyday wellness experience.

## Safety Instructions

Please read this instruction manual carefully before using the NOIR Nebuliser and keep it for future reference.

- ⚠ Do not use overloaded power sockets, damaged power cables, or faulty adapters, as these may pose safety risks or cause fire hazards. Replace any damaged components immediately.
- ⚠ Do not modify, disassemble, or attempt to repair the nebuliser yourself, as this may result in equipment damage or personal injury.
- ⚠ Always keep the nebuliser upright during operation. Do not place it upside down or tilt it while in use.
- ⚠ Before transporting the nebuliser, empty any remaining essential oil, then clean and maintain the nebuliser according to the maintenance instructions to prevent oil leakage and internal damage.
- ⚠ Clean and maintain the nebuliser regularly to ensure optimal performance and extend its lifespan.



Use Safe Power Supply



Do Not Disassemble



Keep Upright

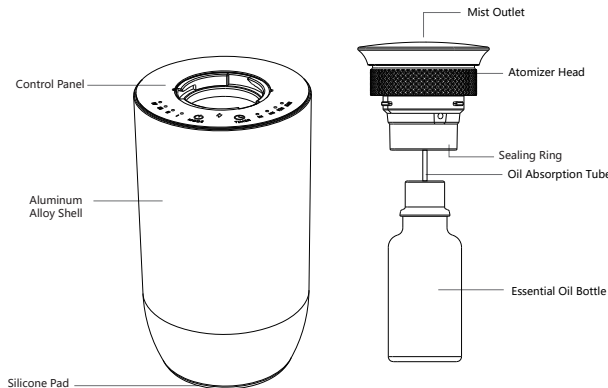


Regular Cleaning and Maintenance

## Special Instructions for Essential Oil Use

- Before refilling with essential oil, switch off the nebuliser and wait for 2 minutes. Allow the oil inside the atomising head to flow back before unscrewing the essential oil bottle.
- It is recommended to add only an amount of essential oil that can be used within 7 days, to minimise oxidation and preserve the quality of the oil.

## Product Structure



## Product Parameters

Product Name: NOIR Nebuliser  
Product Size:  $\phi 70 \times 145.5$ mm  
Product Weight: 0.35kg  
Packing Size: 201  $\times$  100  $\times$  85mm  
Battery Capacity: 2000mAh  
Rated Power: 2W

Essential Oil Capacity: 10ml  
Coverage Area: 100m<sup>2</sup>  
Noise:  $\leq 40$ dB  
Main Material: Aluminum Alloy

## Control Panel

- ① Power/Speed Level Key: Turns the device on/off and adjusts between Level 1, Level 2, Level 3, and Level 4.
- ② Level 1 Indicator Light: Works for 15 seconds, pauses for 200 seconds.
- ③ Level 2 Indicator Light: Works for 15 seconds, pauses for 100 seconds.
- ④ Level 3 Indicator Light: Works for 15 seconds, pauses for 60 seconds.
- ⑤ Level 4 Indicator Light: Works for 60 seconds, pauses for 120 seconds.
- ⑥ Battery Indicator Light
- ⑦ Timer Key: Selects timing modes of 1 hour, 4 hours, 12 hours, and vehicle start/stop.
- ⑧ Indicator Light: For 1-hour timing.
- ⑨ Indicator Light: For 4-hour timing.
- ⑩ Indicator Light: For 12-hour timing.
- ⑪ Indicator Light: For start/stop function.

## Installation Guide

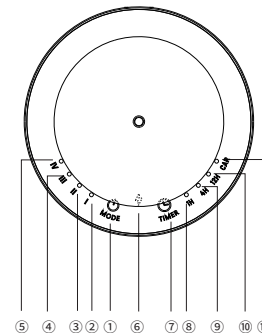


1. Rotate the atomiser counterclockwise to remove the atomiser head.
2. Unscrew the essential oil bottle, then fill it with HYSSES essential oil
3. Reinstall the atomiser head and start operation.

## Accessories

- Nebuliser Body x 1
- Atomiser Head x 1
- Warranty Card x 1
- Type-C Cable x 1
- 10ml Essential Oil Bottle (empty) x 2
- Essential Oil Dropper x 1

Essential oils and Cleaning Solution are sold separately



## Operation Instructions

1. Connect the nebuliser to a power supply or ensure the battery is fully charged before use.
2. Long-press the MODE key to turn the nebuliser on or off.
3. Nebuliser Status Indicators:
  - Charging: The battery indicator light flashes blue in a breathing rhythm.
  - Fully charged: The battery indicator light remains blue.
  - Low battery: The battery indicator light remains red.
  - Insufficient power: The battery indicator light flashes red.
4. Start/Stop Mode:
  - Press the Timer key to select CAR mode to activate the Start/Stop Mode.
  - Once activated, the nebuliser detects vibrations and operates according to the preset cycle: 5 seconds of operation followed by 175 seconds of pause.
  - Each cycle consists of both operating and pausing periods, totalling 3 minutes.
  - After each cycle, the nebuliser returns to vibration detection mode.

## Cleaning & Maintenance

To ensure the product is in good condition, please do a thorough cleaning and maintenance for the machine on a twice-a-week basis using the following steps:

1. Remove the essential oil bottle after usage.
2. Pour 10ml of HYSSES Cleaning Solution into the existing emptied and cleaned essential oil bottle. Alternatively, you may pour the cleaning solution into another empty essential oil bottle (10ml) and fit it back to the atomiser.
3. Switch on the machine and let it run for 10 minutes.
4. When everything is done, switch off the power.
5. Pour away the excess HYSSES Cleaning Solution and add in your choice of essential oil.

## Warranty

To activate your 1-month warranty, please refer to the warranty card provided. For in-store purchases, our retail team will assist with warranty registration.

For online purchases, please email the following details together with a photo of your warranty card to [online.orders@hysse.com](mailto:online.orders@hysse.com):

- Full name
- Email address
- Contact number
- Order number

Once we receive your details, your warranty will be successfully activated.